

TECHNISCHE INFORMATION NR. SI 36-080

HINWEIS: Technische Informationen werden **nur** verwendet um:
1) Informationen von DAI an unsere Kunden weiterzugeben.
2) Informationen / Dokumente von unseren Zulieferern mit zusätzlichen Informationen an unsere Kunden weiterzugeben.
Typischerweise unterstehen Technische Informationen keinem Revisionsdienst. Neue Informationen oder Änderungen derer werden durch eine neue Technische Information weitergegeben.

SERVICE INFORMATION NO. SI 36-080

NOTE: SI's are used **only**:
1) To distribute information from DAI to our customers.
2) To distribute applicable information / documents from our suppliers to our customers with additional information.
Typically there is no revision service for SI's. Each new information or change of that will be send along with a new SI.

I. TECHNISCHE ANGABEN

1.1 Betroffene Flugzeuge:

Alle HK 36 R, TC, TS

1.2 Gegenstand

ATA Code: 73-00

Rotax Alert Service Bulletin ASB-912-061R1

1.3 Anlass

Rotax hat das Alert Service Bulletin ASB-912-061R1 herausgegeben, das den Austausch des druckseitigen Kraftstoffschlauches an der Kraftstoffpumpe bei einer bestimmten Teilenummer vorschreibt. Das ASB-912-061R1 revidiert ASB-912-061 datiert am 26-Mai-2012.

I. TECHNICAL DETAILS

1.1 Airplanes affected:

All HK 36 R, TC, TS

1.2 Subject

ATA Code: 73-00

Rotax Alert Service Bulletin ASB-912-061R1

1.3 Reason

Rotax has issued Alert Service Bulletin ASB-912-061R1 prescribing replacement of the pressure side fuel hose at fuel pumps with a certain part number. ASB-912-061R1 revises ASB-912-061 dated 26-May-2012.

1.4 Information

Weitere technische Informationen sind im Rotax Alert Service Bulletin ASB-912-061R1 enthalten, welche ohne weitere Ergänzungen und Einschränkungen anwendbar ist.

II. SONSTIGES

Bei etwaigen Fragen kontaktieren Sie bitte BRP-Powertrain GmbH & Co. KG.

Rotax Alert Service Bulletin ASB-912-061R1 liegt dieser Technischen Information bei.

1.4 Information

For detailed technical information refer to Rotax Alert Service Bulletin ASB-912-061R1 which is applicable without any further additions or restrictions.

II. OTHER INFORMATION

In case of doubt contact BRP-Powertrain GmbH & Co. KG

Rotax Alert Service Bulletin ASB-912-061R1 is attached to this Service Information.



| This ASB revises ASB-912-061 dated 26 May 2012

ALERT SERVICE BULLETIN

Replacement of the pressure side fuel hose at fuel pump part no. 893114 for ROTAX® Engine Type 912 (Series)

ATA System: 73-00-00 Fuel system

VORGESCHRIEBEN

Symbols used:

Please, pay attention to the following symbols throughout this document emphasizing particular information.

General note



Identifies an instruction which, if not followed, may cause serious injury or even fatal injury.



Identifies an instruction which, if not followed, may cause minor or moderate injury.



Denotes an instruction which if not followed, may severely damage the engine or could lead to suspension of warranty.

ENVIRONMENT NOTE

Environment note gives you tips and behaviors to environmental protection.

NOTE:

Information useful for better handling.



A revision bar outside of the page margin indicates a change to text or graphic.

ALERT SERVICE BULLETIN

1) Planning information

1.1) Applicability

All versions of the engine type:

Engine type	Serial number
912 A2	S/N 4,410.956
912 F3	from S/N 4,413.000 up to S/N 4,413.002 inclusive / S/N 4,413.005 up to S/N 4,413.007 inclusive
912 S2	from S/N 4,924.331 up to S/N 4,924.334 inclusive / S/N 4,924.356 up to S/N 4,924.358 inclusive / S/N 4,924.378 up to S/N 4,924.381 inclusive / S/N 4,924.385 up to S/N 4, 924.386 inclusive / S/N 4,924.391/
912 S3	from S/N 4,924.354 up to S/N 4,924.355 inclusive / S/N 4,924.366 up to S/N 4,924.377 inclusive / S/N 4,924.382 up to S/N 4,924.384 inclusive / S/N 4,924.387 up to S/N 4,924.390 inclusive / S/N 4,924.392 up to S/N 4,924.402 inclusive /

if they are equipped with the genuine ROTAX® fuel pump part no. 893114.
See Fig. 1

In addition, are also affected, all fuel pumps part no. 893114
with S/N 12.0261/12.0262/11.3117 up to 11.3122 inclusive/11.3124 up to 11.3127 inclusive/
11.3131 up to 11.3135 inclusive/11.3140/11.3142/11.3145/11.3156/11.3158 up to 11.3160 inclu-
sive/11.3174/11.3175/11.3186 up to 11.3225 inclusive/11.3252/11.3267 up to 11.3270 inclusive/
11.3297 up to 11.3300 inclusive/11.3302 up to 11.3305 inclusive/11.4036 up to 11.4155 inclusive/
11.4157/11.4159/11.4164/11.4186 up to 11.4195 inclusive/11.4206 up to 11.4235 inclusive/
11.4244 up to 11.4246 inclusive/11.4256 up to 11.4265 inclusive/11.4284/11.4306 up to 11.4316
inclusive/11.4318/11.4319/11.4321/11.4322/11.4327/11.4331 up to 11.4335 inclusive/11.4516/
11.4545/11.4549 up to 11.4552 inclusive/11.4554/11.4555/11.4566 up to 11.4585 inclusive,
delivered as spare parts or installed at engine maintenance/general overhaul.

NOTE: Fuel pumps part no. 893114 with the following serial number (S/N) that were
installed in the above-mentioned engine and delivered as spare parts are
also affected.

S/N 11.3117 up to S/N 11.3325 inclusive
S/N 11.4036 up to S/N 11.4355 inclusive
S/N 11.4516 up to S/N 11.4595 inclusive
S/N 12.0251 up to S/N 12.0270 inclusive

1.2) Concurrent ASB/SB/SI and SL

None

1.3) Reason

Due to variations in the manufacturing of the fuel hose, rubber particles may become detached.
These particles can interfere or suppress the fuel mixture in the carburetor. This disturbance in the
fuel mixture may lead to rough engine operation, engine misfire and can cause an engine shut
down.

d05137.fm

ALERT SERVICE BULLETIN

1.4) Subject

Replacement of the pressure side fuel hose at fuel pump part number 893114 for ROTAX® engine type 912 (Series).

1.5) Compliance

- **Required before the next flight, the "replacement of the pressure side fuel hose" identified by the engine or fuel pump serial number (S/N) listed in section 1.1) must be conducted according to the following instructions in section 3.**



Non-compliance with these instructions could result in engine damages, personal injuries or even fatal injury.

1.6) Approval

The technical content of this document is approved under the authority of DOA ref.EASA.21J.048.

1.7) Manpower

Estimated man-hours:

Engine installed in the aircraft - - - manpower time will depend on installation and therefore no estimate is available from the engine manufacturer.

1.8) Mass data

Change of weight - - none.

Moment of inertia- - - unaffected.

1.9) Electrical load data

No change

1.10) Software accomplishment summary

No change

1.11) References

In addition to this technical information refer to current issue of

- Illustrated Parts Catalog (IPC)
- Maintenance Manual (MM)

NOTE:

The status of Manuals can be determined by checking the table of amendments of the Manual. The 1st column of this table is the revision status. Compare this number to that listed on the ROTAX WebSite: www.FLYROTAX.com. Updates and current revisions can be downloaded for free.

1.12) Other publications affected

None

1.13) Interchangeability of parts

- All used parts and spare parts which cannot be used must be returned F.O.B to a ROTAX® Authorized Distributors or their Service Center.

d05137.fm

ALERT SERVICE BULLETIN

2) Material Information

2.1) Material- cost and availability

Price and availability and any possible support consideration will be supplied on request by ROTAX® Authorized Distributors or their Service Center.

2.2) Company support information

- Redundant parts must be returned F.O.B to a ROTAX® Authorized Distributors or their Service Center.
- Shipping cost, down time, loss of income, telephone costs etc. or cost of conversion to other engine versions or additional work, as for instance simultaneous engine overhaul is not covered in this scope and will not be borne or reimbursed by ROTAX®.

2.3) Material requirement per engine

parts requirement:

Fig. Pos. no.	New part no.	Qty/ engine	Description	Old part no.	Application
2, 9	874336	1	Fuel hose assy.	874335	Fuel pump assy. part no. 893114 (pressure side)
11	250425	1	Gasket ring A10x14	230150	Fuel hose
8	-	3	Gasket ring A8x13/0.8	950143	Clamp block

2.4) Material requirement per spare part

None

2.5) Rework of parts

None

2.6) Special tooling/lubricant-/adhesives-/sealing compound

Price and availability will be supplied on request by ROTAX® Authorized Distributors or their Service Centers.

d05137.fm

ALERT SERVICE BULLETIN

3) Accomplishment / Instructions

NOTE: Before maintenance, review the entire documentation to make sure you have a complete understanding of the procedure and requirements.

Accomplishment

All the measure must be taken and confirmed by at least one of the following person or facilities:

- ROTAX® - Airworthiness representative
- ROTAX® - Distributors or their Service Center
- Persons approved by the respective Aviation Authority

NOTE: All work has to be performed in accordance with the relevant Maintenance Manual.

Safety notice

WARNING Proceed with this work only in a non-smoking area and not close to sparks or open flames. Switch off ignition and secure engine against unintentional operation. Secure aircraft against unauthorized operation. Disconnect negative terminal of aircraft battery.

WARNING Risk of scalds and burns! Allow engine to cool sufficiently and use appropriate safety gear while performing work.

NOTICE Should removal of a locking device (e.g. lock tabs, self-locking fasteners, etc.) be required when undergoing disassembly/assembly, always replace with a new one.

3.1) Inspection of carburetor

General

Several carburetors have been found with contamination (dirt, remains of rubber from fuel lines etc.) in the float chamber.

WARNING This contamination could possibly cause a partial or complete blockage of the idle or main jet or of other ducts vital for operation, leading to poor performance or stoppage of engine.

3.1.1) Possible shortcomings in the fuel system

- Dirt in the fuel system
- Missing or unsuitable fuel filter
- Clogged fuel filter
- Unsuitable fuel lines
- Dirt in fuel manifold
- Poor float chamber venting
- Insufficient flushing of the fuel system prior to initial engine operation
- Fuel pressure too low or too high
- Unsuitable fuel tanks and tank coatings
- Contaminated float chambers (e.g. corrosion caused by high water content in the fuel)

d05137.fm

ALERT SERVICE BULLETIN

3.1.2) Inspection of float chamber

See Fig. 2.

ENVIRONMENT NOTE

Be careful that no fuel enters the sewerage system or the soil. Risk of contamination of drinking water!

The inspection of the float chamber must be performed on both carburetors.

NOTICE

At the following work tasks pay special attention to cleanliness. Contamination, which may be caused during the inspection process, could lead to engine malfunction.

Step	Procedure
1	Remove drip tray (1) - if equipped.
2	Perform visual check on carburetors and its actuation.
3	Open spring clip (2).
4	Remove float chamber (3) including gasket (4) and both floats (5).
5	Check float chamber for contamination.

NOTICE

In case of contaminations of the float chambers first the cause must be found and the relevant measures need to be taken. Possibly the whole fuel system including carburetors needs to be cleaned and checked.

Step	Procedure
6	Install float chamber (3) including gasket (4) and both floats (5).
7	Close spring clip (2).
8	Install drip tray (1) - if equipped.

ALERT SERVICE BULLETIN

3.2) Replacement of the fuel hose assy. part no. 874335

Safety notice



Risks of scalds and burns! Allow engine to cool sufficiently and use appropriate safety gear while performing work.



Proceed with this work only in a non-smoking area and not close to sparks or open flames. Switch off ignition and secure engine against unintentional operation. Secure aircraft against unauthorized operation. Disconnect negative terminal of aircraft battery.

3.2.1) Disassembling fuel hose

See Fig. 2.

Step	Procedure
1	Remove banjo bolt (6) from clamp block (7) together with 3 gasket rings (8).
2	Remove the fuel hose (9).
3	Remove the fuel hose (9) from the fuel pump (10) together with gasket ring (11).

ENVIRONMENT NOTE

Be careful that no fuel enters the sewerage system or the soil. Risk of contamination of drinking water!

3.2.2) Checking of the fuel pump

See Fig. 2

Step	Procedure
1	Inspection of the thread (12) from the fuel pump and remove possible sealing materials.
2	Clean and degrease thread (12) of the fuel pump.

3.2.3) Assembling fuel hose assy. part no. 874336

See Fig. 2

Step	Procedure
1	Install the new fuel hose (9) and new gasket ring A 10x14 (11) with LOCTITE 243 on the fuel pump. Tightening torque 10 Nm (90 in.lb).
2	Install fuel hose (9) and the banjo bolt (6) with new gasket ring (8) on the clamp block (7). Tightening torque of banjo bolt (6) 10 Nm (90 in.lb). Check that the fuel hose is not under strain or tension.

- Restore aircraft to original operating configuration.
- Connect negative terminal of aircraft battery.

d05137.fm

ALERT SERVICE BULLETIN

3.3) Test run

Conduct test run including ignition check and leakage test.

3.4) Inspection of float chamber

See chap. 3.1.2).

3.5) Summary

Optionally check the fuel hoses that run from clamp block to tank respectively remove and purge them with fuel

These instructions (section 3) have to be conducted in accordance with compliance in section 1.5. The execution of the mandatory Alert Service Bulletin must be confirmed in the logbook.

Approval of translation to best knowledge and judgement-in any case the original text in German language and the metric units (SI-system) are authoritative.

3.6) Enquiries

Enquiries regarding this Service Letter/Instruction/Bulletin should be referred to the ROTAX® authorized distributor of your area. A list of all distributors is provided on www.FLYROTAX.com.

ALERT SERVICE BULLETIN

4) Appendix

the following illustrations should convey additional information:

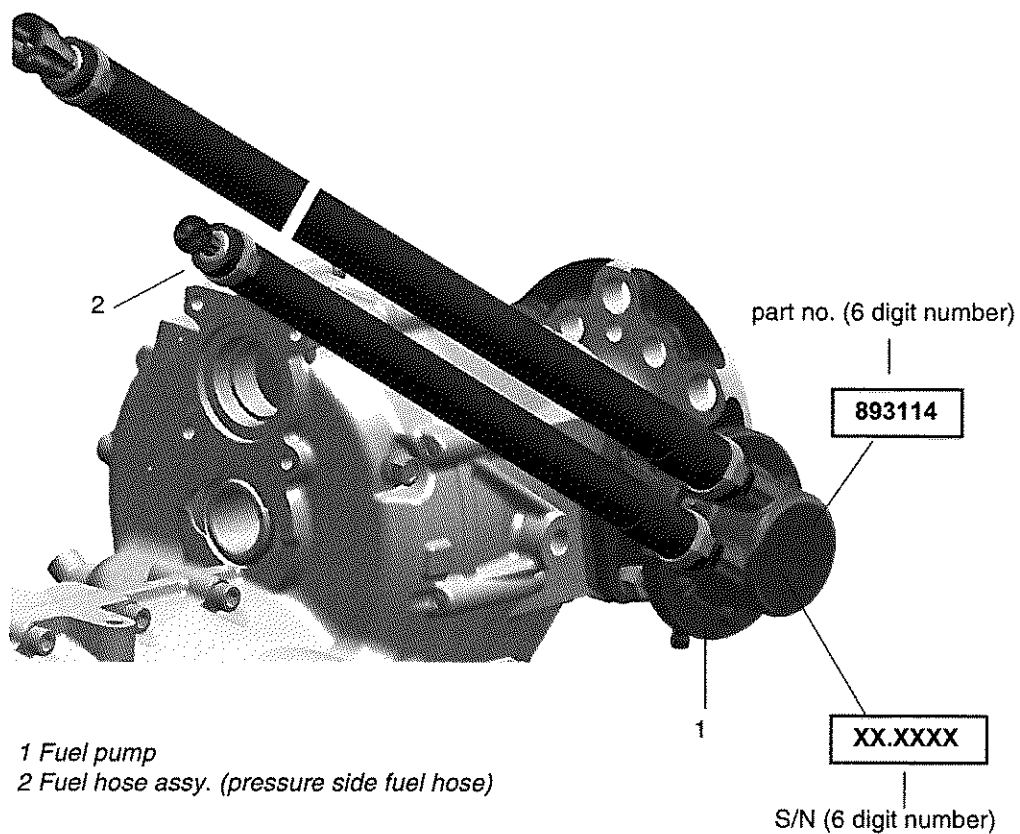
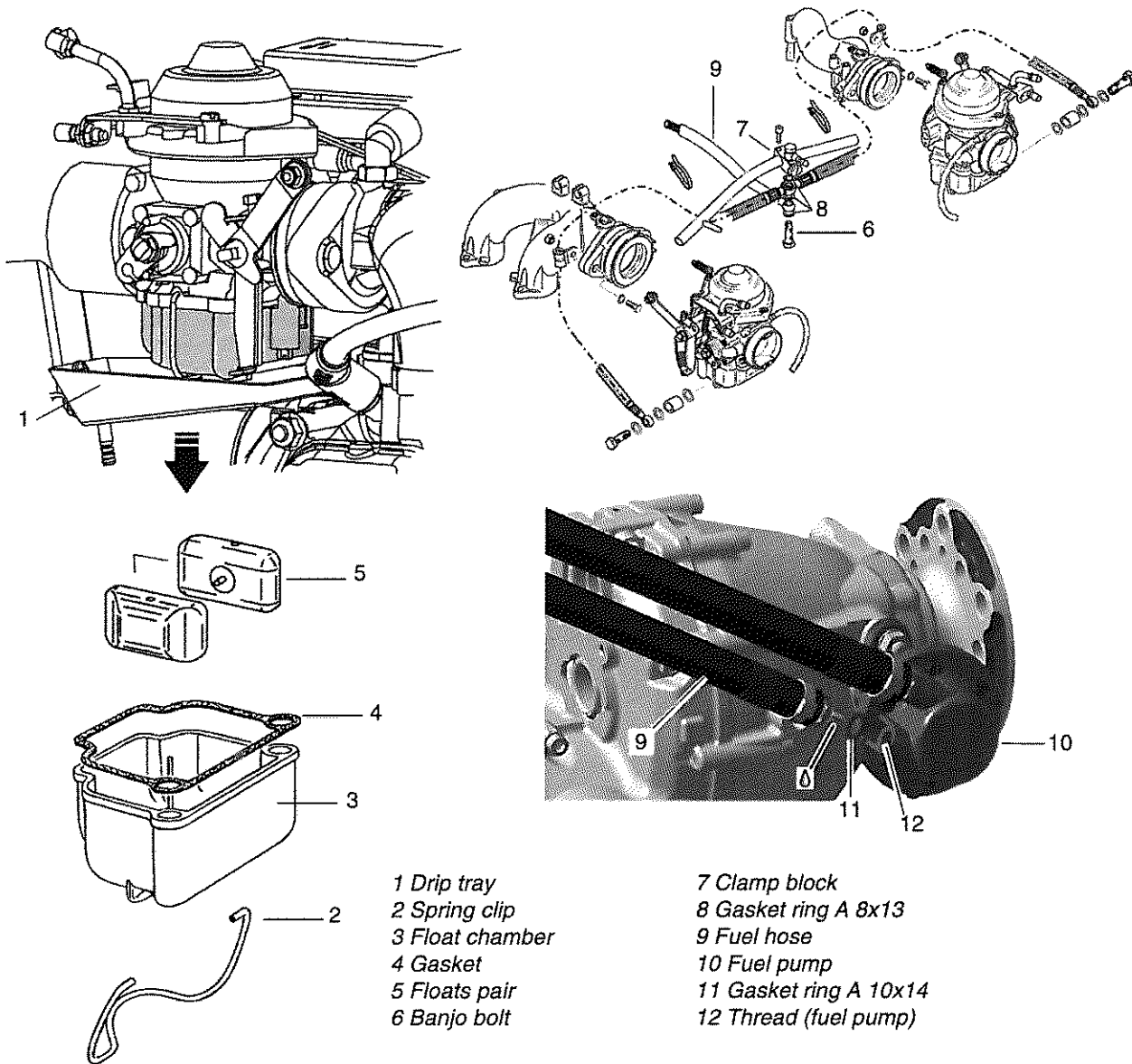


Fig. 1
Fuel pump

09749

d05137.fm

ALERT SERVICE BULLETIN



- 1 Drip tray
- 2 Spring clip
- 3 Float chamber
- 4 Gasket
- 5 Floats pair
- 6 Banjo bolt

- 7 Clamp block
- 8 Gasket ring A 8x13
- 9 Fuel hose
- 10 Fuel pump
- 11 Gasket ring A 10x14
- 12 Thread (fuel pump)

Fig. 2
Carburetor, Fuel pump

09748, 09747, 09745

NOTE:

The illustrations in this document show the typical construction. They may not represent full detail or the exact shape of the parts which have the same or similar function.

Exploded views are **not technical drawings** and are for reference only. For specific detail, refer to the current documents of the respective engine type.

d05137.fm



ALERT SERVICE BULLETIN

Austausch des druckseitigen Kraftstoffschlauches der Kraftstoffpumpe TNr. 893114 für ROTAX® Motor Type 912 (Serie)

ATA System: 73-00-00 Kraftstoffsystem

VORGESCHRIEBEN

Wiederkehrende Symbole:

Bitte beachten Sie die folgenden Symbole, die Sie durch dieses Dokument begleiten.

Allgemein



WARNUNG

Vorsichtsregeln und -maßnahmen, deren Nichtbeachtung zu schweren Verletzungen oder Tod führen kann.



VORSICHT

Vorsichtsregeln und -maßnahmen, deren Nichtbeachtung zu leichte oder geringfügige Verletzungen führen kann.

ACHTUNG

Besondere Hinweise und Vorsichtsmaßnahmen, deren Nichtbeachtung zu Beschädigungen des Motors und zum Gewährleistungsauschluss führen kann.

UMWELTHINWEIS

Der Umwelthinweis gibt Ihnen Tipps und Verhaltensweisen zum Thema Umweltschutz.

HINWEIS:

Besondere Hinweise zur besseren Handhabung.

Änderungen im Text und in Grafiken sind an der Änderungslinie am Rand des Satzspiegels ersichtlic.

ALERT SERVICE BULLETIN

1) Planungsangaben

1.1) Betreff

Alle Motoren der Type:

Motortype	Serialnummer
912 A2	S/N 4,410.956
912 F3	Ab S/N 4,413.000 bis inklusive S/N 4,413.002 / S/N 4,413.005 bis inklusive S/N 4,413.007
912 S2	Ab S/N 4,924.331 bis inklusive S/N 4,924.334 / S/N 4,924.356 bis inklusive S/N 4,924.358 / S/N 4,924.378 bis inklusive S/N 4,924.381 / S/N 4,924.385 bis inklusive S/N 4, 924.386 / S/N 4,924.391/
912 S3	Ab S/N 4,924.354 bis inklusive S/N 4,924.355 / S/N 4,924.366 bis inklusive S/N 4,924.377 / S/N 4,924.382 bis inklusive S/N 4,924.384 / S/N 4,924.387 bis inklusive S/N 4,924.390 / S/N 4,924.392 bis inklusive S/N 4,924.402 /

sofern diese mit der ORIGINAL ROTAX® Kraftstoffpumpe TNr. 893114 ausgestattet sind.
Siehe dazu Bild 1.

Weiters sind alle jene Kraftstoffpumpen TNr. 893114 mit S/N 12.0261/12.0262/11.3117 bis inklusive 11.3122/11.3124 bis inklusive 11.3127/11.3131 bis inklusive 11.3135/11.3140/11.3142/11.3145/11.3156/11.3158 bis inklusive 11.3160/11.3174/11.3175/11.3186 bis inklusive 11.3225/11.3252/11.3267 bis inklusive 11.3270/11.3297 bis inklusive 11.3300/11.3302 bis inklusive 11.3305/11.4036 bis inklusive 11.4155/11.4157/11.4159/11.4164/11.4186 bis inklusive 11.4195/11.4206 bis inklusive 11.4235/11.4244 bis inklusive 11.4246/11.4256 bis inklusive 11.4265/11.4284/11.4306 bis inklusive 11.4316/11.4318/11.4319/11.4321/11.4322/11.4327/11.4331 bis inklusive 11.4335/11.4516/11.4545/11.4549 bis inklusive 11.4552/11.4554/11.4555/11.4566 bis inklusive 11.4585 betroffen, die als Ersatzteil oder im Zuge einer Instandsetzung/Grundüberholung eingebaut wurden.

HINWEIS: Kraftstoffpumpen mit TNr. 893114, mit den nachfolgenden Serial Nummern (S/N), wurden bei den oberhalb angeführten Motoren verbaut und als Ersatzteile geliefert und sind daher vom Austausch betroffen:

S/N 11.3117 bis inklusive S/N 11.3325
S/N 11.4036 bis inklusive S/N 11.4355
S/N 11.4516 bis inklusive S/N 11.4595
S/N 12.0251 bis inklusive S/N 12.0270

1.2) Zusätzlich zu berücksichtigende ASB/SB/SI und SL

Keine

1.3) Anlass

Aufgrund von Abweichungen im Herstellprozess des betroffenen Kraftstoffschlauchs, kann es zu Ablösungen von Gummipartikeln kommen. Diese Partikel können die Gemischaufbereitung im Vergaser behindern bzw. unterbinden. Diese Störung in der Gemischbildung führt unter Umständen zu rauem Motorlauf, Motoraussetzer und eventuell zum Motorstillstand.

d05134.fm

ALERT SERVICE BULLETIN

1.4) Gegenstand

Austausch des druckseitigen Kraftstoffschlauches der Kraftstoffpumpe TNr. 893114 für ROTAX® Motor Type 912 (Serie).

1.5) Fristen

- **Vor dem nächsten Flug, ist ein „Austausch des druckseitigen Kraftstoffschlauches“, der unter Betreff 1.1 angeführten Motoren bzw. Kraftstoffpumpen, gemäß nachstehender Arbeitsanweisung Kap. 3 durchzuführen.**



Nichtbeachtung dieser Anweisung kann zu Motor- und Personenschaden oder Tod führen!

1.6) Genehmigung

Der technische Inhalt dieses Dokuments ist aufgrund von DOA Nr. EASA.21J.048 zugelassen.

1.7) Arbeitszeit

Geschätzte Arbeitszeit:

Im Flugzeug - - einbauabhängig und somit keine Angaben vom Motorenhersteller möglich.

1.8) Gewichte und Momente

Gewichtsänderung - - keine.

Massenträgheitsmoment - - - keine Änderung.

1.9) Elektrische Belastung

Keine Änderung

1.10) Softwareänderungen

Keine Änderung

1.11) Querverweise

Ergänzend zu dieser Information sind nachfolgende Dokumente in der letztgültigen Ausgabe zu beachten.

- Ersatzteilkatalog (ETK)
- Wartungshandbuch (WHB)

HINWEIS:

Der Status der Handbücher kann anhand der Änderungsübersicht des Handbuches festgestellt werden. Die erste Spalte dieser Tabelle zeigt den Revisionsstatus.

Diese Zahl sollte mit der Revisionsangabe auf der ROTAX® Website: www.FLYROTAX.com verglichen werden. Änderungen und aktuelle Revisionen können kostenfrei heruntergeladen werden.

1.12) Betroffene Dokumentation

Keine

1.13) Austauschbarkeit der Teile

- Alle Alt- und Ersatzteile sind nicht mehr verwendbar und frachtfrei an den ROTAX® autorisierten Vertriebspartner bzw. deren Service Center zu senden.

d05134.fm

ALERT SERVICE BULLETIN

2) Materialinformation

2.1) Material-Preis und Verfügbarkeit

Preise, Verfügbarkeit und etwaige Unterstützung werden auf Anfrage vom ROTAX® autorisierten Vertriebspartner bzw. deren Service Center bekannt gegeben.

2.2) Firmenunterstützungsinformation

- Ausgetauschte Teile sind frachtfrei an einen von ROTAX® autorisierten Vertriebspartner bzw. deren Service Center zurückzusenden.
- Transportkosten, Stillstandskosten, Verdienstentgang, Telefonkosten etc. oder Umbaukosten auf andere Motorversionen oder zusätzliche Arbeiten, die nicht in den Rahmen dieser Mitteilung fallen wie z. B. gleichzeitiges Durchführen einer Grundüberholung werden von ROTAX® nicht getragen und nicht ersetzt.

2.3) Teileumfang pro Motor

Erforderlicher Teileumfang:

Bild Pos. Nr.	Neue TNr.	Menge /Motor	Bezeichnung	Alte TNr.	Verwendung
2, 9	874336	1	Kraftstoffschlauch kpl.	874335	Kraftstoffpumpe kpl. TNr. 893114 (Druckseite)
11	250425	1	Dichtring A 10x14	230150	Kraftstoffschlauch
8	-	3	Dichtring A 8x13	950143	Klemmstück

2.4) Material pro Ersatzteil

Keiner

2.5) Nacharbeitsteile

Keine

2.6) Spezialwerkzeug/ Schmier-/ Kleb-/Dichtmittel- Preis und Verfügbarkeit

Preise und Verfügbarkeit werden auf Anfrage vom ROTAX® autorisierten Vertriebspartner bzw. deren Service Center bekannt gegeben.

ALERT SERVICE BULLETIN

3) Durchführung/Arbeitsanweisungen

HINWEIS: Vor den Wartungsarbeiten, lesen Sie bitte das gesamte Dokument sorgfältig durch und stellen Sie sicher, dass Sie die Anweisungen und Anforderungen komplett verstehen.

Durchführung Die Maßnahmen sind von einer der nachstehenden Personen bzw. Organisationen durchzuführen und zu bescheinigen:

- ROTAX® - Airworthiness Beauftragte
- ROTAX® - Vertriebspartner bzw. deren Service Center
- Personen mit entsprechender luftfahrtbehördlicher Genehmigung

HINWEIS: Sämtliche Arbeiten sind gemäß entsprechendem Wartungshandbuch durchzuführen.

Sicherheitsinformationen



Diese Arbeiten nicht bei offenem Feuer, Rauchen, Funkenbildung etc. durchführen! Zündung „AUS“ und Motor gegen ungewollte Inbetriebnahme sichern. Fluggerät gegen ungewollte Inbetriebnahme absichern. Minuspol der Bordbatterie abklemmen.



Gefahr von Verbrennung! Motor abkühlen lassen und entsprechende Sicherheitsausrüstung verwenden.



Sollte während dem Zerlegevorgang/Zusammenbau das Entfernen einer Sicherungseinrichtung (wie z. B. Drahtsicherung, selbstsichernde Schraube, etc.) notwendig sein, so ist diese immer durch eine Neue zu ersetzen.

3.1) Kontrolle der Vergaser

Allgemein Bei einigen Vergasern wurde Verunreinigung (Schmutz, Gummireste von Benzinleitungen usw.) in der Schwimmerkammer festgestellt.



Diese Ablagerungen können möglicherweise Leerlauf- oder Hauptdüse, sowie andere funktionswichtige Kanäle teilweise oder komplett blockieren und zu Leistungsverlust oder Motorstopp führen.

3.1.1) Mögliche Fehler im Kraftstoffsystem

- Ablagerungen im Kraftstoffsystem
- Fehlender oder ungeeigneter Kraftstofffilter
- Verstopfte Kraftstofffilter
- Ungeeignete Kraftstoffleitungen
- Schmutz im Kraftstoffverteiler
- Ungeeignete Schwimmerkammerbelüftung
- Unzureichende Spülung des Kraftstoffsystems vor der Erstinbetriebnahme
- Kraftstoffdruck zu niedrig bzw. zu hoch
- Ungeeignete Kraftstofftanks bzw. Tankbeschichtungen
- Verunreinigte Schwimmerkammern (z. B. Korrosion verursacht durch erhöhten Wasseranteil im Kraftstoff)

ALERT SERVICE BULLETIN

3.1.2) Kontrolle der Schwimmerkammer

Siehe dazu Bild 2.

UMWELTHINWEIS

Darauf achten, dass kein Kraftstoff in die Kanalisation oder in den Erdboden eindringt - Gefahr von Trinkwasserverseuchung!

Die Überprüfung der Schwimmerkammer ist an jedem der beiden Vergaser durchzuführen.

ACHTUNG

Bei den nachfolgenden Arbeiten speziell auf Sauberkeit achten. Verunreinigungen, welche möglicherweise auch im Zuge der Kontrollarbeiten verursacht werden, können zu Motorstörungen führen.

Schritt	Vorgehen
1	Tropftasse (1) abnehmen-falls vorhanden.
2	Sichtkontrolle des Vergasers und dessen Betätigungen.
3	Federbügel (2) öffnen.
4	Schwimmergehäuse (3) samt Dichtung (4) und die beiden Schwimmer (5) abnehmen.
5	Schwimmergehäuse auf Verunreinigungen kontrollieren.

ACHTUNG

Bei Verunreinigung der Schwimmergehäuse ist zuerst die Ursache festzustellen und die notwendigen Abstellmaßnahmen einzuleiten. Möglicherweise ist das gesamte Kraftstoffsystem inkl. Vergaser zu reinigen und zu kontrollieren.

Schritt	Vorgehen
6	Schwimmergehäuse (3) samt Dichtung (4) und die beiden Schwimmer (5) montieren.
7	Federbügel (2) schließen.
8	Tropftasse (1) montieren - falls vorhanden.

ALERT SERVICE BULLETIN

3.2) Austausch des Kraftstoffschlauches kpl. TNr. 874335

Sicherheitsin- formationen



Gefahr von Verbrennung! Motor abkühlen lassen und entsprechende Sicherheitsausrüstung verwenden.



Diese Arbeiten nicht bei offenem Feuer, Rauchen, Funkenbildung etc. durchführen! Zündung „AUS“ und Motor gegen ungewollte Inbetriebnahme sichern. Fluggerät gegen ungewollte Inbetriebnahme absichern. Minuspol der Bordbatterie abklemmen.

3.2.1) Demontage des Kraftstoffschlauches

Siehe dazu Bild 2.

Schritt	Vorgehen
1	Untere Hohlschraube (6) vom Klemmstück (7) abschrauben und samt 3 Dichtungen (8) entfernen.
2	Kraftstoffschlauch (9) abnehmen.
3	Kraftstoffschlauch (9) von der Kraftstoffpumpe (10) samt Dichtring (11) abschrauben.

UMWELTHINWEIS

Darauf achten, dass kein Kraftstoff in die Kanalisation oder in den Erdboden eindringt - Gefahr von Trinkwasserverseuchung!

3.2.2) Kontrolle der Kraftstoffpumpe

Siehe dazu Bild 2

Schritt	Vorgehen
1	Anschlussgewinde (12) der Kraftstoffpumpe kontrollieren und gegebenenfalls Dichtungsreste entfernen.
2	Anschlussgewinde (12) der Kraftstoffpumpe entsprechend reinigen und entfetten.

3.2.3) Montage des Kraftstoffschlauches kpl. TNr. 874336

Siehe dazu Bild 2

Schritt	Vorgehen
1	An der Kraftstoffpumpe den neuen Kraftstoffschlauch (9) mit LOCTITE 243 sichern und mit einem neuen Dichtring A 10x14 (11) montieren. Anzugsdrehmoment 10 Nm.
2	Kraftstoffschlauch (9) spannungsfrei verlegen und mit Hohlschraube (6) samt neuen Dichtringen (8) am Klemmstück (7) montieren. Anzugsdrehmoment der Hohlschraube (6) 10 Nm.

- Originalbetriebszustand des Luftfahrzeuges wiederherstellen.
- Minuspol der Bordbatterie anklemmen.

d05134.fm

ALERT SERVICE BULLETIN

3.3) Probelauf

Motorprüflauf mit Magnetcheck und Dichtheitskontrolle durchführen.

3.4) Kontrolle der Schwimmerkammer

Siehe dazu Kap. 3.1.2).

3.5) Zusammenfassung

Eventuell sind Kraftstoffleitungen, die vom Klemmstück zum Tank führen, ebenfalls zu kontrollieren beziehungsweise zu demontieren und mit Kraftstoff zu spülen.

Die Arbeitsanweisung (Kap. 3) ist entsprechend der Fristen (Kap. 1.5) durchzuführen. Die Durchführung des vorgeschriebenen Alert Service Bulletins ist im Logbuch zu bestätigen.

3.6) Anfragen

Anfragen betreffend dieser Alert Service Bulletin an den nächsten autorisierten Vertriebs- und Servicepartner für ROTAX®-Flugmotoren. Ein Liste aller Vertriebspartner ist verfügbar auf www.FLYROTAX.com.

ALERT SERVICE BULLETIN

4) Anhang

Folgende Zeichnungen sollen zusätzliche Information bieten:

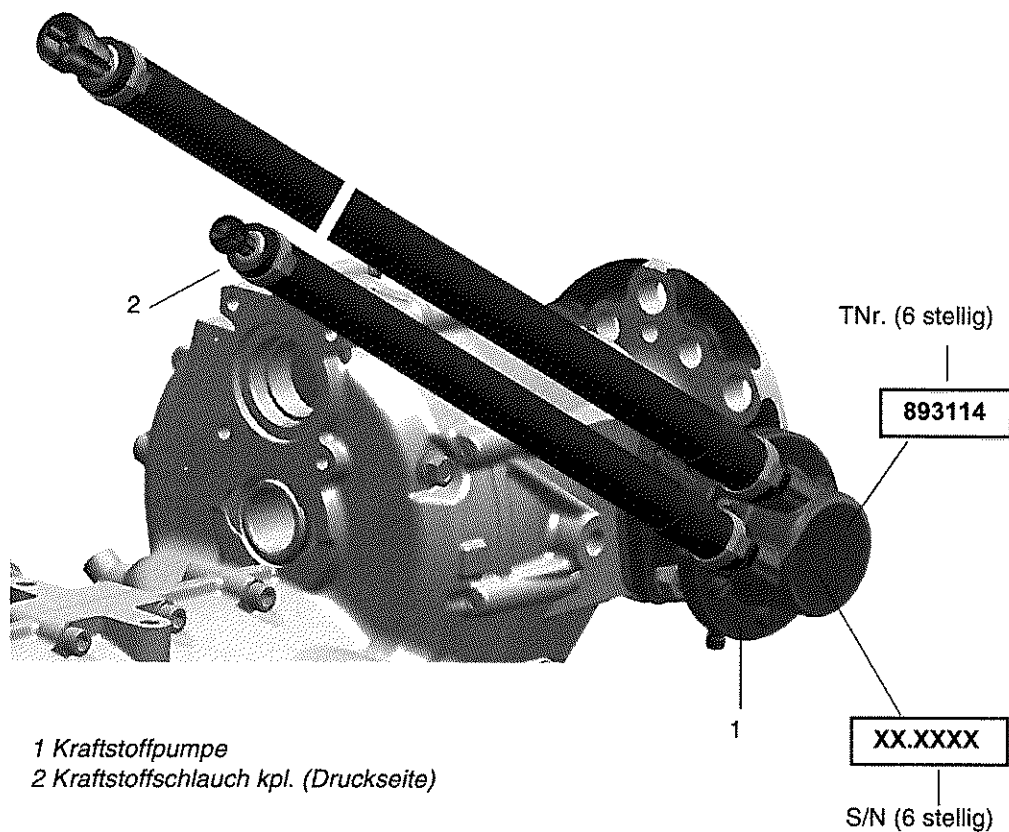
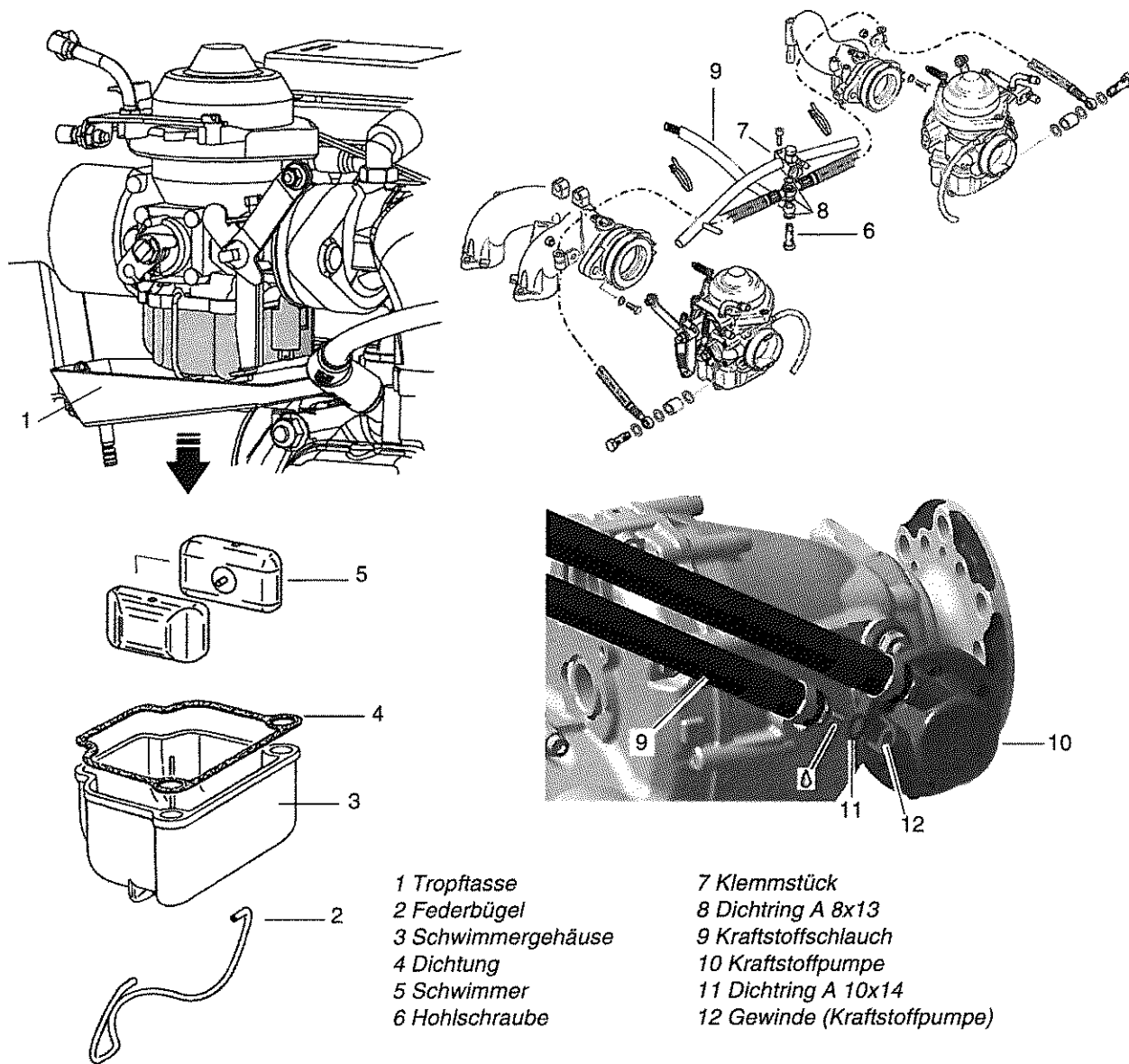


Bild 1
Kraftstoffpumpe

09749

d05134.fm

ALERT SERVICE BULLETIN



- | | |
|--------------------|------------------------------|
| 1 Tropfasse | 7 Klemmstück |
| 2 Federbügel | 8 Dichtring A 8x13 |
| 3 Schwimmergehäuse | 9 Kraftstoffschlauch |
| 4 Dichtung | 10 Kraftstoffpumpe |
| 5 Schwimmer | 11 Dichtring A 10x14 |
| 6 Hohlsschraube | 12 Gewinde (Kraftstoffpumpe) |

Bild 2

09748,09747, 09745

Vergaser, Kraftstoffpumpe

HINWEIS:

Die Illustrationen in diesem Dokument zeigen eine typische Ausführung. Möglicherweise entsprechen sie nicht in jedem Detail oder in der Form dem tatsächlichen Teil, stellen aber Teile gleicher oder ähnlicher Funktion dar. Unsere Explosionszeichnungen sind **keine technischen Zeichnungen** und sollen lediglich zur Anschaulichkeit dienen. Spezielle Daten sind den letztgültigen Dokumenten der jeweiligen Motortype zu entnehmen.

d05134.fm