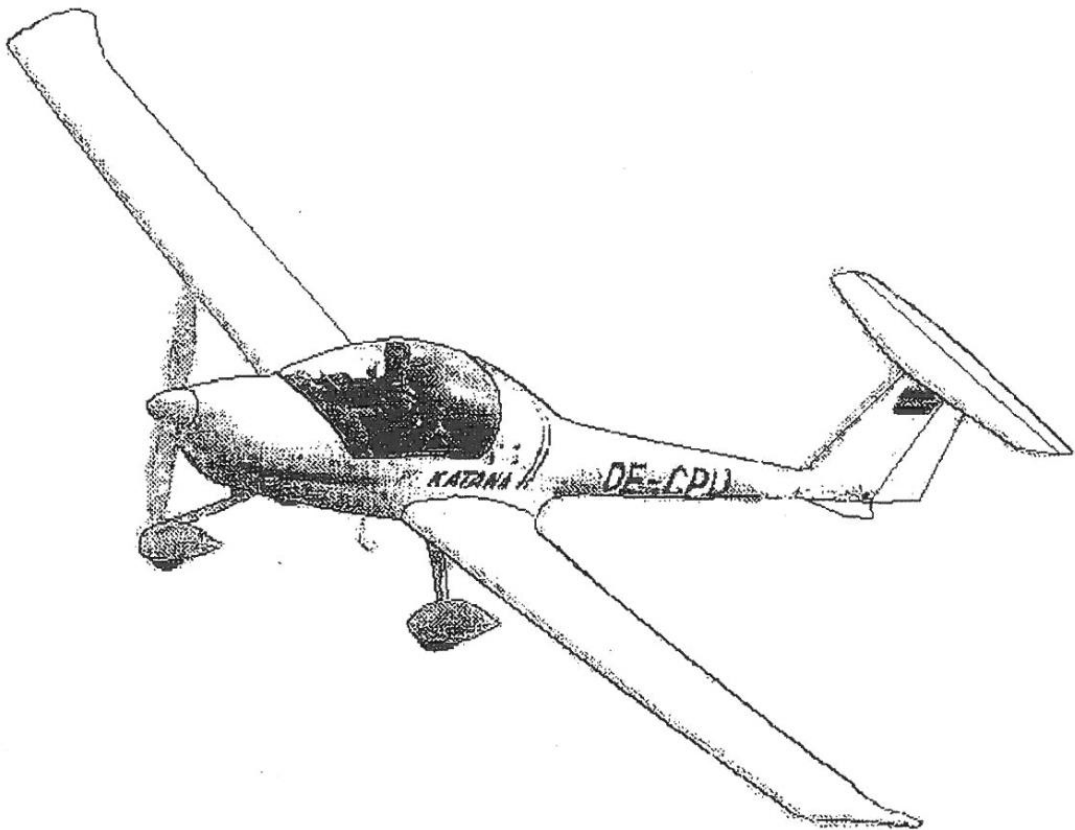


DOC. NO. 4.02.03

PARTS CATALOG



PREFACE

This catalog contains spare parts of the DV20 KATANA manufactured in 1993 or later. Serial numbers applicability is specified for each unit.

The numbering of the spare part groups and the page numbers are the same. "D" stands for data pages, while "P" stands for picture pages. "D"-pages should be perforated on the left margin and "P"-pages on the right margin.

The material presented in this catalog is divided into chapters. All pages are listed in the "List of Effective Pages", the corresponding paragraph titles are given in the table of contents on the first page of each chapter.

Any revision of this catalog should be confirmed in the Revision Check List.

All rights reserved. Reproduction of this catalog or any portion thereof by any means without the express written permission of HOAC Austria is prohibited.

Copyright © by HOAC Austria, Wr. Neustadt

DATE OF ISSUE:

JUL. 1, 2010

REV. NO.:

4

PAGE NO.:

D/0000-00-00/2

TABLE OF CONTENTS

	CHAPTER
GENERAL	00
INTERIOR	11
OPTIONS	12
DIVERSES	13
ELECTRICAL	24
CONTROL SYSTEM	27
FUEL	28
LANDING GEAR	32
LIGHTS	33
NAVIGATION AND PITOT-STATIC-SYSTEM	34
STALL-WARNING AND INSTRUMENTS	39
CANOPY CONSTRUCTION	52
FUSELAGE	53
STABILIZER	55
WINGS	57
POWER PLANT	71
ENGINE	72
ENGINE AIR AND WATER CIRCUIT	75
ENGINE CONTROLS	76
EXHAUST	78
ENGINE-OIL	79

LIST OF EFFECTIVE PAGES

Rev. No.:	Date	Reason	Pages
7	29-Apr-2024	Revision 7	D/0000-00-00/1
4	01-Jul-2010	Revision 4	D/0000-00-00/2
"	"	"	D/0000-00-01/1
7	29-Apr-2024	Revision 7	D/0000-00-02/1
6	10-Dec-2013	Revision 6	D/0000-00-02/2
"	"	"	D/0000-00-02/3
"	"	"	D/0000-00-02/4
7	29-Apr-2024	Revision 7	D/0000-00-02/5
6	10-Dec-2013	Revision 6	D/0000-00-02/6
7	29-Apr-2024	Revision 7	D/0000-00-03/1
4	01-Jul-2010	Revision 4	D/1100-00-00/1
"	"	"	P/1100-01-00/1
"	"	"	D/1100-01-00/1
"	"	"	P/1100-02-00/1
"	"	"	D/1100-02-00/1
"	"	"	P/1100-03-00/1
"	"	"	D/1100-03-00/1
"	"	"	P/1100-04-00/1
"	"	"	D/1100-04-00/1
"	"	"	P/1100-05-00/1
"	"	"	D/1100-05-00/1
"	"	"	D/1200-00-00/1
"	"	"	P/1200-01-00/1
"	"	"	D/1200-01-00/1
"	"	"	P/1200-02-00/1
"	"	"	D/1200-02-00/1
"	"	"	P/1200-03-00/1
"	"	"	D/1200-03-00/1
"	"	"	P/1200-04-00/1
"	"	"	D/1200-04-00/1
"	"	"	P/1200-05-00/1
"	"	"	D/1200-05-00/1
"	"	"	P/1200-06-00/1
"	"	"	D/1200-06-00/1
"	"	"	P/1200-07-00/1
"	"	"	D/1200-07-00/1
"	"	"	P/1200-09-00/1
"	"	"	D/1200-08-00/1
"	"	"	P/1200-09-00/1
"	"	"	D/1200-09-00/1
"	"	"	D/1300-00-00/1
"	"	"	P/1300-01-00/1
"	"	"	D/1300-01-00/1

LIST OF EFFECTIVE PAGES

Rev. No.:	Date	Reason	Pages
4	1 Jul 2010	Revision 4	P/1300-02-00/1
"	"	"	D/1300-02-00/1
"	"	"	D/1300-03-00/1
"	"	"	D/2400-00-00/1
"	"	"	P/2400-01-00/1
"	"	"	D/2400-01-00/1
"	"	"	P/2400-02-00/1
"	"	"	D/2400-02-00/1
"	"	"	P/2400-03-00/1
"	"	"	D/2400-03-00/1
"	"	"	D/2700-00-00/1
"	"	"	P/2700-01-01/1
"	"	"	D/2700-01-01/1
"	"	"	P/2700-01-02/1
"	"	"	P/2700-01-02/2
"	"	"	D/2700-01-02/1
"	"	"	D/2700-01-02/2
"	"	"	P/2700-01-03/1
"	"	"	D/2700-01-03/1
"	"	"	P/2700-01-03/2
"	"	"	D/2700-01-03/2
"	"	"	P/2700-01-04/1
"	"	"	D/2700-01-04/1
"	"	"	P/2700-01-05/1
"	"	"	D/2700-01-05/1
"	"	"	P/2700-02-01/1
"	"	"	D/2700-02-01/1
"	"	"	P/2700-02-02/1
"	"	"	D/2700-02-02/1
"	"	"	P/2700-02-02/2
"	"	"	D/2700-02-02/2
"	"	"	P/2700-02-02/3
"	"	"	D/2700-02-02/3
"	"	"	P/2700-03-01/1
"	"	"	D/2700-03-01/1
"	"	"	P/2700-03-01/2
"	"	"	D/2700-03-01/2
"	"	"	P/2700-03-02/1
"	"	"	D/2700-03-02/1
"	"	"	P/2700-03-02/2
"	"	"	D/2700-03-02/2
"	"	"	P/2700-04-01/1
"	"	"	D/2700-04-01/1

DATE OF ISSUE:

10. DEZ. 2013

REV. NO.:

6

PAGE NO.:

D/0000-00-02/2

LIST OF EFFECTIVE PAGES

Rev. No.:	Date	Reason	Pages
4	1 Jul 2010	Revision 4	P/2700-04-02/1
"	"	"	D/2700-04-02/1
"	"	"	P/2700-04-03/1
"	"	"	D/2700-04-03/1
"	"	"	P/2700-04-03/2
"	"	"	D/2700-04-03/2
"	"	"	P/2700-04-04/1
"	"	"	D/2700-04-04/1
"	"	"	P/2700-04-04/2
"	"	"	D/2700-04-04/2
"	"	"	P/2700-05-01/1
"	"	"	D/2700-05-01/1
"	"	"	P/2700-05-02/1
"	"	"	D/2700-05-02/1
"	"	"	P/2700-05-02/2
"	"	"	D/2700-05-02/2
"	"	"	D/2700-05-02/3
"	"	"	D/2700-05-02/4
"	"	"	P/2700-05-02/5
"	"	"	D/2700-05-02/5
"	"	"	P/2700-05-03/1
"	"	"	D/2700-05-03/1
"	"	"	P/2700-05-04/1
"	"	"	D/2700-05-04/1
"	"	"	P/2700-06-01/1
"	"	"	D/2700-06-01/1
"	"	"	P/2700-06-01/2
"	"	"	D/2700-06-01/2
"	"	"	P/2700-06-01/3
"	"	"	D/2700-06-01/3
"	"	"	D/2700-06-02/1
"	"	"	P/2700-06-02/1
"	"	"	D/2800-00-00/1
"	"	"	P/2811-00-01/1
"	"	"	D/2811-00-01/1
"	"	"	P/2822-00-01/1
6	10 Dec 2013	Revision 6	D/2822-00-01/1
4	1 Jul 2010	Revision 4	P/2822-00-01/2
6	10 Dec 2013	Revision 6	D/2822-00-01/2
4	1 Jul 2010	Revision 4	D/2822-00-01/3
"	"	"	P/2822-00-02/1
"	"	"	D/2822-00-02/1

DATE OF ISSUE:

10. DEZ. 2013

REV. NO.:

6

PAGE NO.:

D/0000-00-02/3

LIST OF EFFECTIVE PAGES

Rev. No.:	Date	Reason	Pages
4	1 Jul 2010	Revision 4	D/3200-00-00/1
"	"	"	P/3210-00-01/1
"	"	"	D/3210-00-01/1
"	"	"	P/3210-00-02/1
"	"	"	D/3210-00-02/1
"	"	"	P/3210-00-03/1
"	"	"	D/3210-00-03/1
"	"	"	P/3220-00-01/1
"	"	"	D/3220-00-01/1
"	"	"	P/3220-00-01/2
"	"	"	D/3220-00-01/2
"	"	"	P/3220-00-02/1
"	"	"	D/3220-00-02/1
"	"	"	P/3220-00-02/2
"	"	"	D/3220-00-02/2
"	"	"	P/3220-01-01/1
"	"	"	D/3220-01-01/1
"	"	"	P/3220-01-01/2
"	"	"	D/3220-01-01/2
"	"	"	P/3240-01-00/1
"	"	"	D/3240-01-00/1
"	"	"	P/3240-01-01/1
"	"	"	D/3240-01-01/1
"	"	"	P/3240-01-02/1
"	"	"	D/3240-01-02/1
"	"	"	P/3240-01-03/1
"	"	"	D/3240-01-03/1
"	"	"	D/3300-00-00/1
"	"	"	P/3300-00-01/1
"	"	"	D/3300-00-01/1
"	"	"	P/3300-00-02/1
"	"	"	D/3300-00-02/1
"	"	"	D/3400-00-00/1
"	"	"	P/3411-00-01/1
"	"	"	D/3411-00-01/1
"	"	"	D/3900-00-00/1
"	"	"	P/3900-00-01/1
"	"	"	D/3900-00-01/1
"	"	"	P/3900-00-01/2
"	"	"	D/3900-00-01/2
"	"	"	P/3910-00-00/1
"	"	"	D/3910-00-00/1

DATE OF ISSUE:

10. DEZ. 2013

REV. NO.:

6

PAGE NO.:

D/0000-00-02/4

LIST OF EFFECTIVE PAGES

Rev. No.:	Date	Reason	Pages
4	01-Jul-2010	Revision 4	D/3910-00-00/2
"	"	"	D/5210-00-00/1
"	"	"	P/5210-00-01/1
"	"	"	D/5210-00-01/1
"	"	"	D/5210-00-01/2
"	"	"	D/5210-00-01/3
"	"	"	P/5210-00-02/1
7	29-Apr-2024	Revision 7	D/5210-00-02/1
"	"	"	D/5210-00-02/2
4	01-Jul-2010	Revision 4	D/5300-00-00/1
"	"	"	P/5334-01-01/1
"	"	"	D/5334-01-01/1
"	"	"	P/5334-01-02/1
"	"	"	D/5334-01-02/1
"	"	"	P/5334-01-03/1
"	"	"	D/5334-01-03/1
"	"	"	P/5334-02-01/1
"	"	"	D/5334-02-01/1
"	"	"	P/5360-00-01/1
"	"	"	D/5360-00-01/1
"	"	"	P/5360-00-01/2
"	"	"	D/5360-00-01/2
"	"	"	P/5384-00-01/1
"	"	"	D/5384-00-01/1
"	"	"	D/5384-00-01/2
"	"	"	P/5384-00-02/1
"	"	"	D/5384-00-02/1
"	"	"	D/5500-00-00/1
"	"	"	P/5510-00-01/1
"	"	"	D/5510-00-01/1
"	"	"	D/5700-00-00/1
"	"	"	P/5700-00-01/1
"	"	"	D/5700-00-01/1
"	"	"	P/5700-00-02/1
"	"	"	D/5700-00-02/1
"	"	"	P/5700-00-02/2
"	"	"	D/5700-00-02/2
"	"	"	P/5730-00-01/1
"	"	"	D/5730-00-01/1
"	"	"	D/6100-00-00/1
"	"	"	P/6100-01-00/1
"	"	"	D/6100-01-00/1

LIST OF EFFECTIVE PAGES

Rev. No.:	Date	Reason	Pages
4	1 Jul 2010	Revision 4	P/6100-02-00/1
"	"	"	D/6100-02-00/1
"	"	"	D/7100-00-00/1
"	"	"	P/7110-00-01/1
"	"	"	D/7110-00-01/1
"	"	"	D/7110-00-01/2
"	"	"	P/7170-00-01/1
"	"	"	D/7170-00-01/1
"	"	"	P/7120-00-01/1
"	"	"	D/7120-00-01/1
"	"	"	D/7200-00-00/1
"	"	"	D/7200-00-01/1
"	"	"	D/7500-00-00/1
"	"	"	P/7500-00-01/1
"	"	"	D/7500-00-01/1
"	"	"	D/7500-00-01/2
"	"	"	P/7500-00-02/1
"	"	"	D/7500-00-02/1
"	"	"	D/7600-00-00/1
"	"	"	P/7600-00-01/1
"	"	"	D/7600-00-01/1
"	"	"	P/7600-00-02/1
"	"	"	D/7600-00-02/1
"	"	"	D/7600-00-02/2
"	"	"	P/7600-00-03/1
"	"	"	D/7600-00-03/1
5	16 Mar 2011	Correction of Assy.	D/7800-00-00/1
4	1 Jul 2010	Revision 4	P/7800-00-01/1
"	"	"	D/7800-00-01/1
"	"	"	P/7800-00-02/1
"	"	"	D/7800-00-02/1
"	"	"	D/7900-00-00/1
"	"	"	P/7900-00-01/1
"	"	"	D/7900-00-01/1
"	"	"	P/7900-00-01/2
"	"	"	D/7900-00-01/2
"	"	"	P/7900-00-01/3
"	"	"	D/7900-00-01/3
"	"	"	P/7900-00-01/4
"	"	"	D/7900-00-01/4
"	"	"	"

DATE OF ISSUE:
10. DEZ. 2013

REV. NO.:
6

PAGE NO.:
D/0000-00-02/6

REVISION CHECKLIST

This Check List should be used to verify if the revisions issued are installed into the catalog. The affected pages of any revision, as well as the list of revision levels must be inserted into the the catalog upon receipt. The pages superseded by the revision must be removed and destroyed. The Check List should be updated by hand.

Rev. No.:	Issued on:	Changed on
1	03-Mar-1994	01-Apr-1994
2	10-Oct-1994	02-Nov-1994
3	25-Nov-1995	20-Dec-1995
4	01-Jul-2010	01-Jul-2010
5	16-Mar-2011	16-Mar-2011
6	10-Dec-2013	10-Dec-2013
7	29-Apr-2024	29-Apr-2024

CHAPTER 11 - INTERIOR

INTERIOR

PLACARDS.....1100-01-00/1
SEATS and FLOOR CARPET.....1100-02-00/1
SIDECOVER.....1100-03-00/1
HEADREST.....1100-04-00/1

ELECTRICAL INTERIOR

MICROPHONS AND SPEAKER.....1100-05-00/1

Montageanleitung für $V_{10} = 104 \text{ lbs}$

Bitte Flugzeug ist abgehoben als Lastfluggesellschaft und nur für Tag-Flüge (max. 1000 Stunden) zugelassen. Alle anderen Flugesellschaften, einschließlich kommerzieller Flugesellschaften, sind verboten. Weitere Einzelheiten sind dem Flugzeugbesitzer zu entnehmen.

Franschrift auf $Q_{max} 140^{\circ}\text{C}$

Öl 3,0 l

Start $C_{yl. max. 190^{\circ}\text{C}}$ **LÖTUNG**

Kabinendruck **Lüftung**

Gepäck, max. 20 kg, nur mit Gepäcknetz **AUS Vergaservorrichtung EIN**

Parabremsen ziehen **Leistungs- und Motorleistung begrenzen 1 Minute** **Verstärker nicht betriebsbereit** **Hydraulik Fluid 4** **UP** **UP**

Druckmesser zeigt 0 psi zu viel **Druckmesser zeigt 0 psi zu wenig** **Choke ziehen - EIN** **Hydraulik Fluid 4** **T/O** **T/O**

IC - ON **OFF** **IC - Vorwärmer** **781 AVIAS 100 LL, MOGAS** **781 AVIAS 100 LL, MOGAS**

GPS nicht für Primärnavigation zugelassen **GPS** **771** **QDR** **Flaps**

Battery Antenna Fuel Position ACL Landing Light AR Gyro Dr. Gyro Turn Ind.

Kapitänseitig - Trimmung - Schranzseitig

START - CHECK **EM** **AUS**

33 psi **33 psi** **26 psi**

2,3 bar **2,3 bar** **1,8 bar**

NOTÖFFNUNG: Hebel ganz umlegen.

NOTÖFFNUNG: Hebel ganz umlegen.

NOTÖFFNUNG (ELT): Hebel im Gepäckraum

NOTÖFFNUNG (ELT): Hebel im Gepäckraum

Montageanleitung für $V_{10} = 104 \text{ lbs}$

This airplane is certified for a very light category approved for day VFR only, in one-bag conditions. All Aerobically instruments including instrument gauges are prohibited. See Pilot Manual for other limitations.

Fuel valve open **closed**

Coolant **Cabin air**

Oil max. 140 °C **Cabin air**

Oil max. 190 °C **ON 3.0 l**

Begepackung, max. 20 kg (44 lbs.), only with baggage harness **Parking brake set** **Cyl. max. 190 °C** **ON 3.0 l**

OFF Carburetor Heat ON **Throttle indicator RPM too low** **Throttle indicator RPM too high** **Hydraulik Fluid 4** **UP** **UP**

Full throttle **Choke pull - ON** **Hydraulik Fluid 4** **T/O** **T/O**

Cabin heat pull - ON **Prop.** **LDG** **LDG**

781 AVIAS 100 LL, MOGAS **781 AVIAS 100 LL, MOGAS**

GPS not approved for primary navigation **GPS** **771** **QDR** **Flaps**

Battery Antenna Fuel Position ACL Landing Light AR Gyro Dr. Gyro Turn Ind.

Nose down - Trim - Nose up

START CHECK **EM** **AUS**

33 psi **33 psi** **26 psi**

2,3 bar **2,3 bar** **1,8 bar**

EMERGENCY OPENING: Swing lever full rearward.

EMERGENCY OPENING: Swing lever full rearward.

EMERGENCY LOCATOR TRANSMITTER in baggage compartment, rear side.

EMERGENCY LOCATOR TRANSMITTER in baggage compartment, rear side.

Version de montage: $V_{10} = 104 \text{ lbs}$

Cet avion est certifié comme avion très léger et homologué pour VFR de jour, dans des conditions de vol à un sac. Les instruments aérodynamiques, y compris les indicateurs, sont interdits. Voir les autres limitations dans le manuel de vol.

Robinet ouvert $Q_{max} 140^{\circ}\text{C}$

fermé $C_{yl. max. 190^{\circ}\text{C}}$ **Admission**

Admission

Huile 3,0 l

Begepackung max. 20 kg (44 lbs.) **ARRÊT** **ARRÊT** **ARRÊT**

Fuel de secours **Leistungs- und Motorleistung begrenzen 1 Minute** **Verstärker nicht betriebsbereit** **Hydraulik Fluid 4** **UP** **UP**

IC - Vorwärmer **Choke** **Hydraulik Fluid 4** **T/O** **T/O**

IC - ON **OFF** **IC - Vorwärmer** **781 AVIAS 100 LL, MOGAS** **781 AVIAS 100 LL, MOGAS**

GPS nicht für Primärnavigation zugelassen **GPS** **771** **QDR** **Flaps**

Batterie Antenne Pumpe Fuel Position ACL Flaps IC QDR Valve

Piloteur - Trimmung - Cabineur

START - CHECK **EM** **AUS**

33 psi **33 psi** **26 psi**

2,3 bar **2,3 bar** **1,8 bar**

NOTÖFFNUNG: Hebel ganz umlegen.

NOTÖFFNUNG: Hebel ganz umlegen.

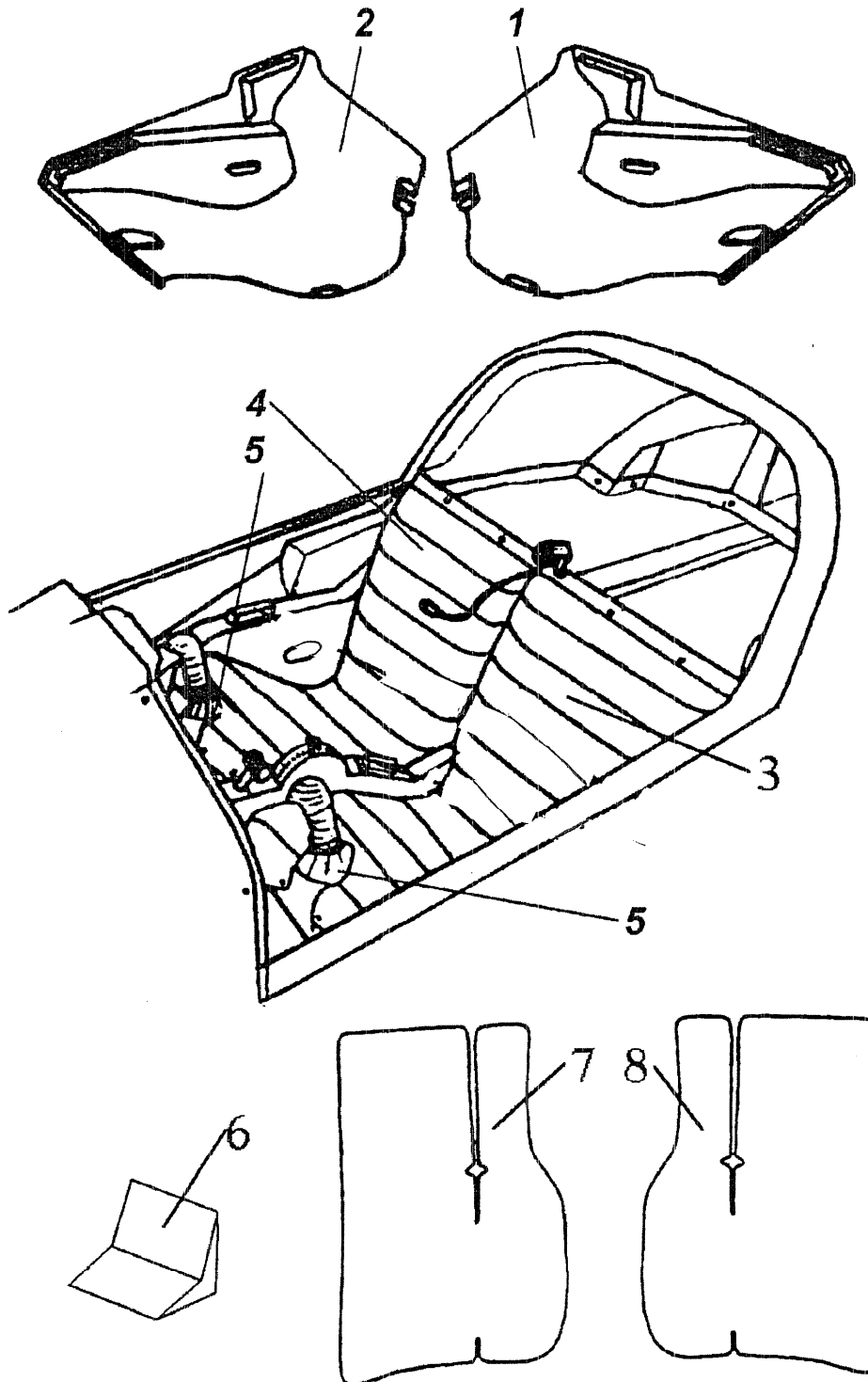
NOTÖFFNUNG (ELT): Hebel im Gepäckraum

NOTÖFFNUNG (ELT): Hebel im Gepäckraum

ASSEMBLY NO.: 1100-01-00
ASSEMBLY NAME: PLACARDS

VALID FOR SERIAL N°S:
20005 AND SUBSEQUENT

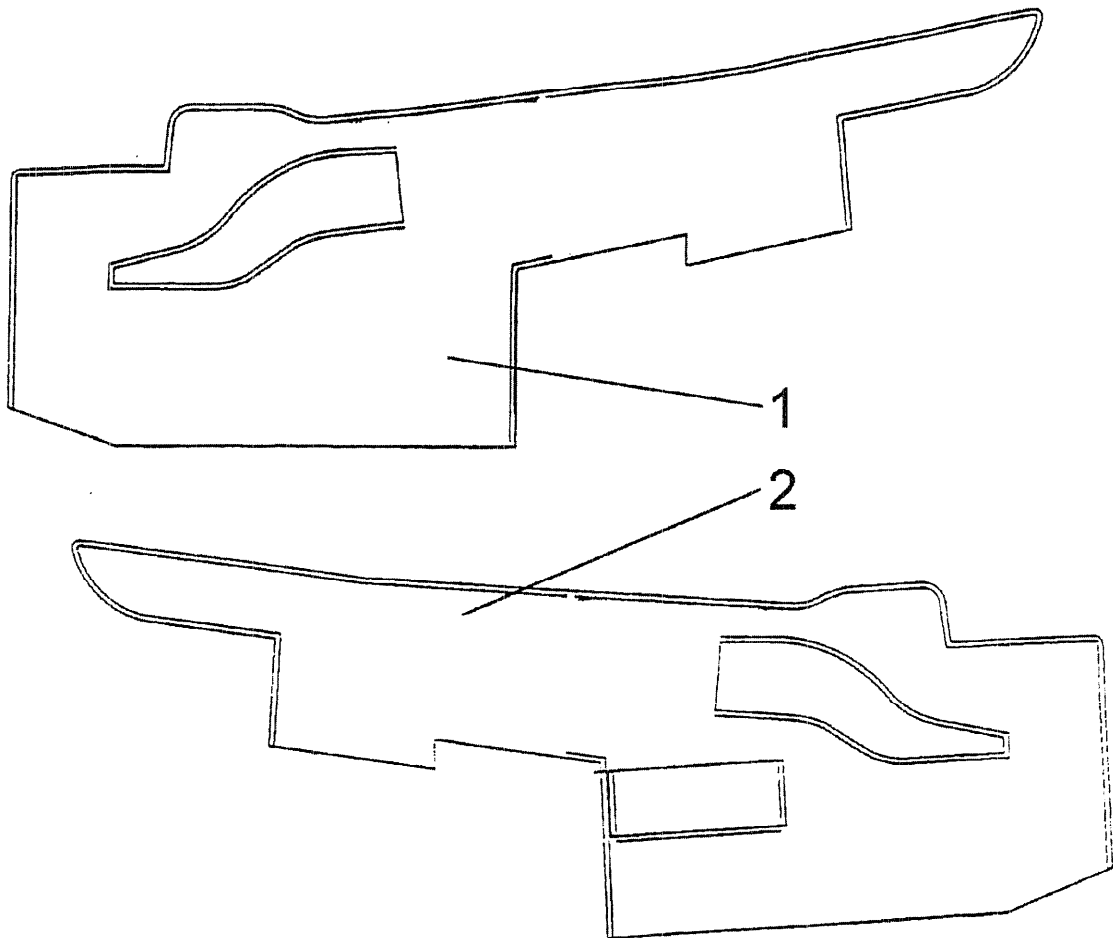
POS. NO.:	NAME	PART NO.:	QUANTITY PER ASSEMBLY:
1	PANEL-PLACARDS GERMAN	DV20.221791	1
2	CANOPY-PLACARDS GERMAN	DV20.221880	1
3	PLACARDS ENGLISH	DV20.221771	1
4	CANOPY PLACARDS ENGLISH	DV20.221890	1
5	PLACARDS FRENCH	DV20.221781	



ASSEMBLY NO.: 1100-02-00
ASSEMBLY NAME: SEATS AND FLOOR CARPET

VALID FOR SERIAL N'S:
20005 AND SUBSEQUENT

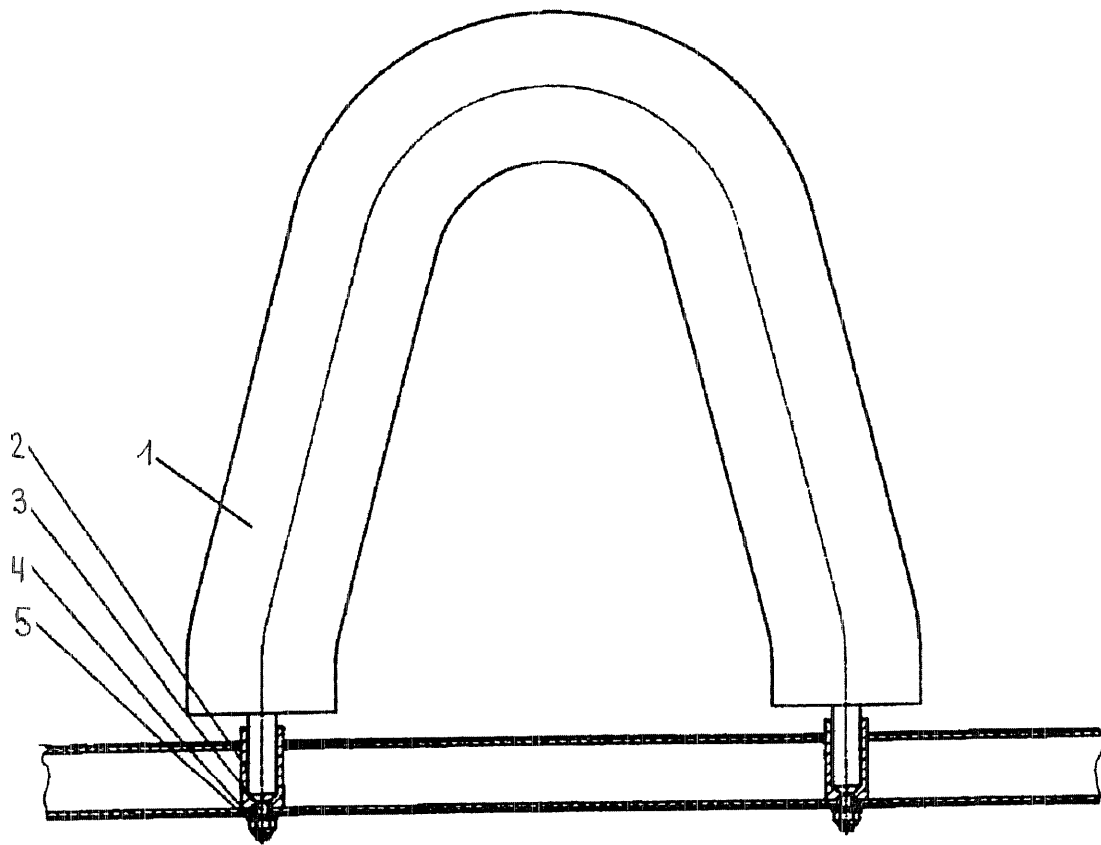
POS. NO.:	NAME	PART NO.:	QUANTITY PER ASSEMBLY:
1	SEAT SHELL LEFT	ON REQUEST	1
2	SEAT SHELL RIGHT	ON REQUEST	1
3	SEAT CUSHION LEFT	HK36.181090	1
4	SEAT CUSHION RIGHT	HK36.181080	1
5	CONTROL STICK BAG	DV2.181060	2
6	TAPER CUSHION	DV2.181210	OPTIONAL 2
7	FLOOR CARPET LEFT	DV2.181101	1
8	FLOOR CARPET RIGHT	DV2.181100	1



ASSEMBLY NO.: 1100-03-00
ASSEMBLY NAME: SIDECOVER

VALID FOR SERIAL N'S:
20005 AND SUBSEQUENT

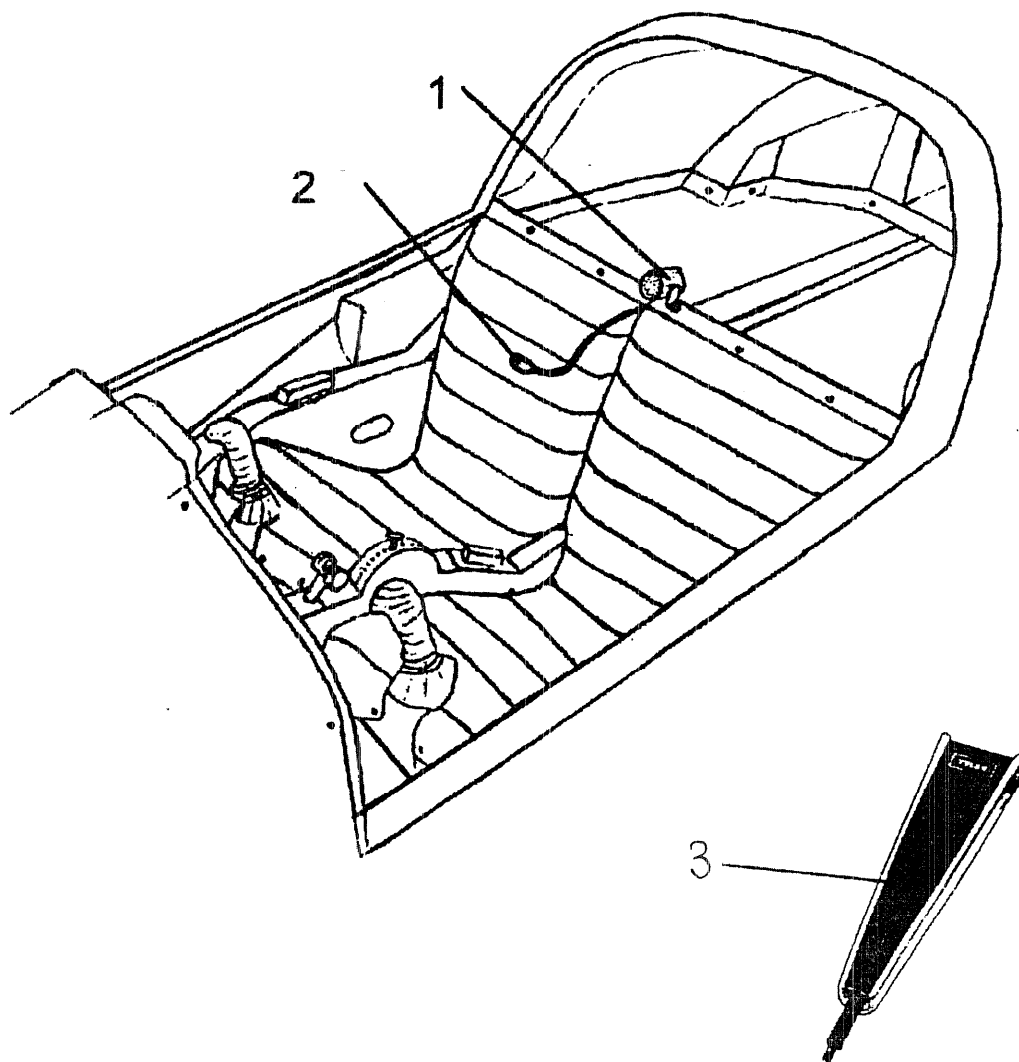
POS. NO.:	NAME	PART NO.:	QUANTITY PER ASSEMBLY:
1	SIDECOVER LEFT	DV2.181040	1
2	SIDECOVER RIGHT	DV2.181030	1



ASSEMBLY NO.: 1100-04-00
 ASSEMBLY NAME: HEADREST

VALID FOR SERIAL N`S:
 20005 AND SUBSEQUENT

POS. NO.:	NAME	PART NO.:	QUANTITY PER ASSEMBLY:
1	HEADREST	DV2-2500-00-01	1
2	BUSH	DV2-2500-00-02	2
3	BOLT	DIN963-M6X16-YZP	2
4	SELF LOCKING NUT	DIN963-M6X16-YZP	2
5	WASHER	DIN985-M6-A2	2



ASSEMBLY NO.:1100-05-00
ASSEMBLY NAME:MIC AND SPEAKER

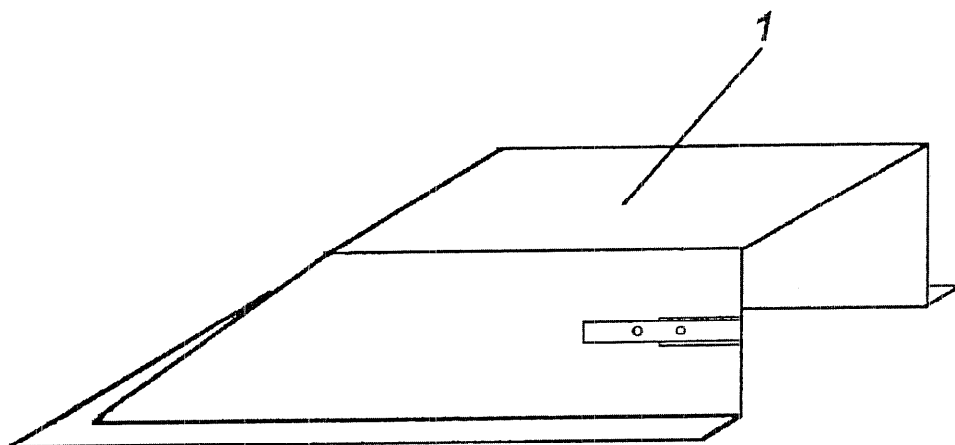
VALID FOR SERIAL N'S:
20005 AND SUBSEQUENT

POS. NO.:	NAME	PART NO.:	QUANTITY PER ASSEMBLY:
1	SPEAKER	101732	1
2	BOOMMIC BECKER	N000038	1
3	HANDMIC TELEX	62800-001	1

CHAPTER 12 - OPTIONS

INTERIOR

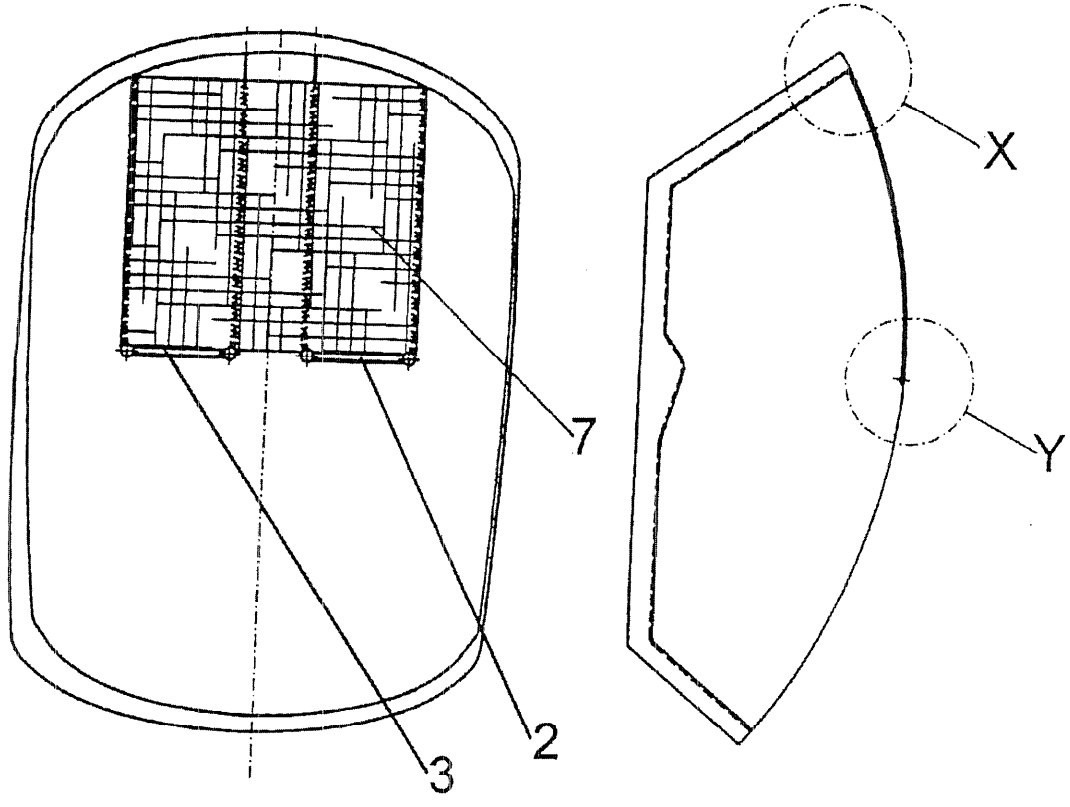
GPS RACK.....	1200-01-00/1
SUNPROTECTION.....	1200-02-00/1
ELT-MOUNT.....	1200-03-00/1
BAGGAGE NET.....	1200-04-00/1
FIRE EXTINGUISHER.....	1200-05-00/1
ACCESSORIES FOR CLAP WING.....	1200-06-00/1
ACCESSORIES.....	1200-07-00/1
OUTSIDE COVER.....	1200-08-00/1
HEADSETS.....	1200-09-00/1



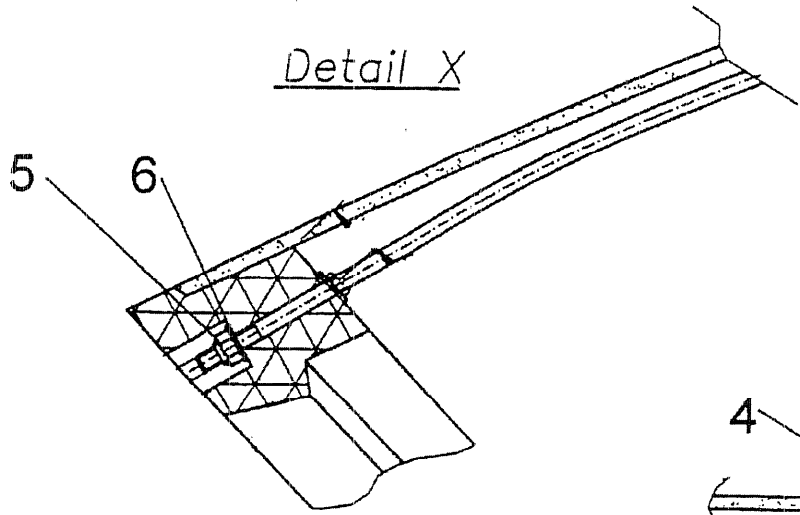
ASSEMBLY NO.:1200-01-00
ASSEMBLY NAME: GPS-RACK

VALID FOR SERIAL N'S:
20005 AND SUBSEQUENT

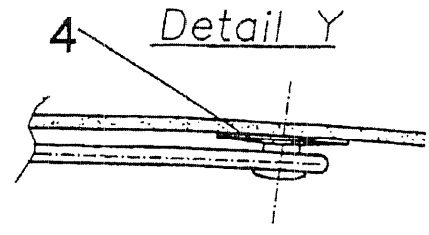
POS. NO.:	NAME	PART NO.:	QUANTITY PER ASSEMBLY:
1	GPS-RACK	<u>ON REQUEST</u>	1



Detail X



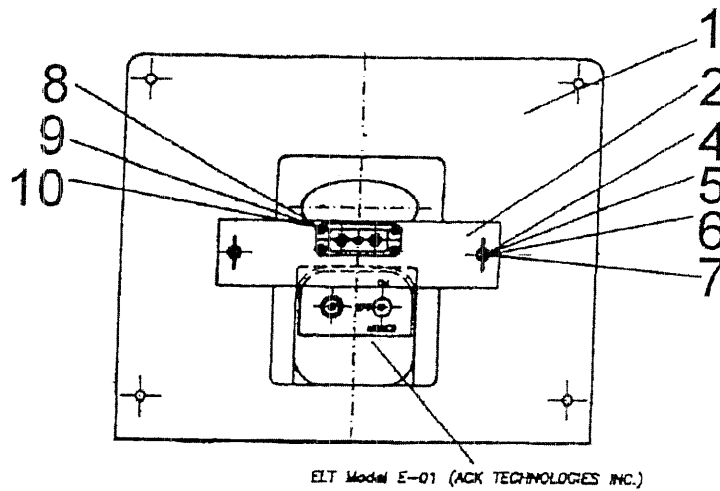
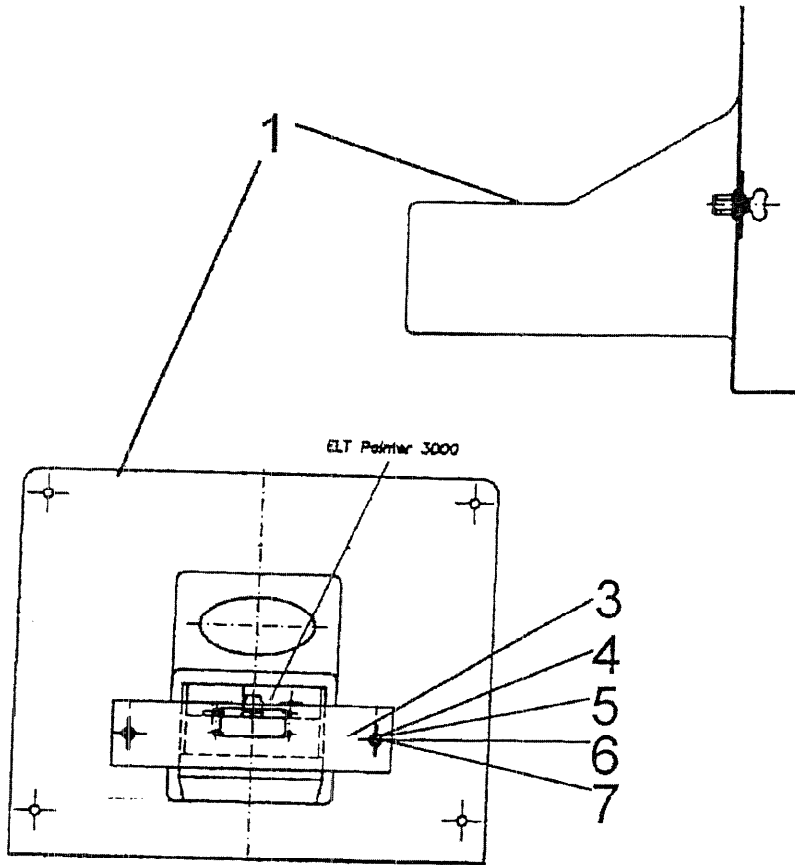
Detail Y



ASSEMBLY NO.: 1200-02-00
ASSEMBLY NAME: SUNPROTECTION

VALID FOR SERIAL N°S:
20005 AND SUBSEQUENT

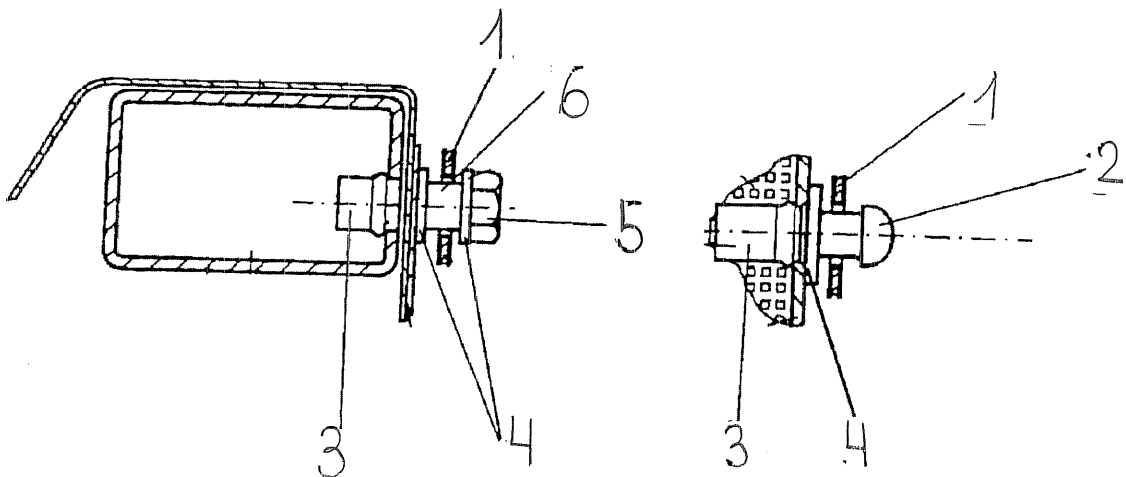
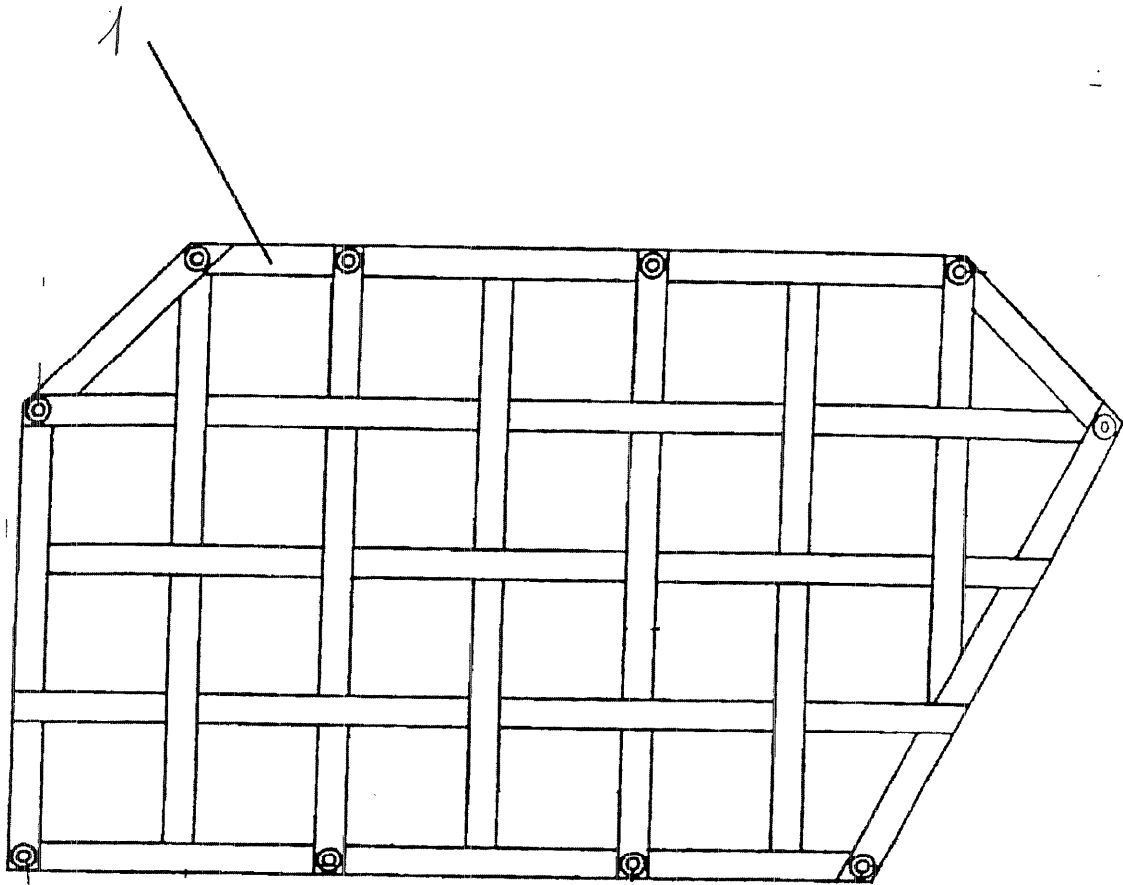
POS. NO.:	NAME	PART NO.:	QUANTITY PER ASSEMBLY:
1	SUNPROTECTION KIT	DV2.181800	1
2	FRAME LEFT	DV2-2500-01-01-LH	1
3	FRAME RIGHT	DV2-2500-01-01-RH	1
4	SUCTION CUP	1.1.401208	4
5	SELFLOCKING NUT	DIN980-VM4-A2	4
6	WASHER	DIN125-AM4-ZP	4
7	PROTECTION CLOTH	181860	1



ASSEMBLY NO.: 1200-03-00
ASSEMBLY NAME: ELT-MOUNTING

VALID FOR SERIAL N°S:
20005 AND SUBSEQUENT

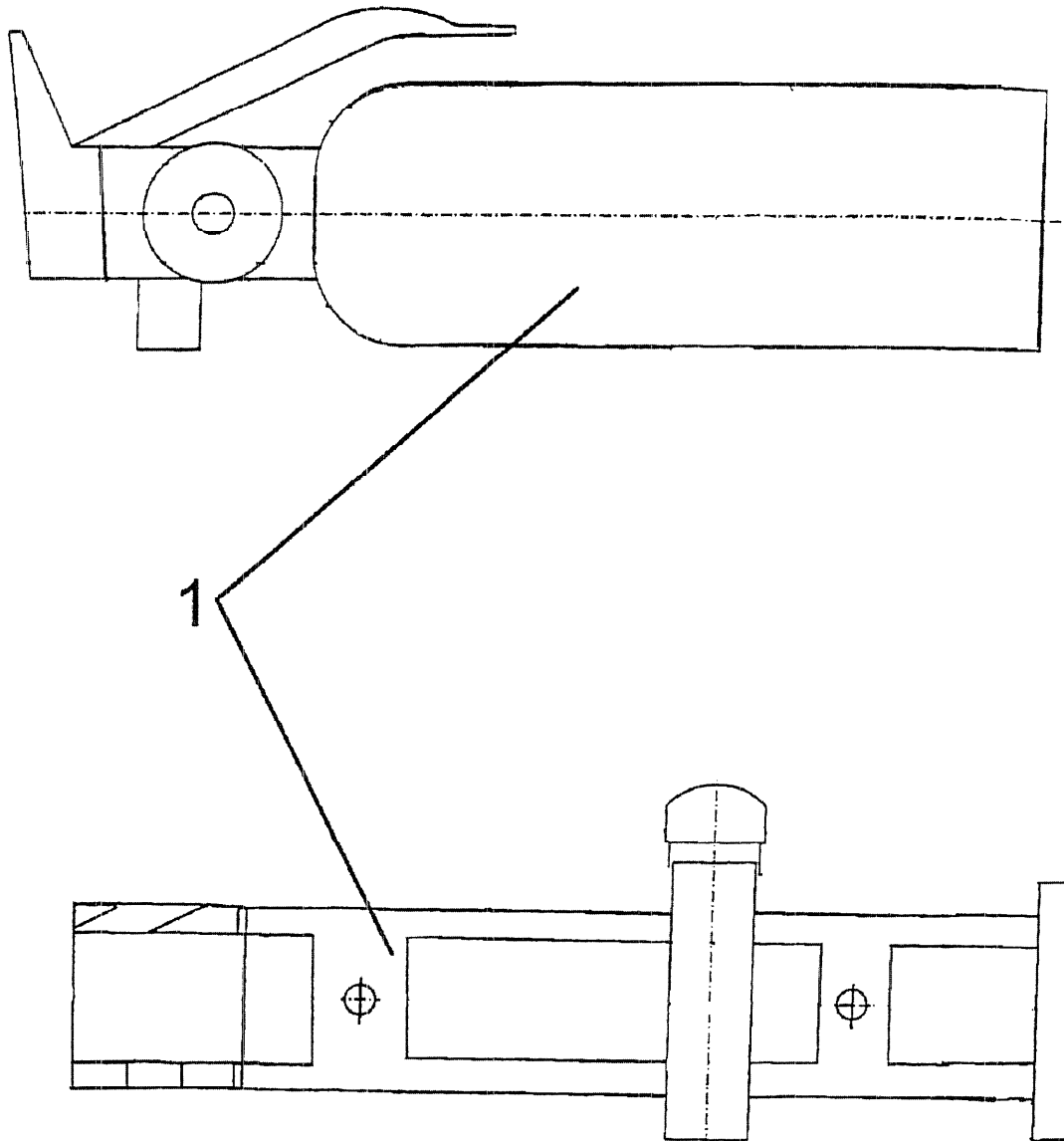
POS. NO.:	NAME	PART NO.:	QUANTITY PER ASSEMBLY:
1	MOUNTING	DV2-5361-00-18	1
2	LOCKING FOR ACK	DV2-2562-03-01	1
3	LOCKING FOR POINTER	DV2-5361-00-16	1
4	LOCK	V26S04-5AGV	2
5	MOUNT	99R10-01A1	2
6	WASHER	V2600-LW-7	2
7	NUT	10-01_A1	2
8	BOLT	ISO7380-M3X10-A2	4
9	NUT SELFLOCKING	DIN985-M3-A2	4
10	WASHER	DIN134-A3.2-ZP	4
			1



ASSEMBLY NO.: 1200-04-00
ASSEMBLY NAME: BAGGAGE NET

VALID FOR SERIAL N°S:
20005 AND SUBSEQUENT

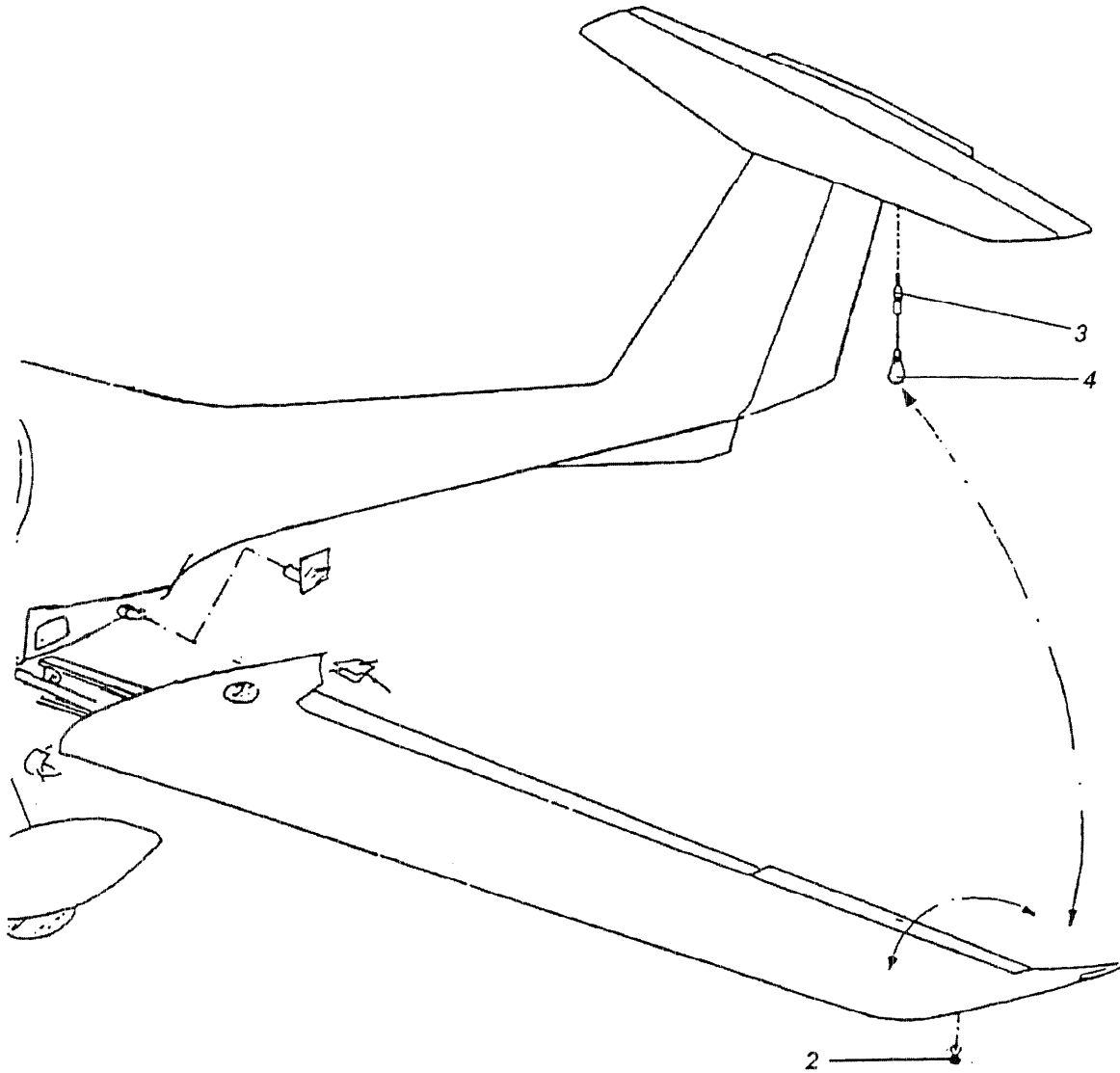
POS. NO.:	NAME	PART NO.:	QUANTITY PER ASSEMBLY:
1	BAGGAGE NET	HK36.128810	1
2	BAGGAGE NET BOLT	DV2-2553-10-02	6
3	RIVETNUT	UM-6-R	10
4	WASHER	DIN125-6.2-A2	14
5	BOLT	LN9037-06022	4
6	SLEEVE	BU2-08-06-0060-C1	4



ASSEMBLY NO.: 1200-05-00
ASSEMBLY NAME: FIRE EXTINGUISHER

VALID FOR SERIAL N°S:
20005 AND SUBSEQUENT

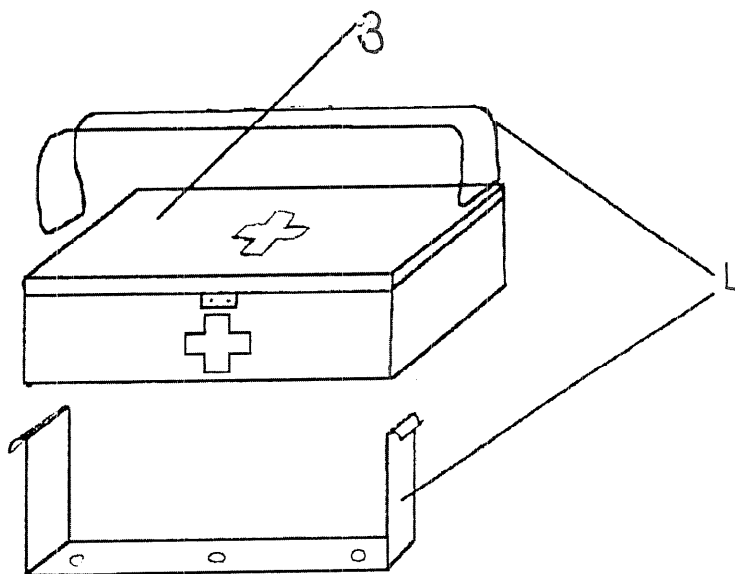
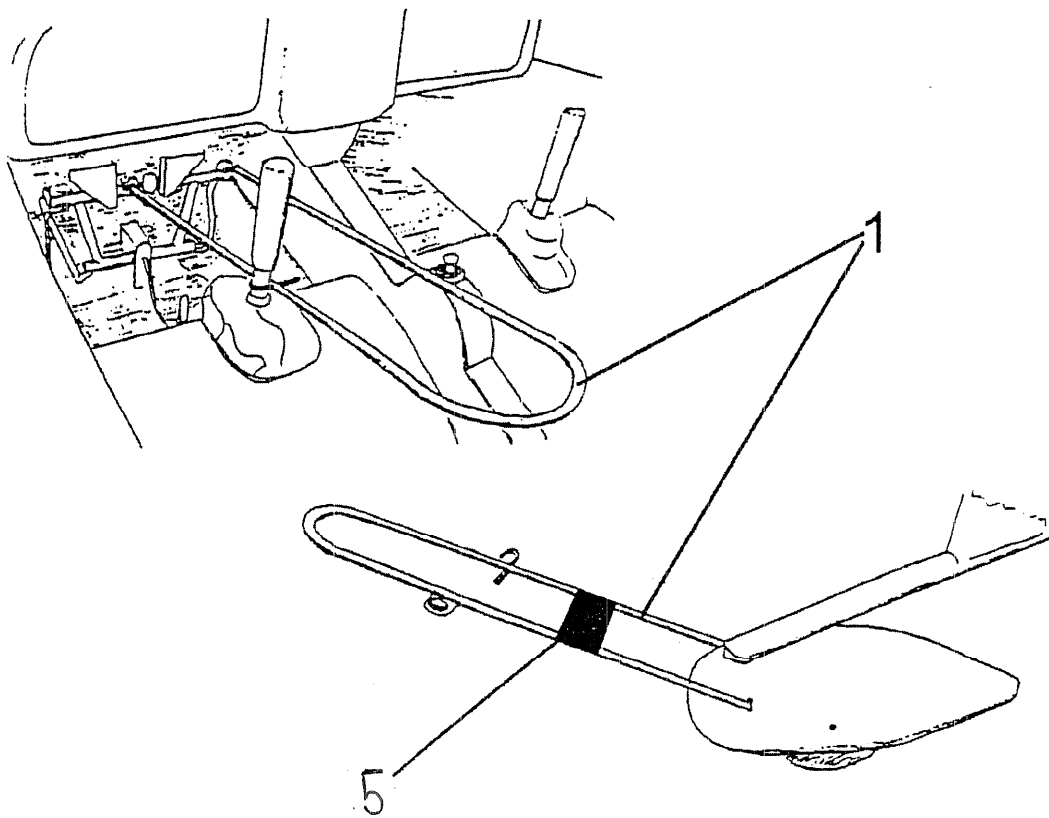
POS. NO.:	NAME	PART NO.:	QUANTITY PER ASSEMBLY:
1	FIRE EXTINGUISHER+MOUNT	DAI-9026-200	1



ASSEMBLY NO.: 1200-06-00
ASSEMBLY NAME: ACCESSORIES FOR CLAP WING

VALID FOR SERIAL N'S:
20005 AND SUBSEQUENT

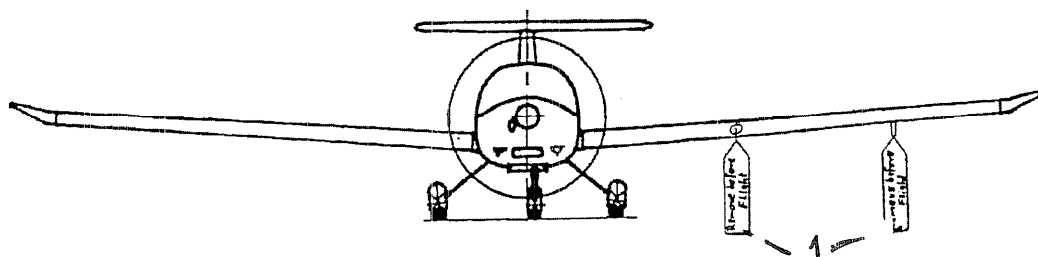
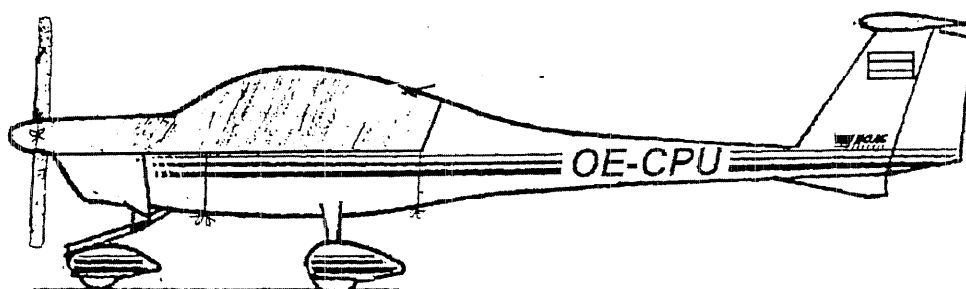
POS. NO.:	NAME	PART NO.:	QUANTITY PER ASSEMBLY:
1	EQUIPMENT SET, WING FOLDING KIT	M00216	1
2	RINGBOLT WING	DIN580-M8-A2	2
3	RINGBOLT ELEVATOR	BN1006-M6X20	2
4	CABEL	DV2-5334-00-03	2
			2
			2
			2
			2



ASSEMBLY NO.: 1200-07-00
ASSEMBLY NAME: ACCESSORIES

VALID FOR SERIAL N°S:
20005 AND SUBSEQUENT

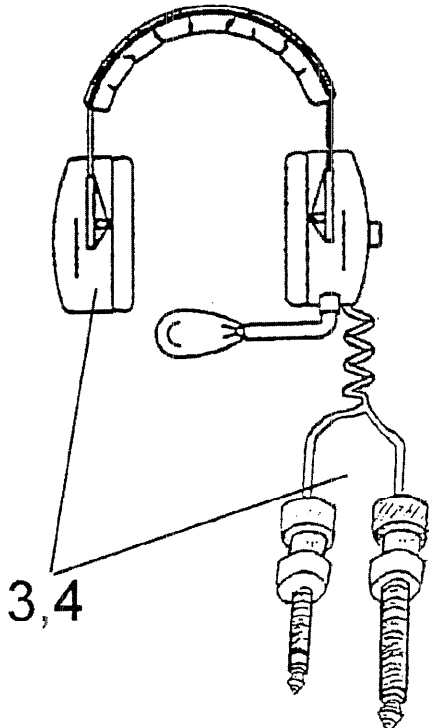
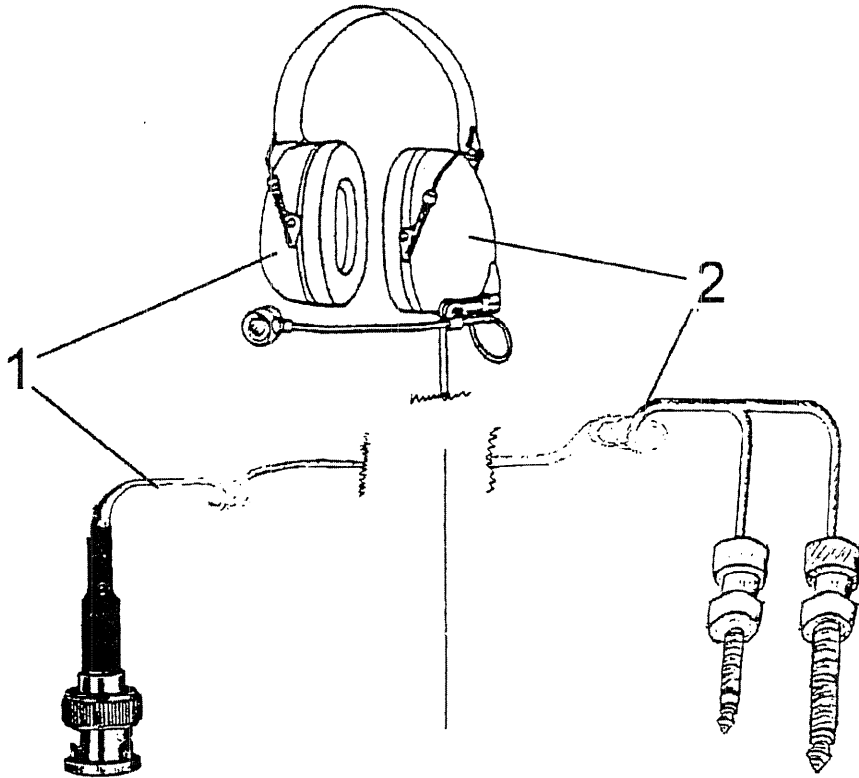
POS. NO.:	NAME	PART NO.:	QUANTITY PER ASSEMBLY:
1	TOWBAR	DV2-1200-01-00	1
2	LOCK FOR SIDEWINDOW	HK36.141195	1
3	FIRST AID BOX	OEN_V_5101	1
4	FIRST AID BOX MOUNT	DA4-2560-60-00	1
5	STRAP FOR TOWBAR	DV2-1200-01-00-POS.9	1
			1
			1



ASSEMBLY NO.: 1200-08-00
ASSEMBLY NAME: OUTSIDE COVER

VALID FOR SERIAL N'S:
20005 AND SUBSEQUENT

POS. NO.:	NAME	PART NO.:	QUANTITY PER ASSEMBLY:
1	REMOVE BEFORE FLIGHT-KIT	<u>ON REQUEST</u>	1



ASSEMBLY NO.: 1200-09-00
ASSEMBLY NAME: HEADSETS

VALID FOR SERIAL N'S:
20005 AND SUBSEQUENT

POS. NO.:	NAME	PART NO.:	QUANTITY PER ASSEMBLY:
1	PELTOR HEADSET	ON REQUEST	1
2	PELTOR HEADSET	ON REQUEST	1
3	COMMUNICA (PNA)	ON REQUEST	1
4	COMMUNICA (ANA)	ON REQUEST	1

CHAPTER 13 - DIVERSES

STICKER

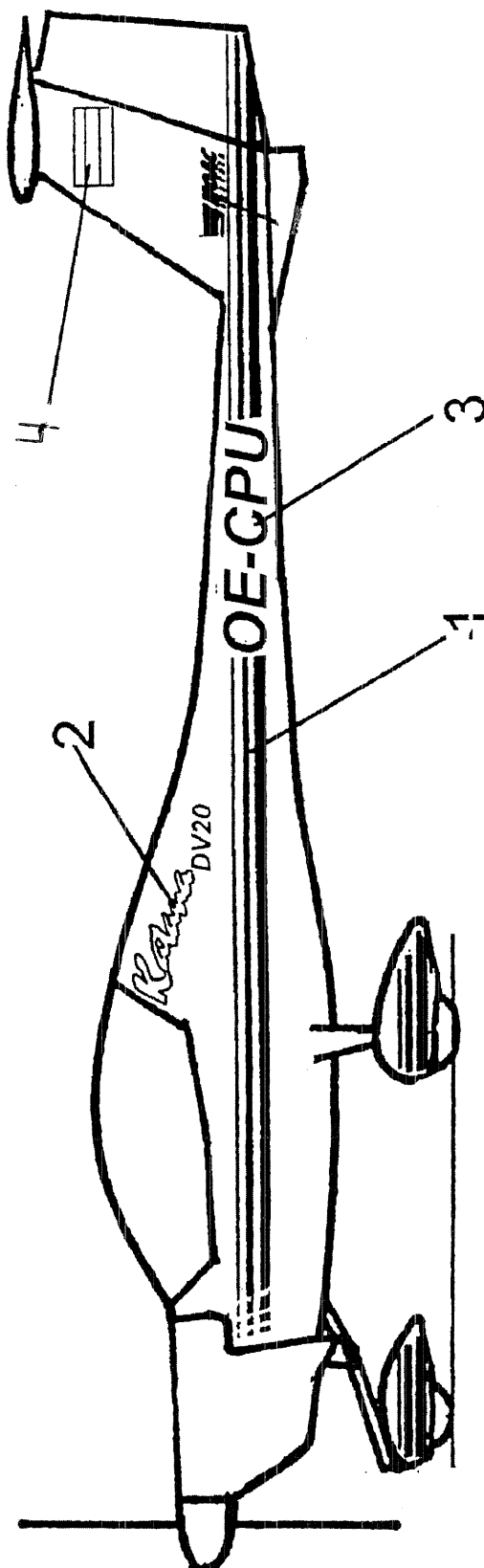
STICKER.....1300-01-00/1

OILCOOLER KIT

OILCOOLER WINTER KIT.....2400-02-00/1

DIVERS

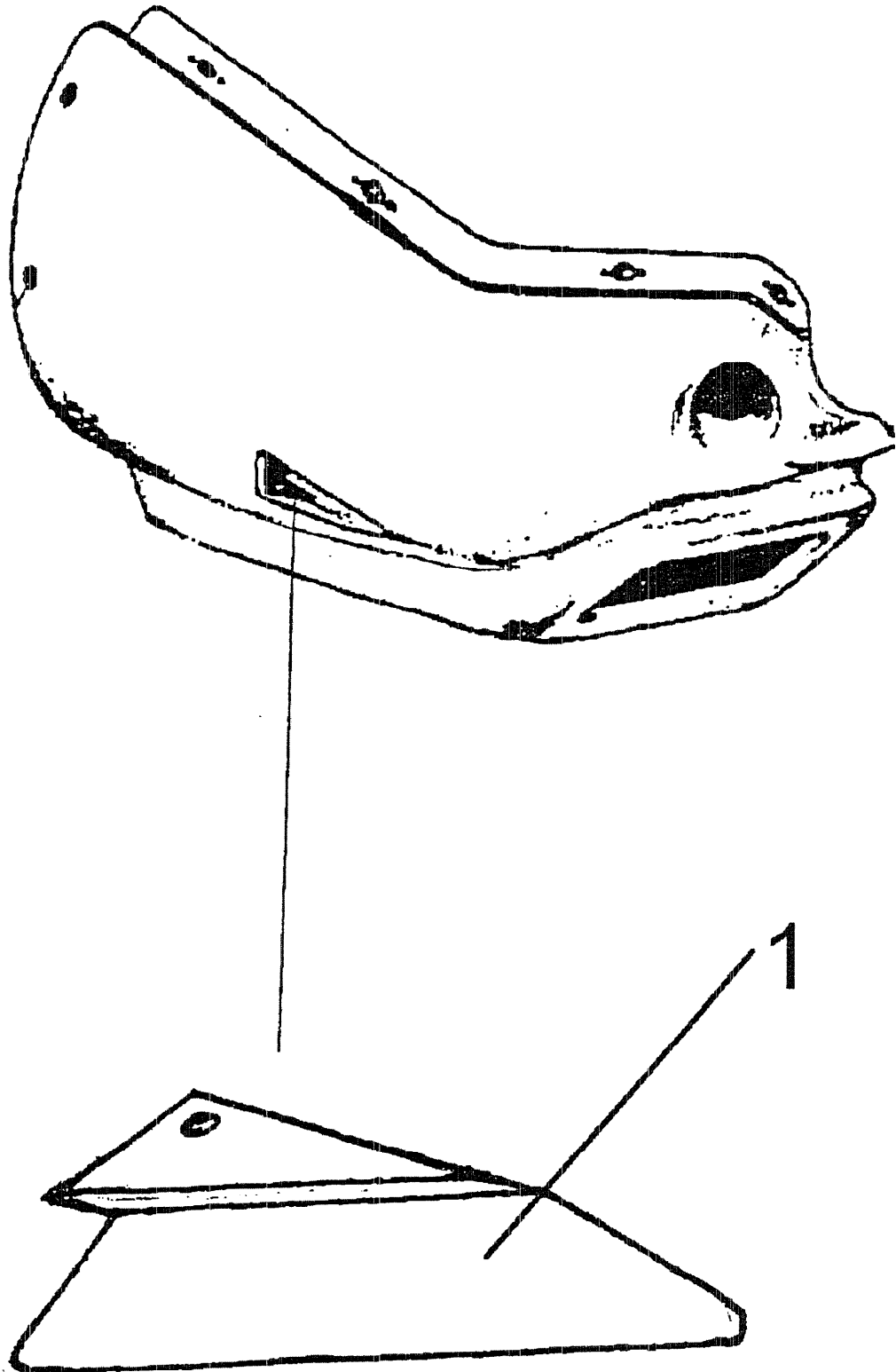
DIVERS.....2400-03-00/1



ASSEMBLY NO.: 1300-01-00
ASSEMBLY NAME: STICKER

VALID FOR SERIAL N'S:
20005 AND SUBSEQUENT

POS. NO.:	NAME	PART NO.:	QUANTITY PER ASSEMBLY:
1	FANCYLINE	ON REQUEST	2
2	KATANA DV 20	ON REQUEST	2
3	CALL SIGN FUSELAGE	ON REQUEST	2
4	BANNER GERMAN	N000105	2
4	BANNER AUSTRIA	N000103	2
5	CALL SIGN WIGN	ON REQUEST	2
			1



ASSEMBLY NO.: 1300-02-00
ASSEMBLY NAME: OILCOOLER WINTER KIT

VALID FOR SERIAL N'S:
20005 AND SUBSEQUENT

POS. NO.:	NAME	PART NO.:	QUANTITY PER ASSEMBLY:
1	OILCOOLER WINTER KIT	<u>DV2-7900R01-00</u>	1

ASSEMBLY NO.:1300-03-00
ASSEMBLY NAME:DIVERS

VALID FOR SERIAL N°S:
20005 AND SUBSEQUENT

POS. NO.:	NAME	PART NO.:	QUANTITY PER ASSEMBLY:
--------------	------	-----------	---------------------------

1	MOTOROIL 15W-50
2	RESIN
3	HARDENER
4	COTTONFLOCK
5	WHITE COLOUR
6	CO-TESTTUBE

552301L_ L20 HAEH91 FB1_035 P488-MX01-9016_ CH20601
--

1

CHAPTER 24 - ELECTRIC

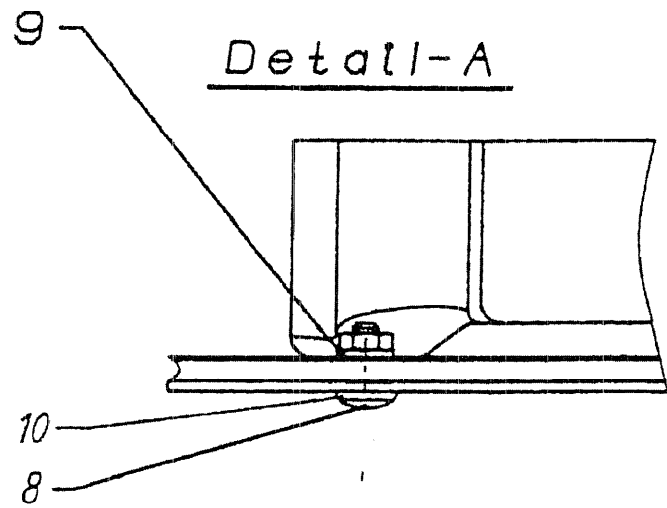
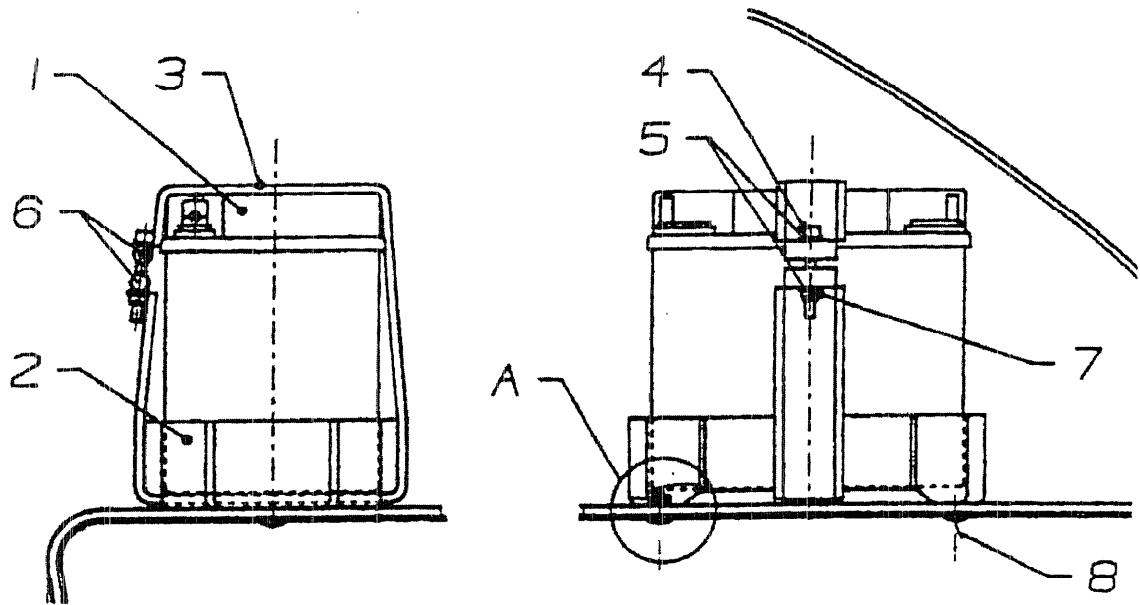
BATTERY

BATTERY ASSEMBLY.....2400-01-00/1

ELECTRIC

ELECTRIC BOARD.....2400-02-00/1

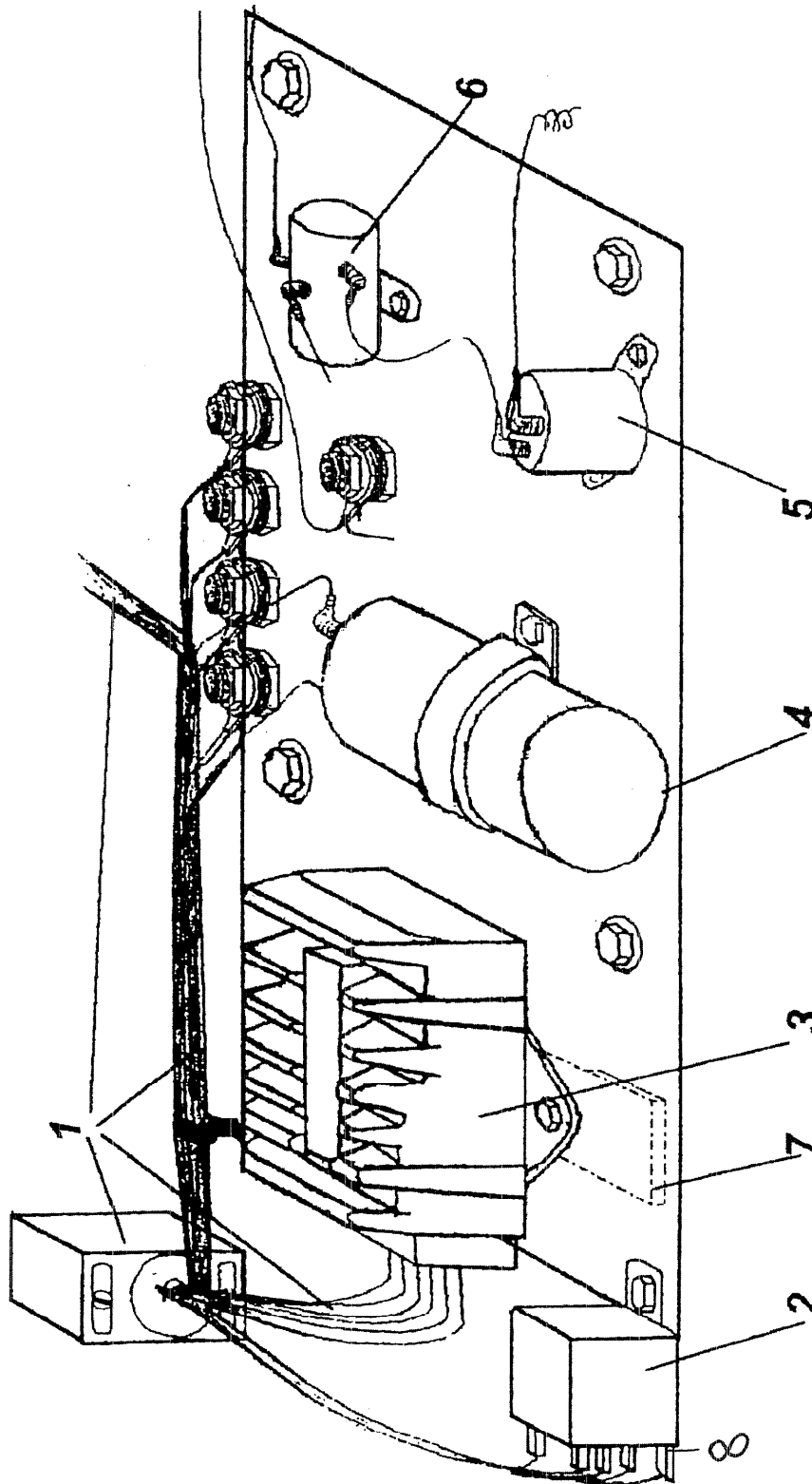
ELECTRICAL PARTS.....2400-03-00/1



ASSEMBLY NO.: 2400-01-00
ASSEMBLY NAME: BATTERY ASSEMBLY

VALID FOR SERIAL N°S:
20005 AND SUBSEQUENT

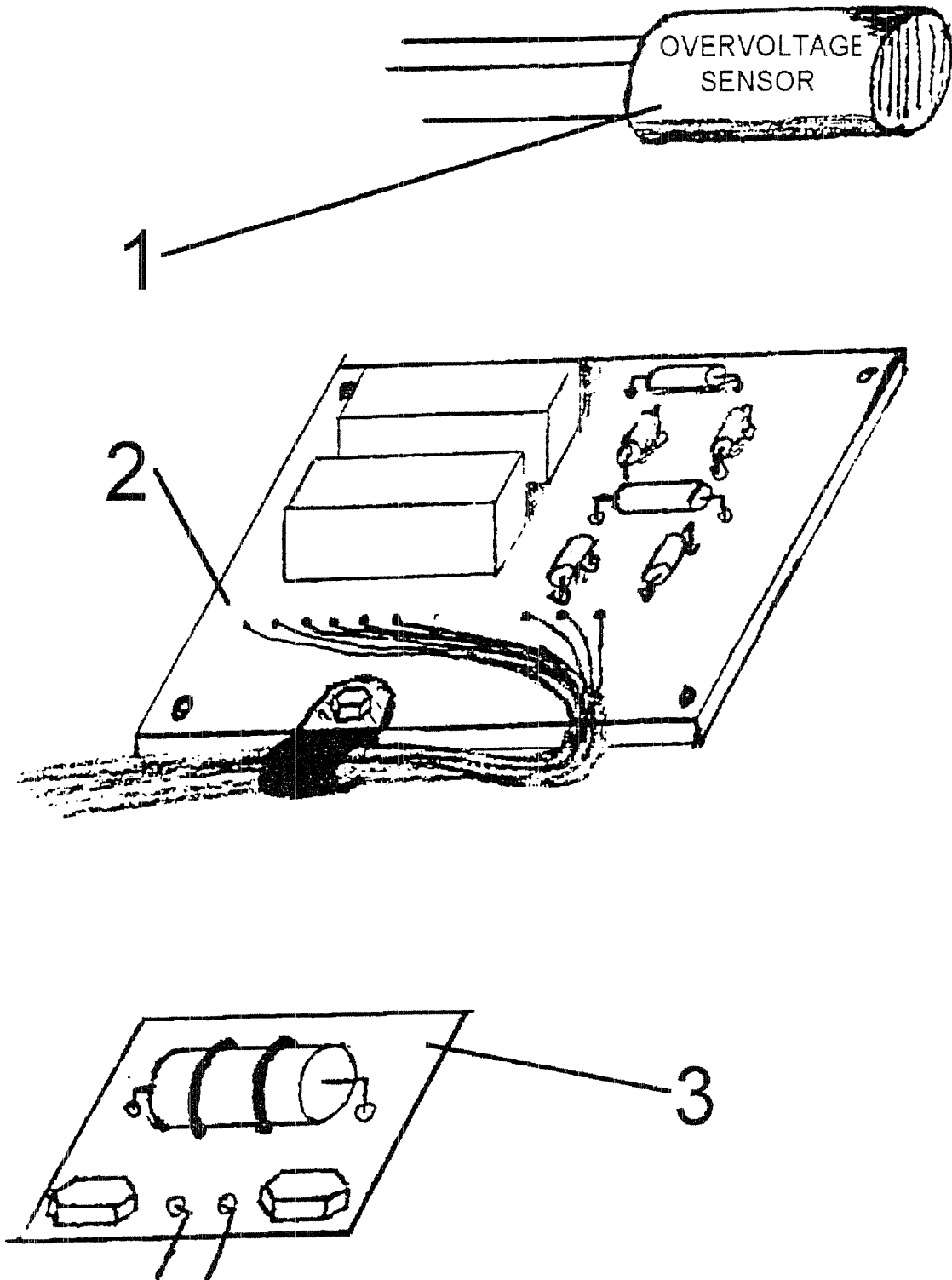
POS. NO.:	NAME	PART NO.:	QUANTITY PER ASSEMBLY:
1	BATTERY 12V 30AH	53030	1
2	BATTERY MOUNT	HK36.133930	1
3	BATTERY MOUNTING STRAP	820-7100-13-03	1
4	BOLT	DIN933-M6X60-YZP	1
5	WASHER	DIN125-6.2-A2	2
6	BOLT WITH HOLE	820-2811-02-02	2
7	SELF LOCKING NUT	DIN985-M6-A2	3
8	BOLT	DIN964-AM6X20-ZP	2
9	WASHER	DIN9021-M6-A2	2
10	WASHER	DIN125-M6-A2	2



ASSEMBLY NO.: 2400-02-00
ASSEMBLY NAME: ELECTRIC BOARD

VALID FOR SERIAL N'S:
20005 AND SUBSEQUENT

POS. NO.:	NAME	PART NO.:	QUANTITY PER ASSEMBLY:
1	WIRE HARNESS	ON REQUEST	1
2	OVERVOLTAGE RELAIS	0_332_014_125	1
3	VOLTAGE REGULATOR	965347	1
4	FILTER CAPACITOR	2222_106_16223	1
5	STARTER RELAY	992819	1
6	BATTERY RELAY	111-140D	1
7	CAPACITOR	0_290_800_019	1
8	RELAY PLUG	3_334_485_007	1



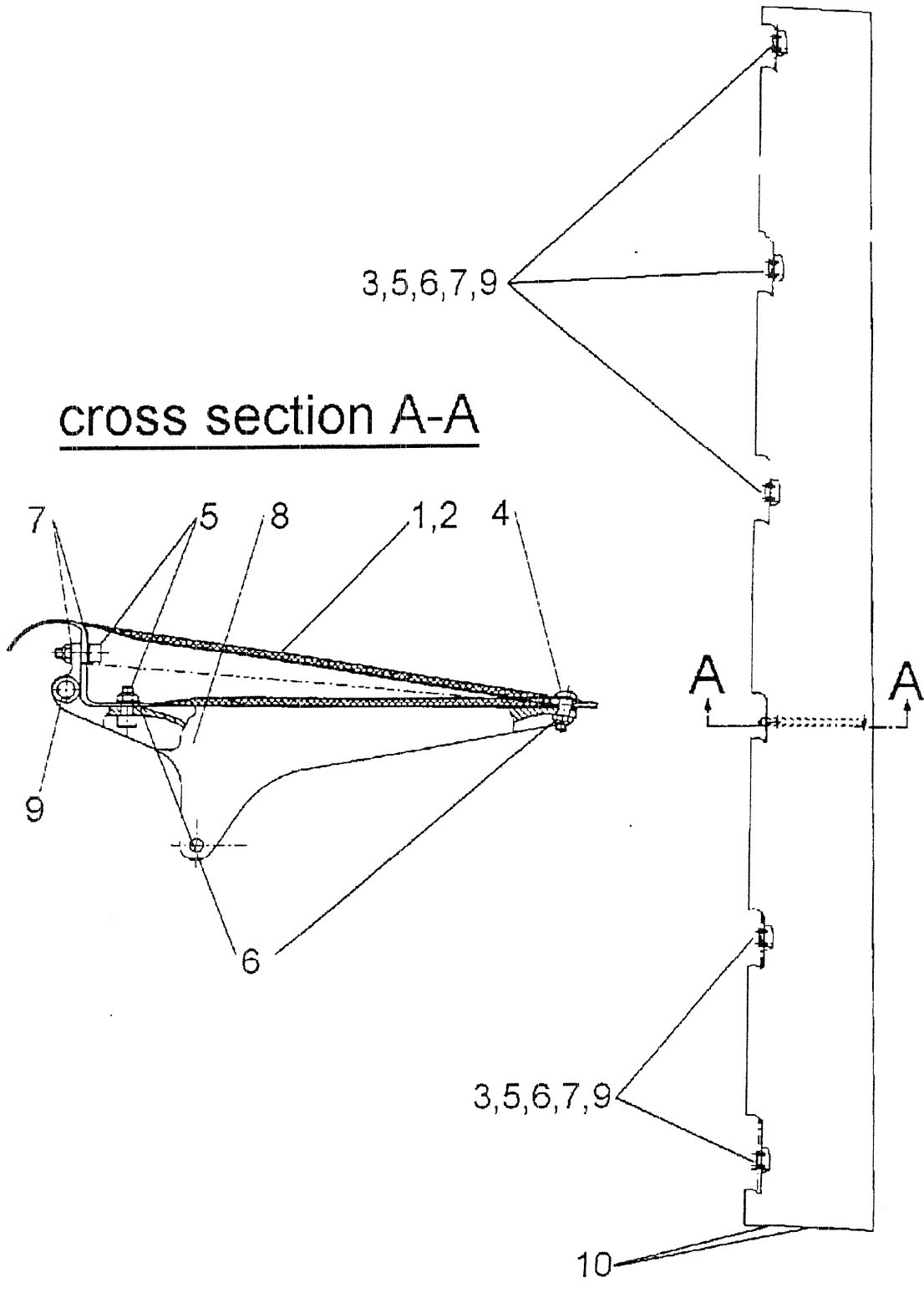
ASSEMBLY NO.: 2400-03-00
ASSEMBLY NAME: ELECTRICAL PARTS

VALID FOR SERIAL N'S:
20005 AND SUBSEQUENT

POS. NO.:	NAME	PART NO.:	QUANTITY PER ASSEMBLY:
1	OVERVOLTAGE SENSOR	<u>OS60</u>	1
2	INTERCOM CARD FOR KING	097-017-101	1
3	OILPRESS.-DAMP.-ASSY.	<u>094-001-101</u>	1

CHAPTER 27 - Control System

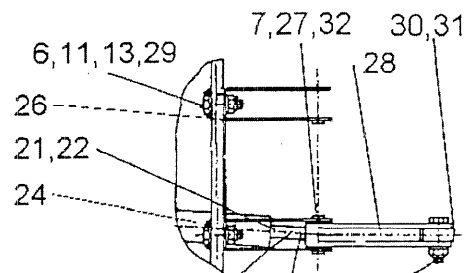
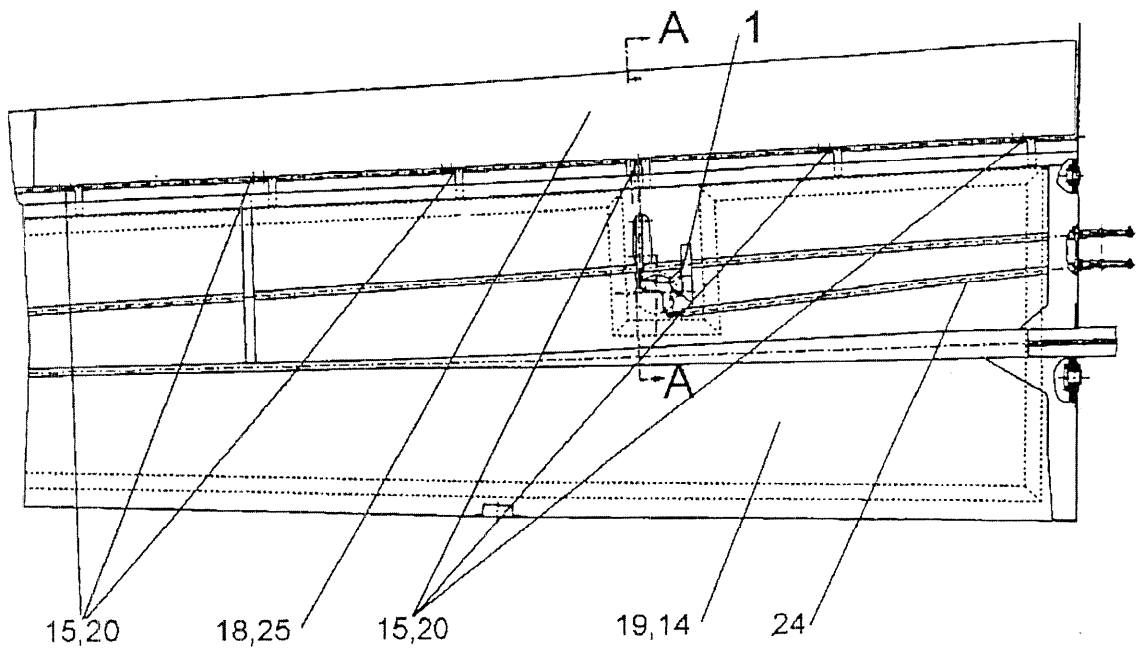
FLAP CONTROL	PAGE
Flap Assembly.....	2700-01-01/1
Flap Connections to Wing.....	2700-01-02/1
	2700-01-02/2
Flap behind Mainbulk.....	2700-01-03/1
	2700-01-03/2
Flap Actuator Mounting.....	2700-01-04/1
Torsion-Tube Assembly.....	2700-01-05/1
AILERON CONTROL	
Ailerons Assembly.....	2700-02-01/1
Ailerons Connection to Wing.....	2700-02-02/1
	2700-02-02/2
	2700-02-02/3
Aileron behind Mainbulk.....	2700-03-01/1
	2700-03-01/2
Aileron Control.....	2700-03-02/1
	2700-03-02/2
RUDDER CONTROL	
Rudder Connection to Stabilizer.....	2700-04-01/1
Rudder Lever Installation.....	2700-04-02/1
Roller Assembly.....	2700-04-03/1
	2700-04-03/2
Rudder Pedal Adjustment.....	2700-04-04/1
	2700-04-04/2
ELEVATOR CONTROL	
Elevator Connection to Fin.....	2700-05-01/1
Elevator Control Tail.....	2700-05-02/1
	2700-05-02/2
	2700-05-02/3
	2700-05-02/4
	2700-05-02/5
Elevator Control Middle.....	2700-05-03/1
Elevator Control.....	2700-05-04/1
TRIM CONTROL	
Trim Tab Assembly.....	2700-06-01/1
	2700-06-01/2
	2700-06-01/3
Trim Control.....	2700-06-02/1



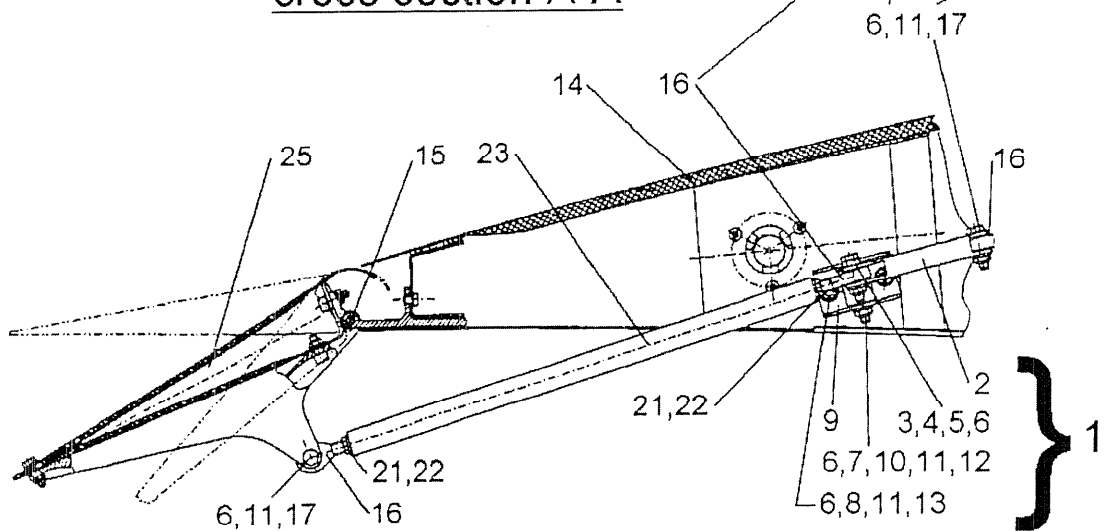
ASSEMBLY NO.: 2700-01-01
ASSEMBLY NAME: FLAP ASSEMBLY

VALID FOR SERIAL N`S:
20005 AND SUBSEQUENT

POS. NO.:	NAME	PART NO.:	QUANTITY PER ASSEMBLY:
1	FLAP LH	DV2-5750-00-00-LH	1
2	FLAP RH	DV2-5750-00-00-RH	1
3a	HINGE INCL. COLLAR BUSH LH	HI1-LH	5
3b	HINGE INCL. COLLAR BUSH RH	HI1-RH	1
4	SCREW	ISO4762-M5X16-A2	12
5	BOLT	ISO7380-M5X16-A2	13
6	SELF LOCKING NUT	LN9348-M5	10
7	WASHER	DIN125-AM5-ZP	1
8	FLAP HORN	DV2-2750-00-05	6
9	COLLAR BUSH	PAF06080P11	2
10	COLLAR BUSH	PAF08095P11	2



cross section A-A



ASSEMBLY NO.: 2700-01-02

VALID FOR SERIAL N'S:

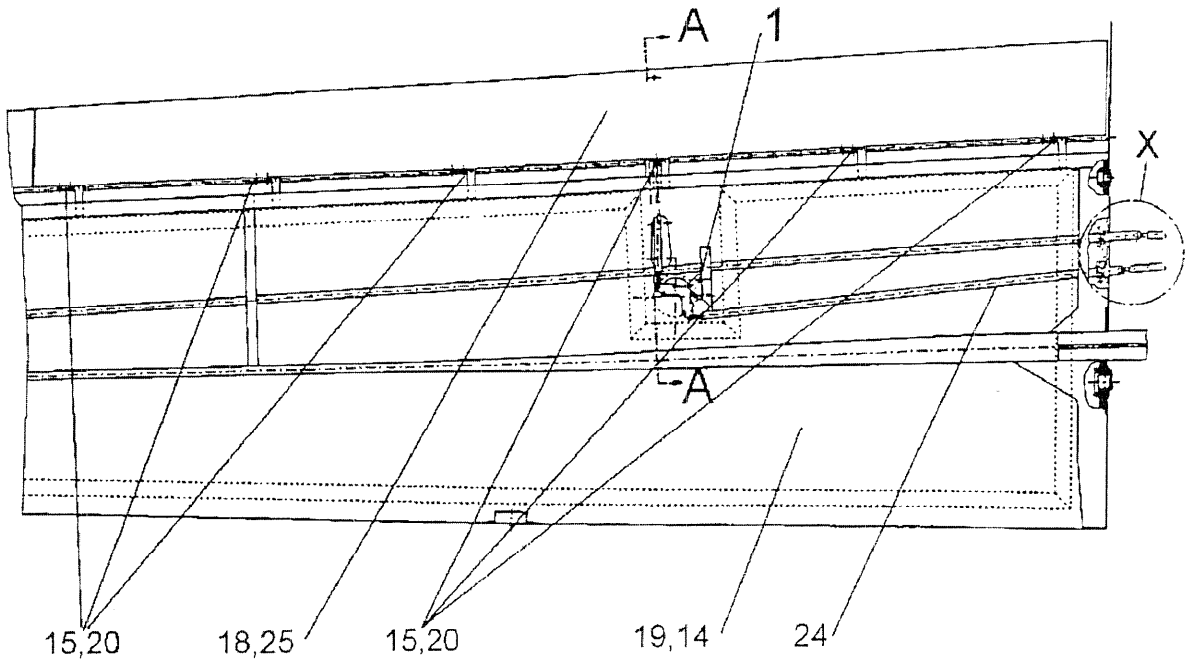
ASSEMBLY NAME: FLAP CONNECTIONS TO WING

20005 AND SUBSEQUENT

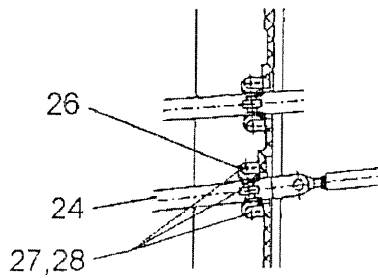
WITH FOLDING

WING MECHANISM

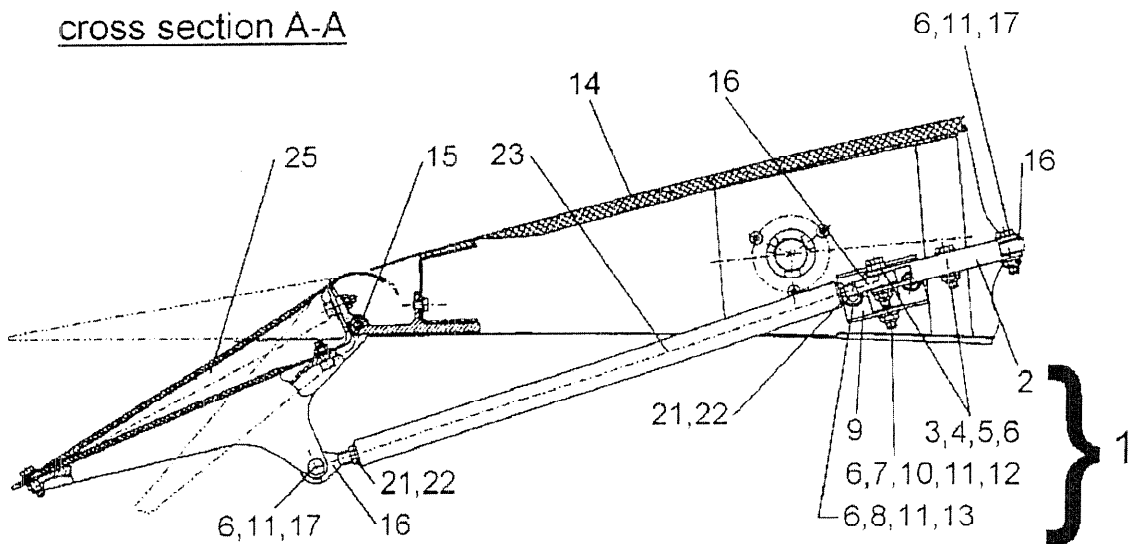
POS. NO.:	NAME	PART NO.:	QUANTITY PER ASSEMBLY:
1	BELLCRANK ASSEMBLY	D20-2757-30-00	1
2	BELLCRANK	DV2-2750-00-13	1
3	BOLT	DIN933-M6X20-YZP	1
4	HEXAGON NUT	DIN439-BM6-ZP	1
5	SPACER SLEEVE	DV2-2750-00-22	1
6	WASHER	DIN125-6.2-A2	14
7	COLLAR BUSH	PAF08095P11	4
8	BOLT	LN9037-06018	2
9	PEDESTAL	DV2-2750-00-02	1
10	BOLT	LN9037-06040	1
11	SELF LOCKING NUT	DIN985-M6-A2	13
12	SPACER TUBE	BU1-08-06-0264-C	1
13	WASHER	DIN9021-M6-A2	6
14	WING LH	ON REQUEST	1
15	BOLT	DV2-5761-00-01	6
16	ROD END BEARING	DAI-9027-00-01	4
17	BOLT	LN9037-06022	3
18	FLAP ASSEMBLY LH	DV2-5750-00-00-LH	1
19	WING RH	ON REQUEST	1
20	DOWEL PIN	DIN1481-1.5X10-A2	6
21	LOCK WASHER	DIN6797-J8.2-A2	4
22	HEXAGON NUT	DIN934-M8-A2	4
23	PUSH ROD	PR1-16X0,5-8-0303-D	1
24	PUSH ROD	PR1-20X0,5-8-1040-D	1
25	FLAP ASSEMBLY RH	DV2-5750-00-00-RH	1
26	PEDESTAL	DV2-2710-00-04	1
27	RIVETING JOURNAL	N000014	1
28	BELLCRANK	DV2-2710-00-01	1
29	BOLT	LN9037-M6X12	4
30	ROLLER	DV2-2750-00-09	1
31	SLEEVE	DV2-2750-00-04	1
32	SPACER TUBE	BU1-08-06-0179-C1	1



detail X



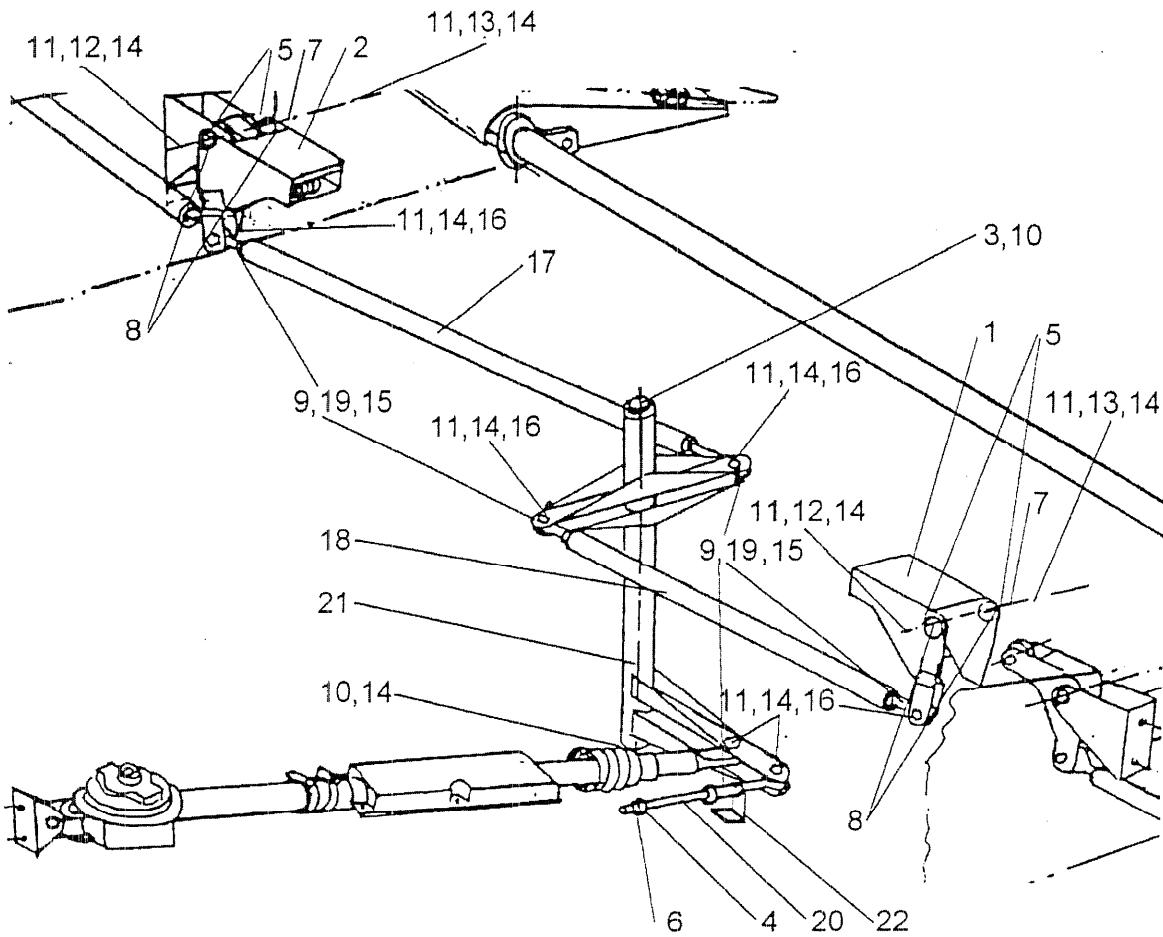
cross section A-A



ASSEMBLY NO.: 2700-01-02
 ASSEMBLY NAME: FLAP CONNECTIONS TO WING

VALID FOR SERIAL N`S:
 20096 AND SUBSEQUENT
 WITHOUT FOLDING
 WING MECHANISM

POS. NO.:	NAME	PART NO.:	QUANTITY PER ASSEMBLY:
1	BELLCRANK ASSEMBLY	D20-2757-30-00	1
2	BELLCRANK	DV2-2750-00-13	1
3	BOLT	DIN933-M6X20-YZP	2
4	HEXAGON NUT	DIN439-BM6-ZP	2
5	SPACER SLEEVE	DV2-2750-00-22	2
6	WASHER	DIN125-6.2-A2	8
7	COLLAR BUSH	PAF08095P11	3
8	BOLT	LN9037-06018	2
9	PEDESTAL	DV2-2750-00-02	1
10	BOLT	LN9037-06040	1
11	SELF LOCKING NUT	DIN985-M6-A2	6
12	SPACER TUBE	BU1-08-06-0264-C	1
13	WASHER	DIN9021-M6-A2	2
14	WING LH	ON REQUEST	1
15	BOLT	DV2-5761-00-01	6
16	ROD END BEARING	DAI-9027-00-01	3
17	BOLT	LN9037-06022	3
18	FLAP ASSEMBLY LH	DV2-5750-00-00-LH	1
19	WING RH	ON REQUEST	1
20	DOWEL PIN	DIN1481-1.5X10-A2	6
21	LOCK WASHER	DIN6797-J8.2-A2	4
22	HEXAGON NUT	DIN934-M8-A2	4
23	PUSH ROD	PR1-16X0,5-8-0303-D	1
24	PUSH ROD	DV2-2750-00-08	1
25	FLAP ASSEMBLY RH	DV2-5750-00-00-RH	1
26	PUSH ROD GUIDE	RG1	1
27	WASHER	DIN125-AM4-ZP	3
28	RIVET	DIN7337-A4X12	3



ASSEMBLY NO.: 2700-01-03
 ASSEMBLY NAME: FLAP BEHIND MAINBULK

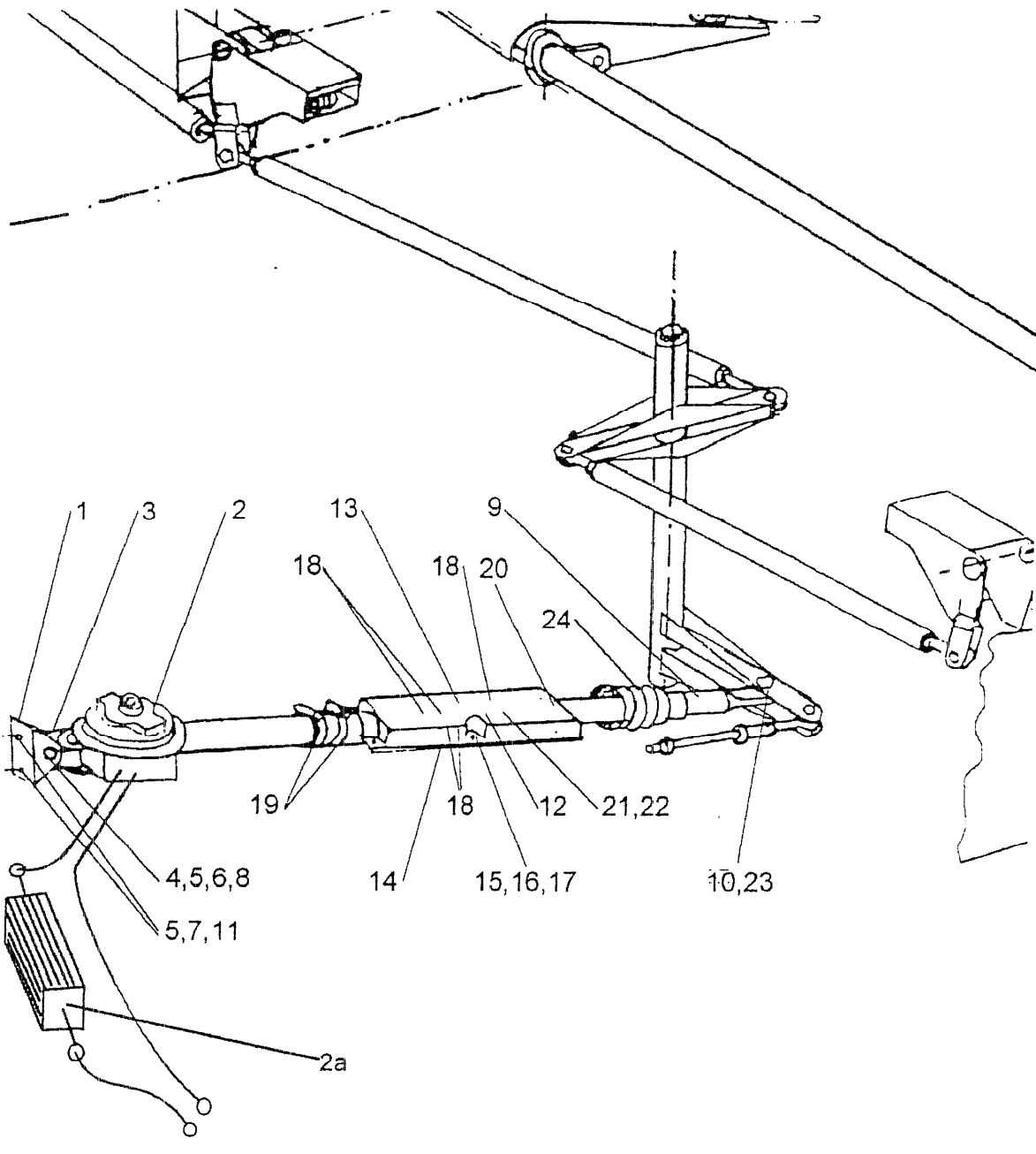
VALID FOR SERIAL N`S:
 20005 AND SUBSEQUENT
 WITH FOLDING
 WING MECHANISM

POS. NO.:	NAME	PART NO.:	QUANTITY PER ASSEMBLY:
1	LH POCKET	ON REQUEST	1
2	RH POCKET	ON REQUEST	1
3	SCREW	DV2-2710-00-08	1
4	POLYAMIDE WASHER	DIN125-A8.4-PA	4
5	SPACER TUBE	DV2-2710-00-12	4
6	SELF LOCKING NUT	LN9348-M8	1
7	SPACER TUBE	DV2-2710-00-13	2
8	COLLAR BUSH	PAF08055P11	4
9	LOCK WASHER	DIN6797-J8.2-A2	5
10	WASHER	DIN9021-M6-A2	2
11	WASHER	DIN94-2X16-ZP	10
12	BOLT	LN9037-M6X26	2
13	BOLT	LN9037-M6X46	2
14	SELF LOCKING NUT	DIN985-M6-A2	11
15	ROD END BEARING	DAI-9027-00-01	5
16	BOLT	LN9037-06020	6
17	PUSH ROD	PR1-20X0,5-8-0595-D	1
18	PUSH ROD	PR1-18X0,5-8-0415-D	1
19	HEXAGON NUT	DIN934-M8-A2	5
20	STOP	DV2-2750-00-12	1
21	BELLCRANK	DV2-2750-07-00	1
22	STOP	DV2-2750-00-15	1

ASSEMBLY NO.: 2700-01-03
 ASSEMBLY NAME: FLAP BEHIND MAINBULK

VALID FOR SERIAL N`S:
 20096 AND SUBSEQUENT
 WITHOUT FOLDING
 WING MECHANISM

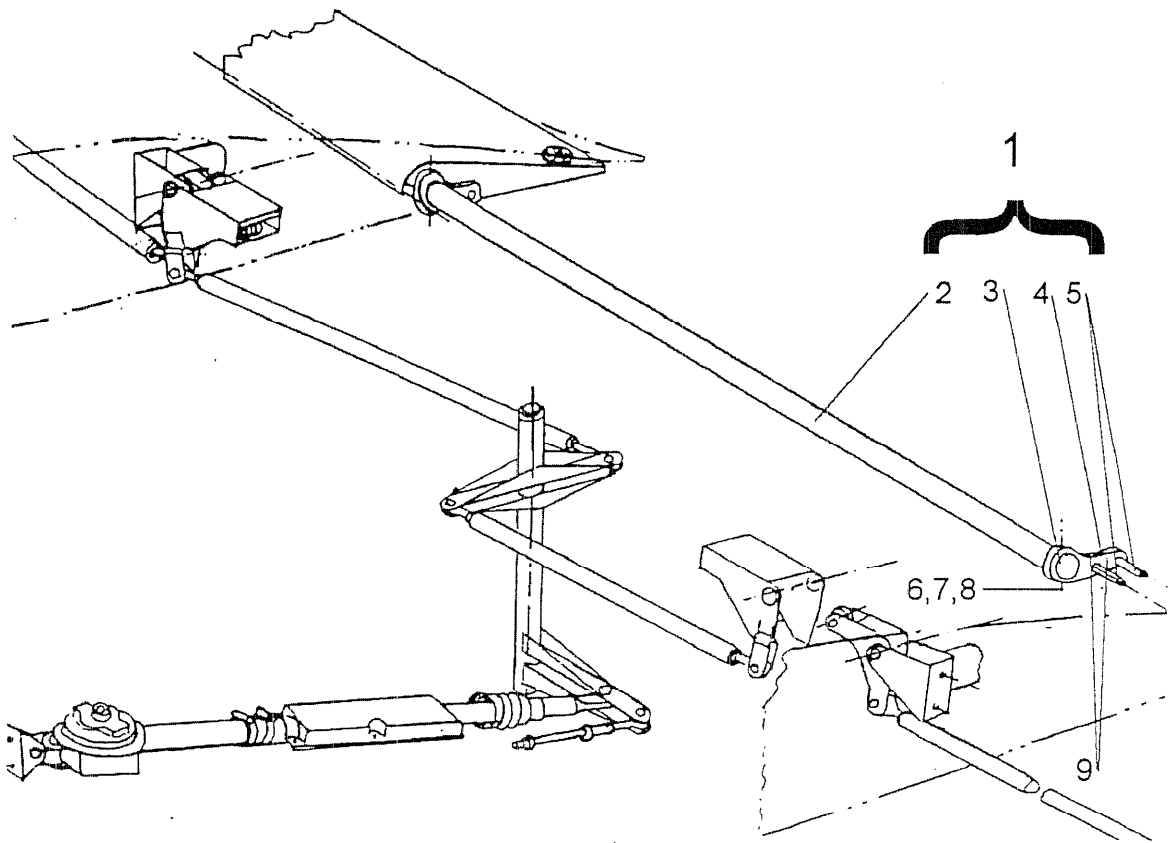
POS. NO.:	NAME	PART NO.:	QUANTITY PER ASSEMBLY:
1	PUSH ROD-LONG	PR1-20X0,5-8-0255-D	1
2	PUSH ROD-SHORT	PR1-20X0,5-8-0070-D	1
3	SCREW	DV2-2710-00-08	1
4	POLYAMIDE WASHER	DIN125-A8.4-PA	4
5	SUPPORT LEVER	DV2-2710-00-03	1
6	SELF LOCKING NUT	LN9348-M8	1
7	PEDESTAL	DV2-2710-00-02	1
8	COLLAR BUSH	PAF08055P11	4
9	LOCK WASHER	DIN6797-J8.2-A2	7
10	WASHER	DIN9021-M6-A2	2
11	WASHER	DIN94-2X16-ZP	8
12	SPACER TUBE	DV2-2710-00-14	1
13	BOLT	LN9037-06050	1
14	SELF LOCKING NUT	DIN985-M6-A2	9
15	ROD END BEARING	DAI-9027-00-01	7
16	BOLT	LN9037-06022	6
17	PUSH ROD-RIGHT	PR1-20X0,5-8-0595-D	1
18	PUSH ROD-WING	PR2-20X0,5-8-6-1045D	2
19	HEXAGON NUT	DIN934-M8-A2	5
20	STOP	DV2-2750-00-12	1
21	BELLCRANK	DV2-2750-07-00	1
22	STOP	DV2-2750-00-15	1
23	BUSH	PAP0808P11	1
24	SLEEVE	BU1-08-06-0089-C1	1
25	ROD	DV2-2750-08-03	1
26	PUSH-PULL ROD BELLOW	V6-156	1
27	TIE-RIP	PLT2SM30	1



ASSEMBLY NO.: 2700-01-04
 ASSEMBLY NAME: FLAP ACTUATOR MOUNTING

VALID FOR SERIAL N'S:
 20005 AND SUBSEQUENT

POS. NO.:	NAME	PART NO.:	QUANTITY PER ASSEMBLY:
1	PEDESTAL	DV2-2750-00-02	1
2	ACTUATOR	CARR22X50X1_D12B	1
2a	RESISTOR FOR ACTUATOR	158-452	1
3	CUBE FITTING	DV2-2750-08-01	1
4	SPACER TUBE	DV2-2750-00-14	1
5	SELF LOCKING NUT	DIN985-M6-A2	3
6	BOLT	LN9037-06040	1
7	BOLT	LN9037-M6X16	2
8	WASHER	DIN125-6.2-A2	1
9	ROD	DV2-2750-08-03	1
10	SLEEVE	BU1-08-06-0089-C1	1
11	WASHER	DIN9021-M6-A2	2
12	CAM	DV2-2750-08-04	1
13	HOUSING	DV20.135180	1
14	PLATE	DV2-2750-08-06	1
15	SELF LOCKING NUT	DIN985-M4-A2	3
16	WASHER	DIN125-AM4-ZP	3
17	BOLT	DIN933-M4X12-8.8-YZP	3
18	MICRO SWITCH	DAI-9052-00-02	5
19	HOSE CLAMP	W2C7_SGT	2
20	COLLAR BUSH	PAF16170P10	1
21	DOWEL PIN	DIN1481-3X16-A2	1
22	DOWEL PIN	DIN1481-3X20	1
23	BUSH	PAP0808P11	1
24	PUSH-PULL ROD BELLOW	V6-156	1



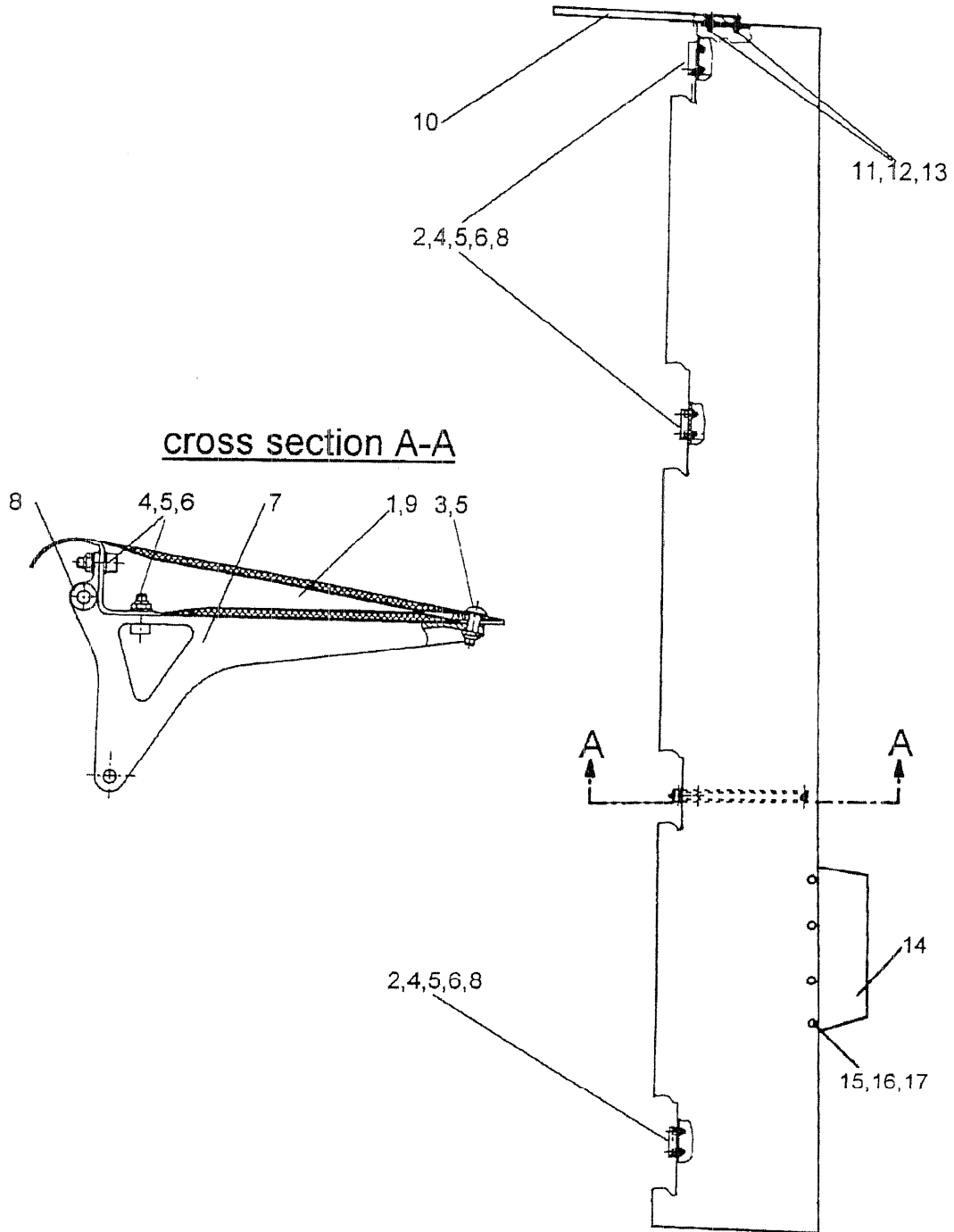
ASSEMBLY NO.: 2700-01-05

ASSEMBLY NAME: TORSION-TUBE ASSEMBLY

VALID FOR SERIAL N`S:

20005 AND SUBSEQUENT

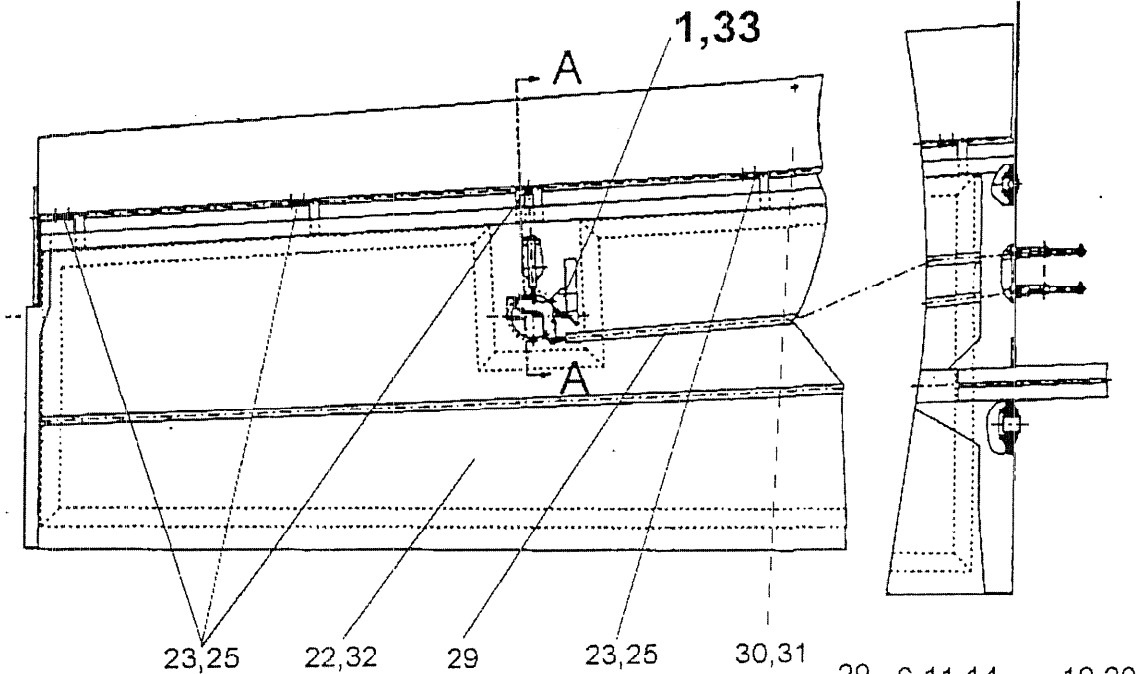
POS. NO.:	NAME	PART NO.:	QUANTITY PER ASSEMBLY:
1	TORSION -TUBE ASSEMBLY	DV2-2750-06-00	1
2	SYNCHRONIZING TUBE	DV2-2750-06-01	1
3	SYNCHRONIZING TUBE INSERT	DV2-2750-06-04	2
4	ALUMINUM FITTING	DV2-2750-06-02	2
5	BOLT	DV2-2750-06-03	4
6	BOLT	LN9037-06050	2
7	SELF LOCKING NUT	DIN985-M6-A2	2
8	WASHER	DIN125-6.2-A2	2
9	DOWEL PIN	DIN1481-1.5X12-A2	4



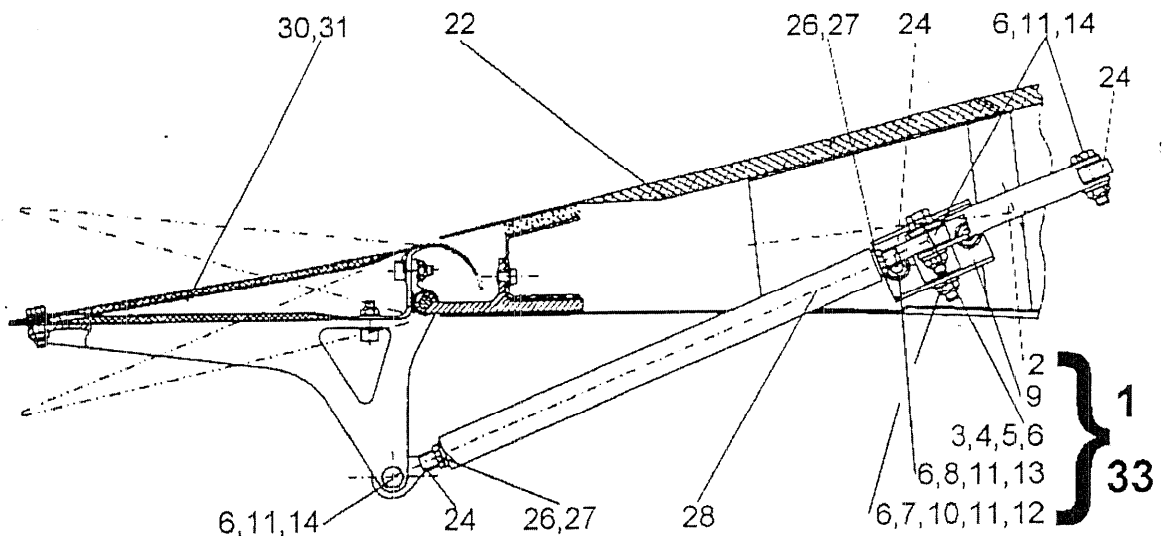
ASSEMBLY NO.: 2700-02-01
 ASSEMBLY NAME: AILERONS ASSEMBLY

VALID FOR SERIAL N'S:
 20005 AND SUBSEQUENT

POS. NO.:	NAME	PART NO.:	QUANTITY PER ASSEMBLY:
1	AILERON LH	DV2-5760-00-00-LH	1
2a	HINGE LH	HI1-LH	3
2b	HINGE RH	HI1-RH	1
3	SCREW	ISO7380-M5X16-A2	8
4	BOLT	ISO4762-M5X16-A2	9
5	SELF LOCKING NUT	LN9348-M5	6
6	WASHER	DIN125-AM5-ZP	1
7	AILERON HORN	DV2-2710-01-03	4
8	COLLAR BUSH	PAF06080P11	1
9	AILERON RH	DV2-5760-00-00-RH	1
10	AILERON BALANCING MASS	DV2-5160-40-01	2
11	SELF LOCKING NUT	DIN985-M6-A2	2
12	WASHER	DIN125-6.2-A2	2
13	BOLT	DV2-5760-00-01	1
14	TRIMMING STRIP	DV2-5540-00-03	4
15	SCREW	ISO7380-M3X10-A2	4
16	SELF LOCKING NUT	DIN985-M3-A2	4
17	WASHER	DIN134-A3.2-ZP	
18	PLUG	GPN320GL10	



cross section A-A



ASSEMBLY NO.: 2700-02-02

VALID FOR SERIAL N`S:

ASSEMBLY NAME: AILERONS CONNECTION TO WING

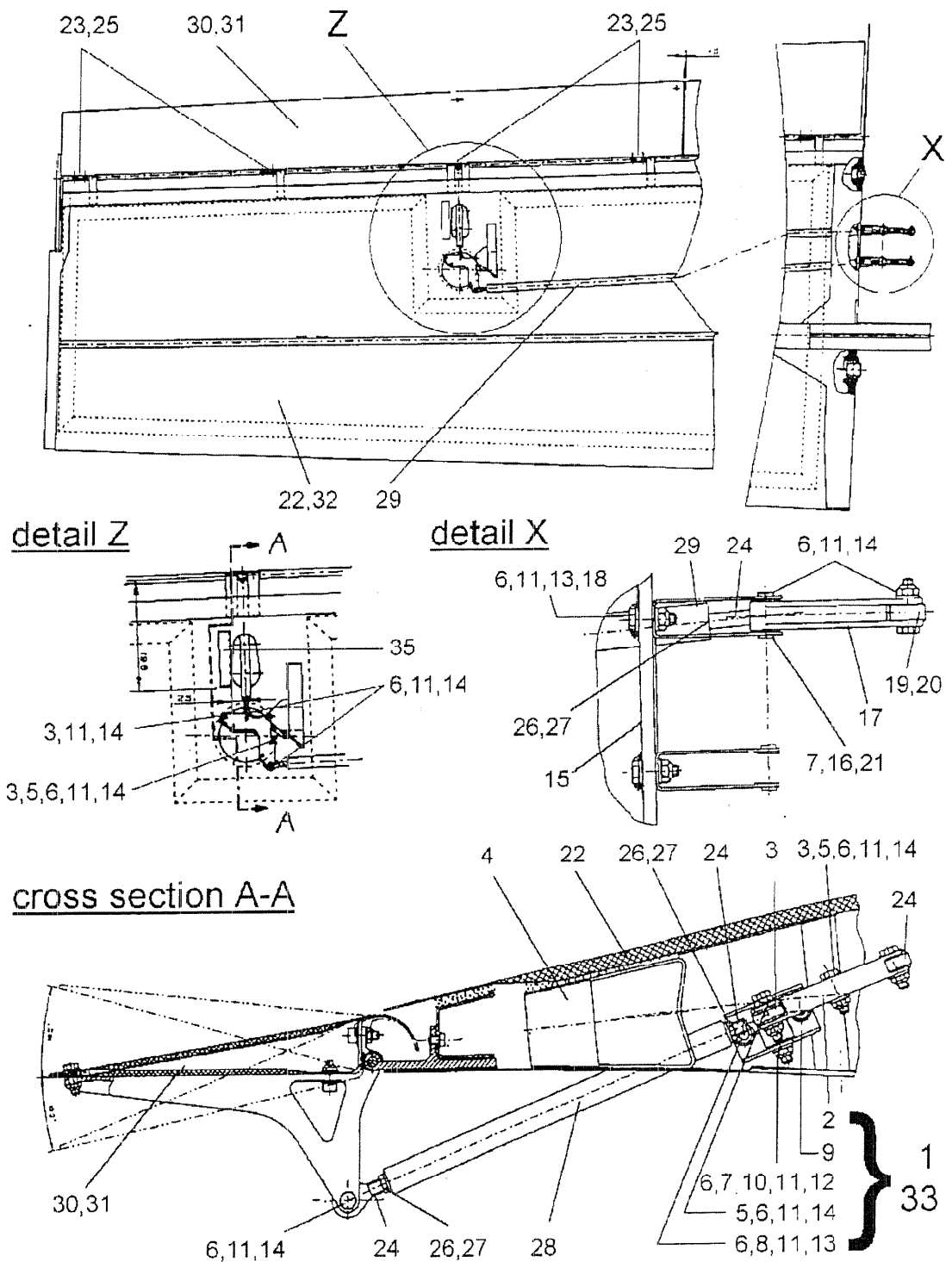
20005 AND SUBSEQUENT

WITH FOLDING WING MECHANISM

EXCEPT WHEN REGISTRATED IN CANADA

POS. NO.:	NAME	PART NO.:	QUANTITY PER ASSEMBLY:
1	BELLCRANK ASSEMBLY LH	D20-2717-31-00	1
2	BELLCRANK	DV2-2750-00-13	1
3	BOLT	DIN933-M6X20-YZP	1
4	HEXAGON NUT	DIN439-BM6-ZP	1
5	SPACER SLEEVE	DV2-2750-00-22	1
6	WASHER	DIN125-6.2-A2	11
7	COLLAR BUSH	PAF08095P11	4
8	BOLT	LN9037-06018	2
9	PEDESTAL	DV2-2750-00-02	1
10	BOLT	LN9037-06040	1
11	SELF LOCKING NUT	DIN985-M6-A2	12
12	SPACER TUBE	BU1-08-06-0264-C	1
13	WASHER	DIN9021-M6-A2	6
14	BOLT	LN9037-06022	5
15	PEDESTAL	DV2-2710-00-04	1
16	RIVETING JOURNAL	N000014	1
17	BELLCRANK	DV2-2710-00-01	1
18	BOLT	LN9037-M6X12	4
19	ROLLER	DV2-2750-00-09	1
20	SLEEVE	DV2-2750-00-04	1
21	SPACER TUBE	DV2-2710-00-07	1
22	WING LH	ON REQUEST	1
23	BOLT	DV2-5761-00-01	4
24	ROD END BEARING	DAI-9027-00-01	4
25	DOWEL PIN	DIN1481-1.5X10-A2	4
26	LOCK WASHER	DIN6797-J8.2-A2	4
27	HEXAGON NUT	DIN934-M8-A2	4
28	PUSH ROD	PR1-16X0,5-8-0210-D	1
29	PUSH ROD	PR1-20X0,5-8-3290-D	1
30	AILERON ASSEMBLY LH	DV2-5760-00-00-LH	1
31	AILERON ASSEMBLY RH	DV2-5760-00-00-RH	1
32	WING RH	ON REQUEST	1
33	BELLCRANK ASSEMBLY RH	D20-2717-32-00	1

DATE OF ISSUE:
JUL 1, 2010REV. NO.:
4PAGE NO.:
D/2700-02-02/1

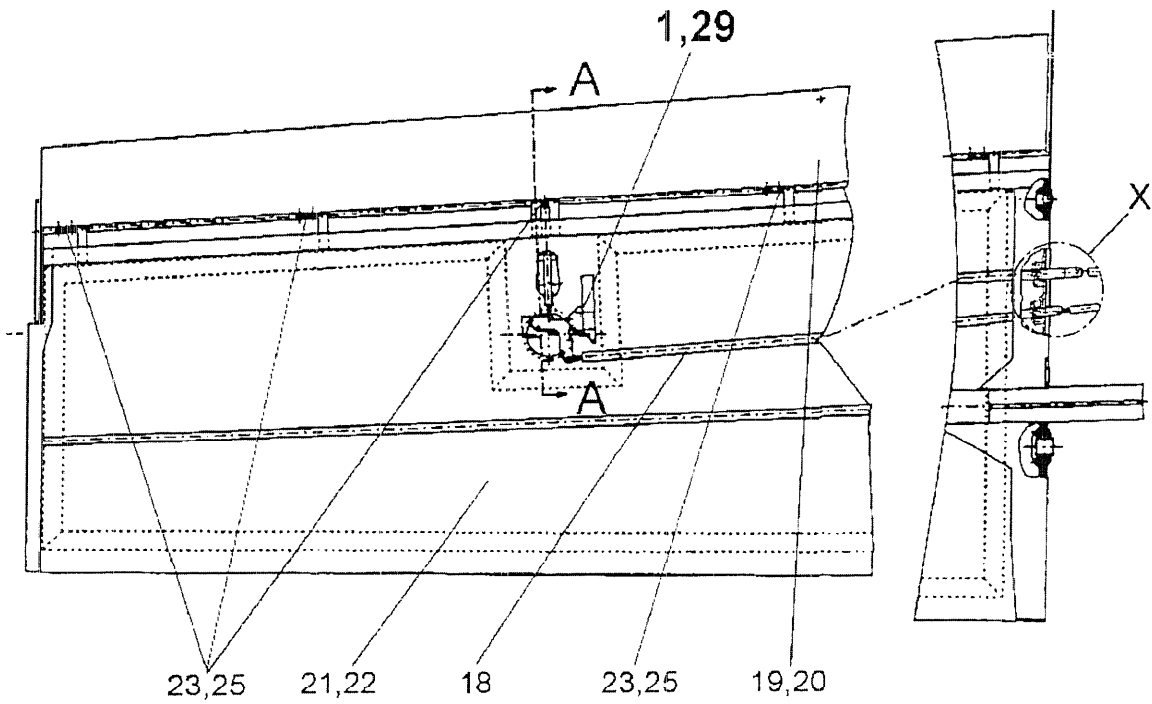


ASSEMBLY NO.: 2700-02-02
 ASSEMBLY NAME: AILERONS CONNECTION TO WING

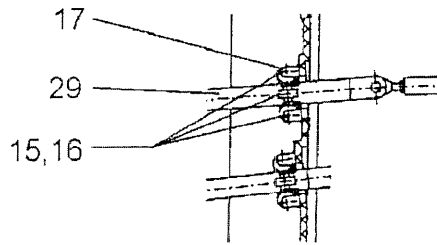
VALID FOR SERIAL N`S:
 20005 TO 20095
 WHEN REGISTRATED
 IN CANADA

POS. NAME PART NO.: QUANTITY PER
 NO.: ASSEMBLY:

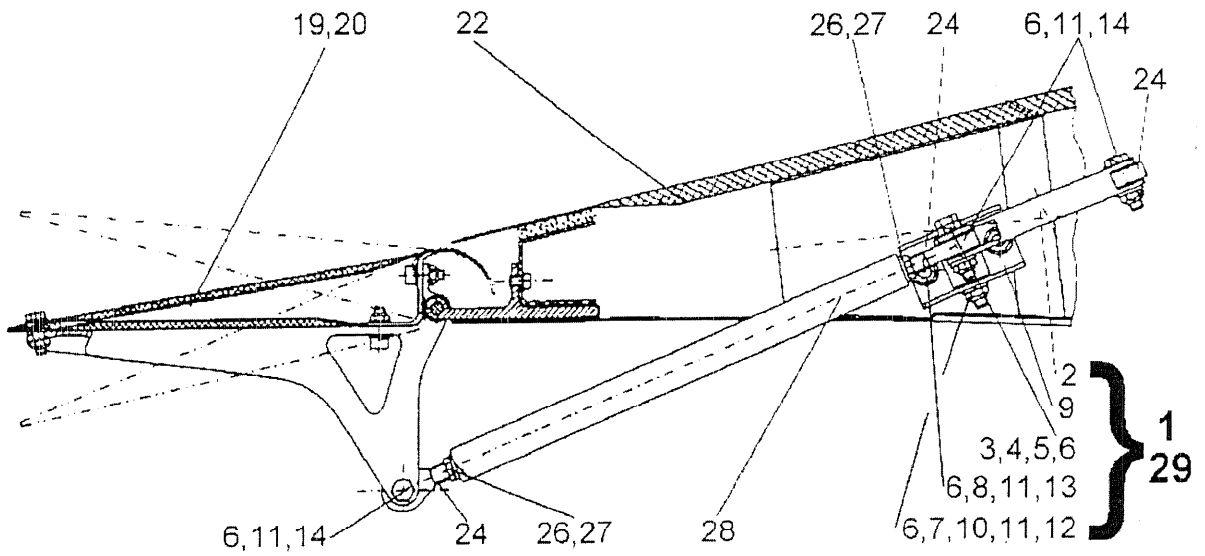
1	BELLCRANK ASSEMBLY LH	D20-2717-31-00	1
2	BELLCRANK	DV2-2750-00-13	1
3	STOP	DV2-3210-00-07	1
4	RIB	820-2710-04-01	1
5	SPACER SLEEVE	DV2-2750-00-22	2
6	WASHER	DIN125-6.2-A2	12
7	COLLAR BUSH	PAF08095P11	4
8	BOLT	LN9037-06018	2
9	PEDESTAL	DV2-2750-00-02	1
10	BOLT	LN9037-06040	1
11	SELF LOCKING NUT	DIN985-M6-A2	14
12	SPACER TUBE	BU1-08-06-0264-C	1
13	WASHER	DIN9021-M6-A2	6
14	BOLT	LN9037-06022	7
15	PEDESTAL	DV2-2710-00-04	1
16	RIVETING JOURNAL	N000014	1
17	BELLCRANK	DV2-2710-00-01	1
18	BOLT	LN9037-M6X12	4
19	ROLLER	DV2-2750-00-09	1
20	SLEEVE	BU1-08-06-0089-C1	1
21	SPACER TUBE	BU1-08-06-0179-C1	1
22	WING LH	ON REQUEST	1
23	BOLT	DV2-5761-00-01	4
24	ROD END BEARING	DAI-9027-00-01	4
25	DOWEL PIN	DIN1481-1.5X10-A2	4
26	LOCK WASHER	DIN6797-J8.2-A2	4
27	HEXAGON NUT	DIN934-M8-A2	4
28	PUSH ROD	PR1-16X0,5-8-0210-D	1
29	PUSH ROD	PR1-20X0,5-8-3290-D	1
30	AILERON ASSEMBLY LH	DV2-5760-00-00-LH	1
31	AILERON ASSEMBLY RH	DV2-5760-00-00-RH	1
32	WING RH	ON REQUEST	1
33	BELLCRANK ASSEMBLY RH	D20-2717-32-00	1



detail X



cross section A-A



ASSEMBLY NO.: 2700-02-02

VALID FOR SERIAL N`S:

ASSEMBLY NAME: AILERONS CONNECTION TO WING

20005 AND SUBSEQUENT

WITHOUT FOLDING

WING MECHANISM

POS. NO.:	NAME	PART NO.:	QUANTITY PER ASSEMBLY:
1	BELLCRANK ASSEMBLY LH	D20-2717-31-00	1
2	BELLCRANK	DV2-2750-00-13	1
3	BOLT	DIN933-M6X20-YZP	1
4	HEXAGON NUT	DIN439-BM6-ZP	1
5	SPACER SLEEVE	DV2-2750-00-22	1
6	WASHER	DIN125-6.2-A2	7
7	COLLAR BUSH	PAF08095P11	3
8	BOLT	LN9037-06018	2
9	PEDESTAL	DV2-2750-00-02	1
10	BOLT	LN9037-06040	1
11	SELF LOCKING NUT	DIN985-M6-A2	6
12	SPACER TUBE	BU1-08-06-0264-C	1
13	WASHER	DIN9021-M6-A2	2
14	BOLT	LN9037-06022	3
15	WASHER	DIN125-AM4-ZP	3
16	RIVET	DIN7337-A4X12	3
17	PUSH ROD GUIDE	RG1	1
18	PUSH ROD	PR2-20X0,5-8-6-3315D	1
19	AILERON ASSEMBLY LH	DV2-5760-00-00-LH	1
20	AILERON ASSEMBLY RH	DV2-5760-00-00-RH	1
21	WING RH	ON REQUEST	1
22	WING LH	ON REQUEST	1
23	BOLT	DV2-5761-00-01	4
24	ROD END BEARING	DAI-9027-00-01	4
25	DOWEL PIN	DIN1481-1.5X10-A2	4
26	LOCK WASHER	DIN6797-J8.2-A2	3
27	HEXAGON NUT	DIN934-M8-A2	3
28	PUSH ROD	PR1-16X0,5-8-0210-D	1
29	BELLCRANK ASSEMBLY RH	D20-2717-32-00	1

DATE OF ISSUE:

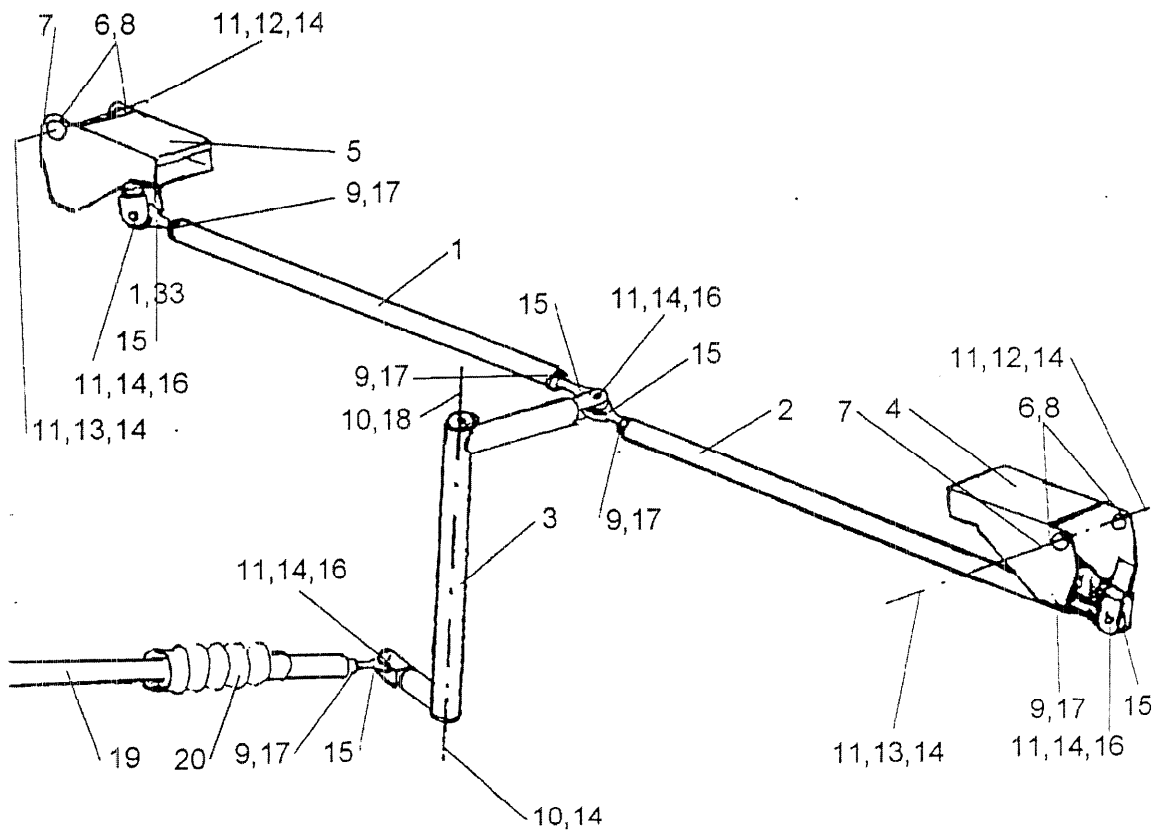
JUL. 1, 2010

REV. NO.:

4

PAGE NO.:

D/2700-02-02/3



ASSEMBLY NO.: 2700-03-01

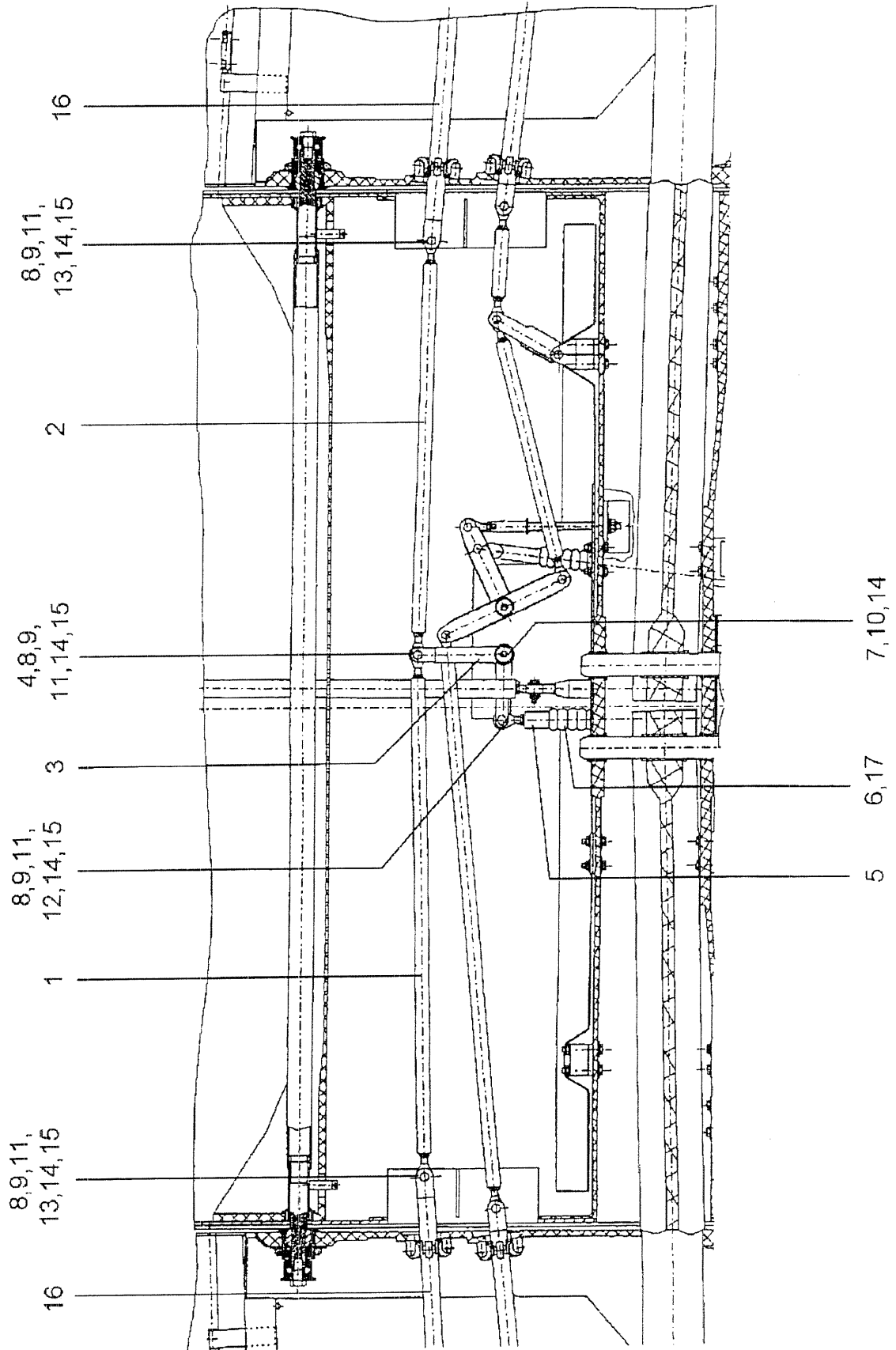
VALID FOR SERIAL N`S:

ASSEMBLY NAME: AILERON BEHIND MAINBULK

20005 AND SUBSEQUENT

WITH FOLDING WING MECHANISM

POS. NO.:	NAME	PART NO.:	QUANTITY PER ASSEMBLY:
1	PUSH ROD	PR1-18X0,5-8-0525-D	1
2	PUSH ROD	PR1-18X0,5-8-0415-D	1
3	BELLCRANK	820-2710-03-01	1
4	LH POCKET	ON REQUEST	1
5	RH POCKET	ON REQUEST	1
6	SPACER TUBE	DV2-2710-00-12	4
7	SPACER TUBE	DV2-2710-00-13	2
8	COLLAR BUSH	PAF08055P11	4
9	LOCK WASHER	DIN6797-J8.2-A2	5
10	WASHER	DIN9021-M6-A2	2
11	WASHER	DIN94-2X16-ZP	8
12	BOLT	LN9037-M6X26	2
13	BOLT	LN9037-M6X46	2
14	SELF LOCKING NUT	DIN985-M6-A2	9
15	ROD END BEARING	DAI-9027-00-01	5
16	BOLT	LN9037-06020	4
17	HEXAGON NUT	DIN934-M8-A2	5
18	SCREW	DV2-2710-00-08	1
19	PUSH ROD	PR1-18X0,5-8-0640-D	1
20	PUSH-PULL ROD BELLOW	V6-156	1



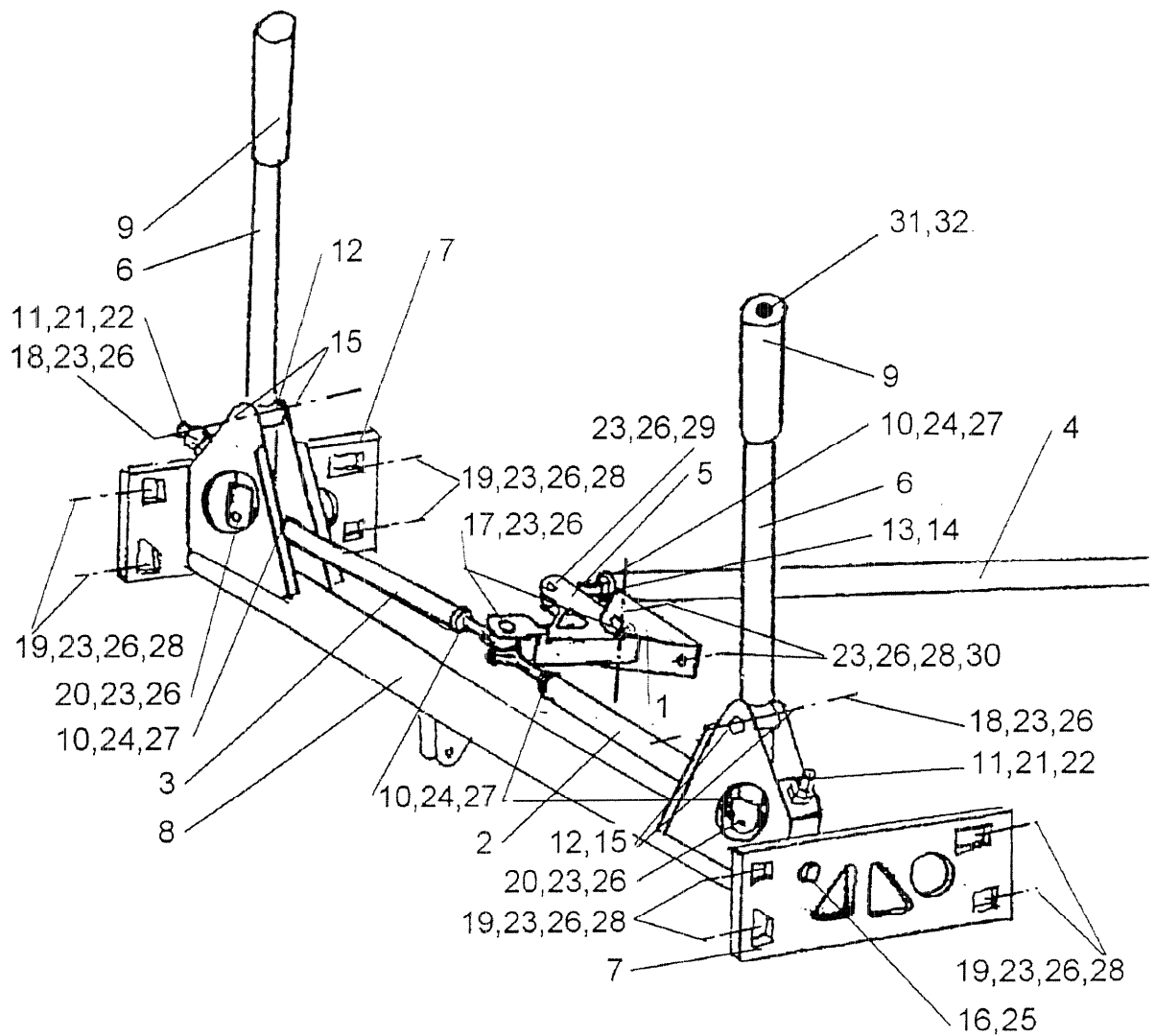
ASSEMBLY NO.: 2700-03-01

VALID FOR SERIAL N`S:

ASSEMBLY NAME: AILERON BEHIND MAINBULK

20096 AND SUBSEQUENT
WITHOUT FOLDING
WING MECHANISM

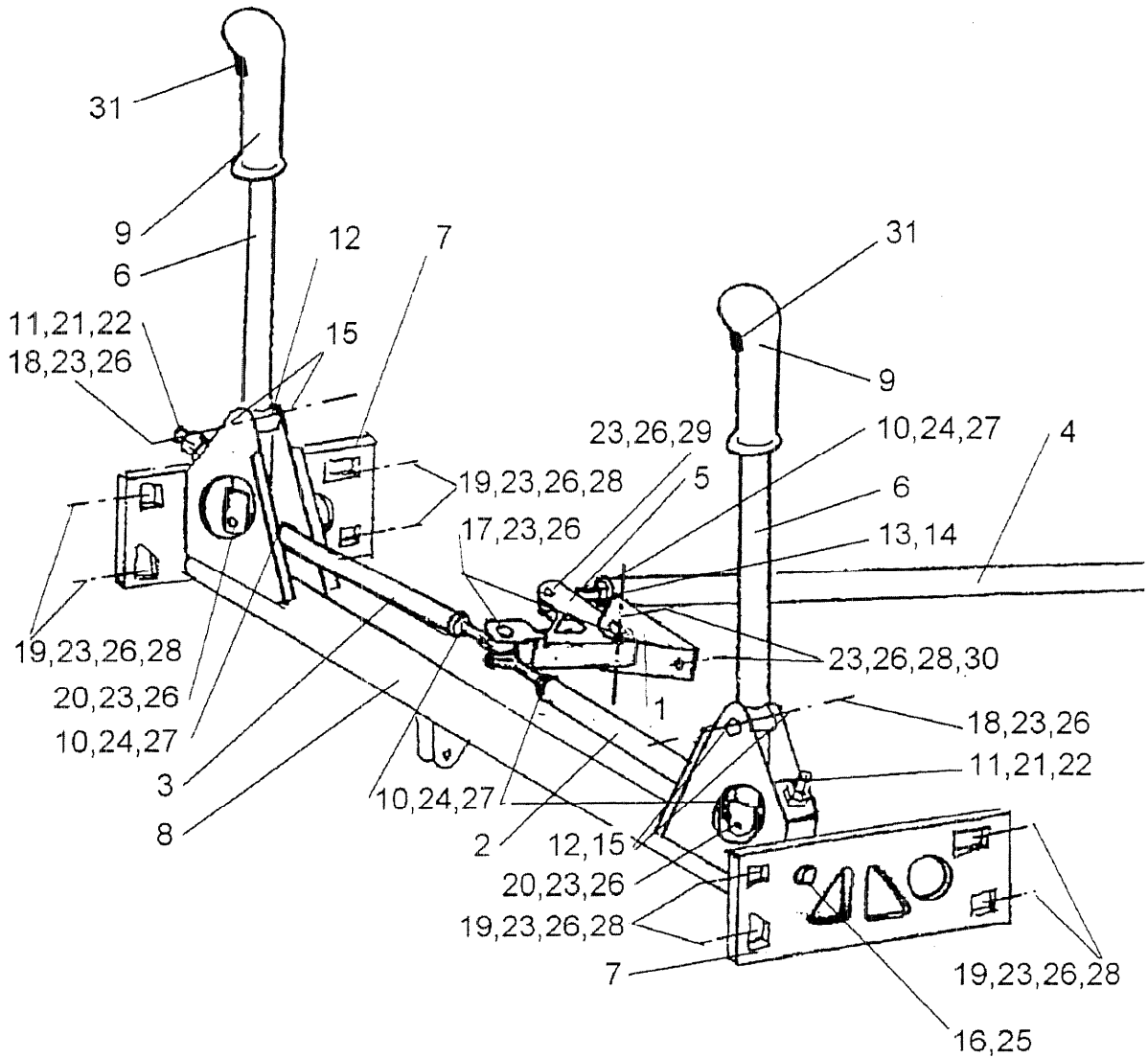
POS. NO.:	NAME	PART NO.:	QUANTITY PER ASSEMBLY:
1	PUSH ROD	PR1-18X0,5-8-0525-D	1
2	PUSH ROD	DV2-2710-00-10	1
3	BELLCRANK	820-2710-03-01	1
4	BOLT	LN9037-M6X32	1
5	PUSH ROD	PR1-18X0,5-8-0640-D	1
6	PUSH-PULL ROD BELLOW	V6-156	1
7	SCREW	DV2-2710-00-08	1
8	HEXAGON NUT	DIN934-M8-A2	4
9	LOCK WASHER	DIN6797-J8.2-A2	5
10	WASHER	DIN9021-M6-A2	2
11	WASHER	DIN94-2X16-ZP	4
12	BOLT	LN9037-M6X26	1
13	BOLT	LN9037-06022	2
14	SELF LOCKING NUT	DIN985-M6-A2	5
15	ROD END BEARING	DAI-9027-00-01	5
16	PUSH ROD WING	PR2-20X0,5-8-6-3315D	2
17	TIE-RIP	PLT2SM30	1



ASSEMBLY NO.: 2700-03-02
 ASSEMBLY NAME: AILERON CONTROL

VALID FOR SERIAL N`S:
 20005 TO 20045

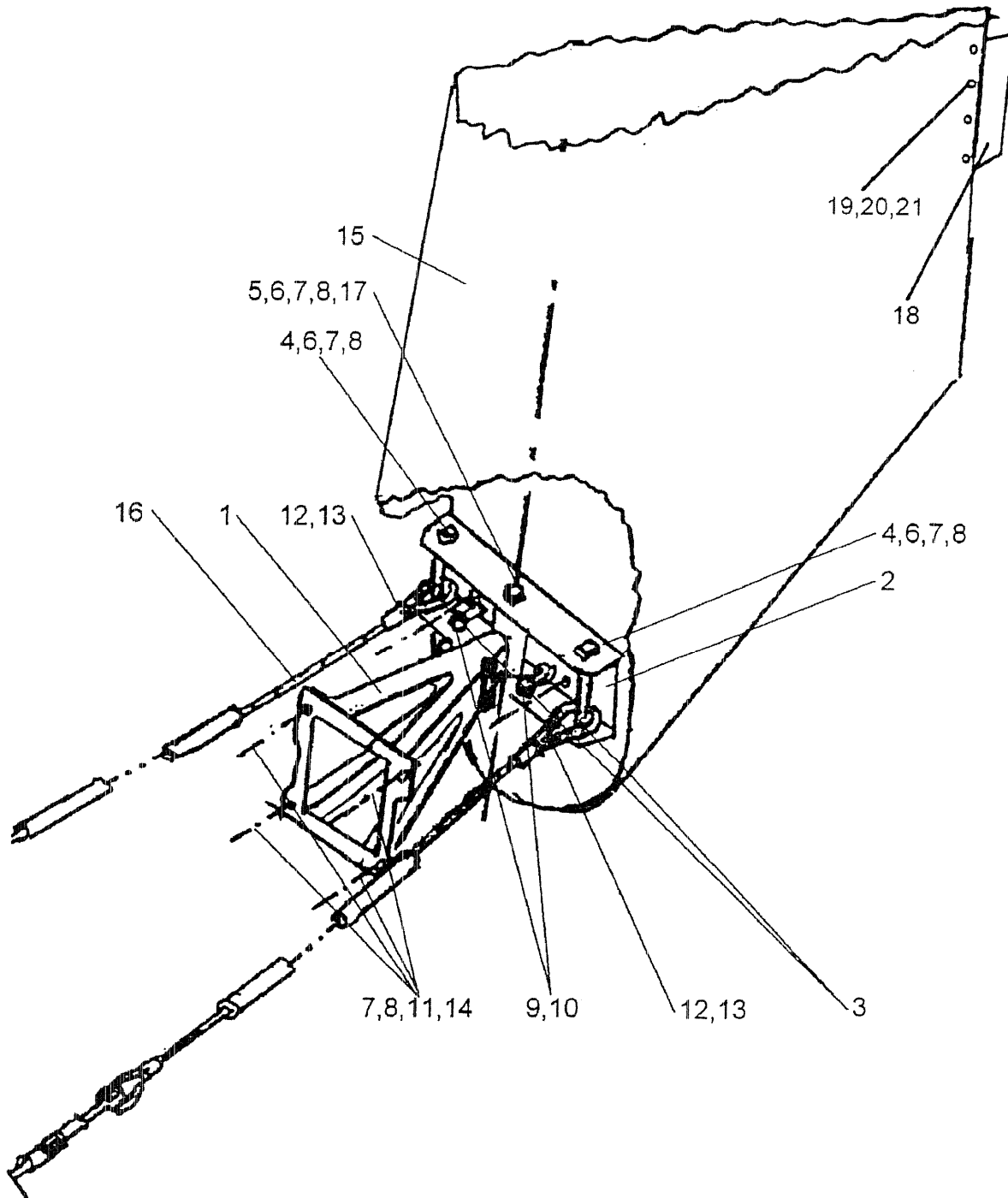
POS. NO.:	NAME	PART NO.:	QUANTITY PER ASSEMBLY:
1	PEDESTAL	DV2-2704-00-01	1
2	PUSH ROD	PR1-18X0,5-8-0100-D	1
3	PUSH ROD	PR1-18X0,5-8-0260-D	1
4	PUSH ROD	PR1-18X0,5-8-0640-D	1
5	BELLCRANK	DV2-2704-00-03	1
6	CONTROL STICK	DV2-2704-00-04	2
7	PEDESTAL	DV2-2704-00-06	2
8	CONTROL STICK BRACKET	DV2-2704-01-00	1
9	CONTROL STICK GRIP	762	2
10	ROD END BEARING	DAI-9027-00-01	5
11	SELF LOCKING NUT	DIN985-M10-A2	2
12	SPACER SLEEVE	DV2-2704-00-12	2
13	SPACER SLEEVE	DV2-2704-00-13	1
14	COLLAR BUSH	PAF08075P10	2
15	COLLAR BUSH	PAF08095P11	4
16	COLLAR BUSH	PAF10090P10	2
17	BOLT	LN9037-M6X35	2
18	BOLT	LN9037-M6X48	2
19	BOLT	LN9037-06025	8
20	BOLT	LN9037-06028	2
21	BOLT	ISO4017-M10X40-YZP	2
22	SELF LOCKING NUT	DIN985-M10-A2	2
23	SELF LOCKING NUT	DIN985-M6-A2	17
24	HEXAGON NUT	DIN934-M8-A2	5
25	WASHER	DIN125-BM10-ZP	2
26	WASHER	DIN125-6.2-A2	17
27	LOCK WASHER	DIN6797-J8.2-A2	5
28	WASHER	DIN9021-M6-A2	10
29	BOLT	LN9037-06022	1
30	BOLT	LN9037-M6X16	2
31	TRANSMIT BUTTON	431.011	2
32	TRANSMIT BUTTON MOUNT	820-3400-01-01	2



ASSEMBLY NO.: 2700-03-02
 ASSEMBLY NAME: AILERON CONTROL

VALID FOR SERIAL N`S:
 20046 AND SUBSEQUENT

POS. NO.:	NAME	PART NO.:	QUANTITY PER ASSEMBLY:
1	PEDESTAL	DV2-2704-00-01	1
2	PUSH ROD	PR1-18X0,5-8-0100-D	1
3	PUSH ROD	PR1-18X0,5-8-0260-D	1
4	PUSH ROD	PR1-18X0,5-8-0640-D	1
5	BELLCRANK	DV2-2704-00-03	1
6	CONTROL STICK	DV2-2704-00-04	2
7	PEDESTAL	DV2-2704-00-06	2
8	CONTROL STICK BRACKET	DV2-2704-01-00	1
9	CONTROL STICK GRIP	DV2.180680	2
10	ROD END BEARING	DAI-9027-00-01	5
11	SELF LOCKING NUT	DIN985-M10-A2	2
12	SPACER SLEEVE	DV2-2704-00-12	2
13	SPACER SLEEVE	DV2-2704-00-13	1
14	COLLAR BUSH	PAF08095P11	2
15	COLLAR BUSH	PAF08095P11	4
16	COLLAR BUSH	PAF10090P10	2
17	BOLT	LN9037-M6X35	2
18	BOLT	LN9037-M6X48	2
19	BOLT	LN9037-06025	8
20	BOLT	LN9037-06028	2
21	BOLT	ISO4017-M10X40-YZP	2
22	SELF LOCKING NUT	DIN985-M10-A2	2
23	SELF LOCKING NUT	DIN985-M6-A2	17
24	HEXAGON NUT	DIN934-M8-A2	5
25	WASHER	DIN125-BM10-ZP	2
26	WASHER	DIN125-6.2-A2	17
27	LOCK WASHER	DIN6797-J8.2-A2	5
28	WASHER	DIN9021-M6-A2	10
29	BOLT	LN9037-06022	1
30	BOLT	LN9037-M6X16	2
31	TRANSMIT BUTTON	DA40.161350	2



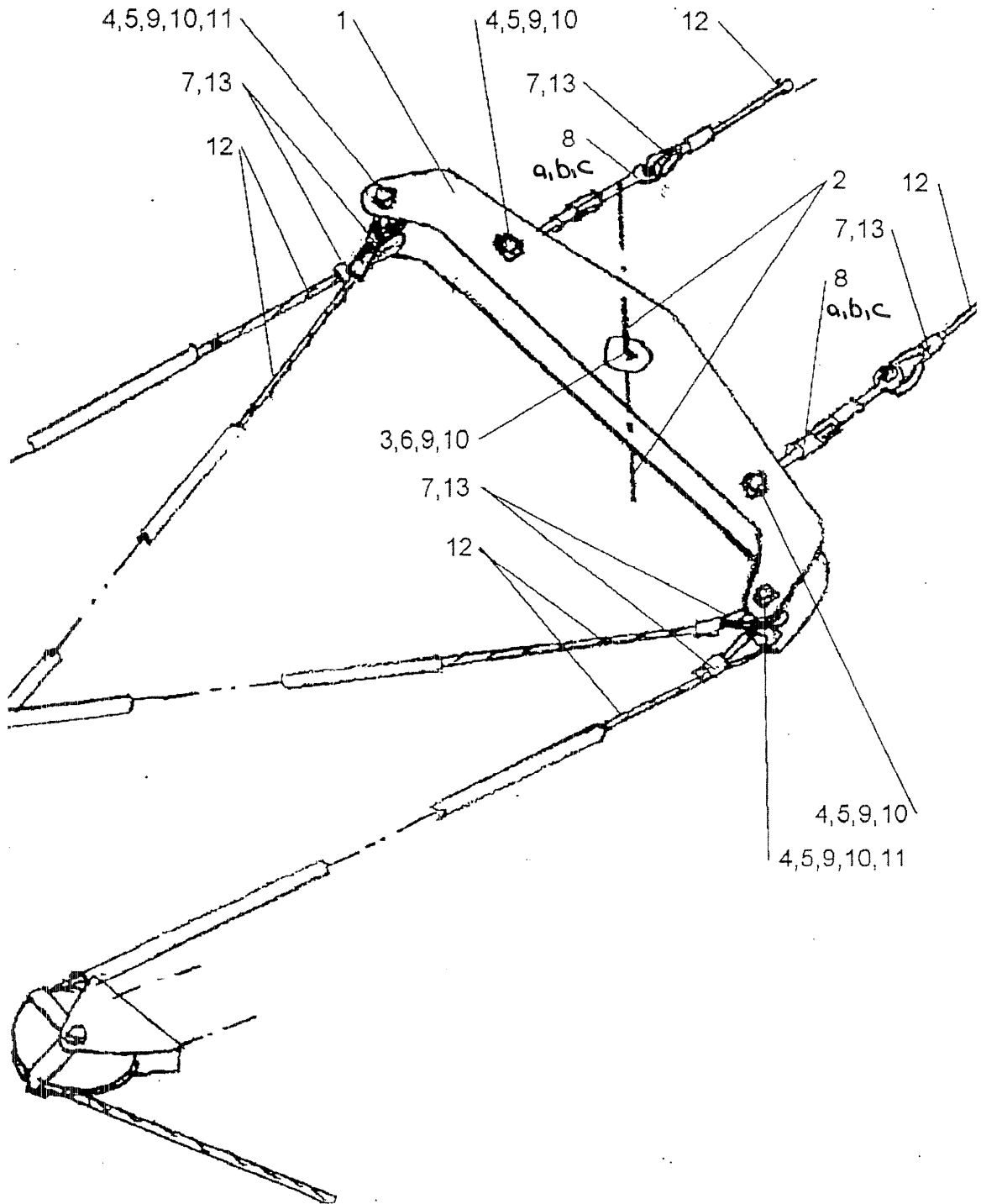
ASSEMBLY NO.: 2700-04-01

ASSEMBLY NAME: RUDDER CONNECTION TO FIN

VALID FOR SERIAL N'S:

20005 AND SUBSEQUENT

POS. NO.:	NAME	PART NO.:	QUANTITY PER ASSEMBLY:
1	RUDDER PEDESTAL	DV2-5545-01-00	1
2	MOUNTING BRACKET	DV2-5540-00-04	1
3	BUSH-CONICAL	820-3720-01-11	2
4	SPACER TUBE	820-3720-01-14	2
5	SPACER SLEEVE	DV2-5540-00-05	1
6	BOLT	LN9037-M6X58	3
7	SELF LOCKING NUT	DIN985-M6-A2	7
8	WASHER	DIN125-6.2-A2	7
9	BOLT	DIN933-M6X25-8.8-YZP	2
10	HEXAGON NUT	DIN439-BM6-ZP	2
11	BOLT	LN9037-M6X16	4
12	CABLE EYE STIFFENER	DS-TH1-32-12	2
13	CABLE CLAMP	217283	2
14	WASHER	DIN9021-M6-A2	4
15	RUDDER	820-5540-00-00	1
16	CONTROL CABLE	SF12579	2
17	COLLAR BUSCH	PAF08095P11	2
18	TRIMMING STRIP	DV2-5540-00-03	1
19	SCREW	ISO7380-M3X10-A2	4
20	SELF LOCKING NUT	DIN985-M3-A2	4
21	WASHER	DIN134-A3.2-ZP	4



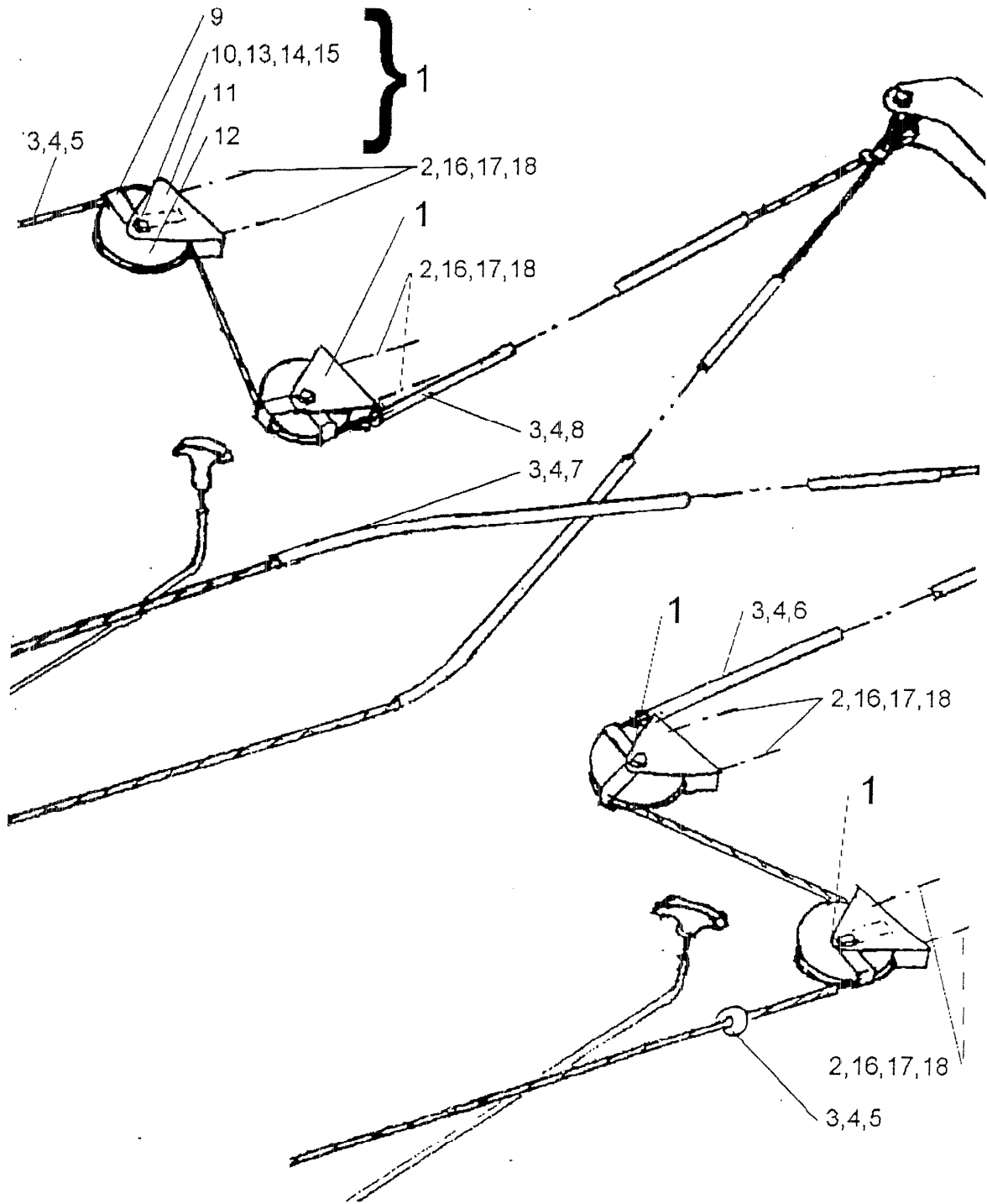
ASSEMBLY NO.: 2700-04-02

VALID FOR SERIAL N`S:

ASSEMBLY NAME: RUDDER LEVER INSTALLATION

20005 AND SUBSEQUENT

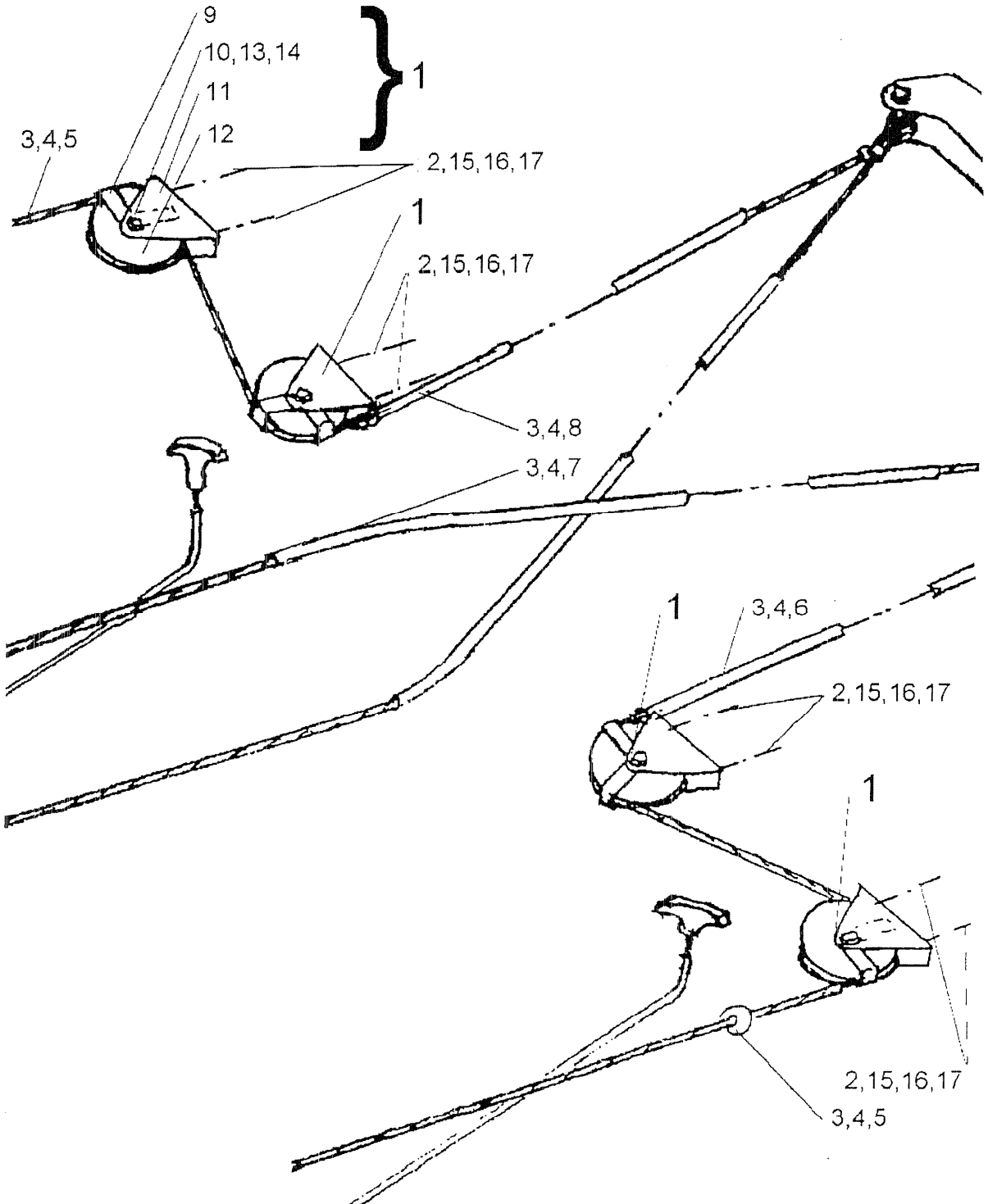
POS. NO.:	NAME	PART NO.:	QUANTITY PER ASSEMBLY:
1	RUDDER LEVER	DV2-2720-00-03	1
2	COLLAR BUSH	PAF08095P11	2
3	SPACER SLEEVE	DV2-2720-00-01	1
4	SPACER SLEEVE	DV2-2720-00-02	4
5	BOLT	LN9037-M6X30	4
6	BOLT	LN9037-M6X44	1
7	CABLE CLAMP	217283	6
8a	TURNBUCKLE	MS21255-5RS	2
8b	TURNBUCKLE	MS21255-5LS	5
8c	TURNBUCKLE	MS21251-B5S	6
9	SELF LOCKING NUT	DIN985-M6-A2	8
10	WASHER	DIN134-A6,4-A2	6
11	POLYAMIDE WASHER	DIN125-A8.4-PA	6
12	CONTROL CABLE	SF12579	
13	CABLE EYE STIFFENER	AN100-5	
14	BUSHING	PAF08095P11	



ASSEMBLY NO.: 2700-04-03
ASSEMBLY NAME: ROLLER ASSEMBLY

VALID FOR SERIAL N`S:
20005 TO 20052

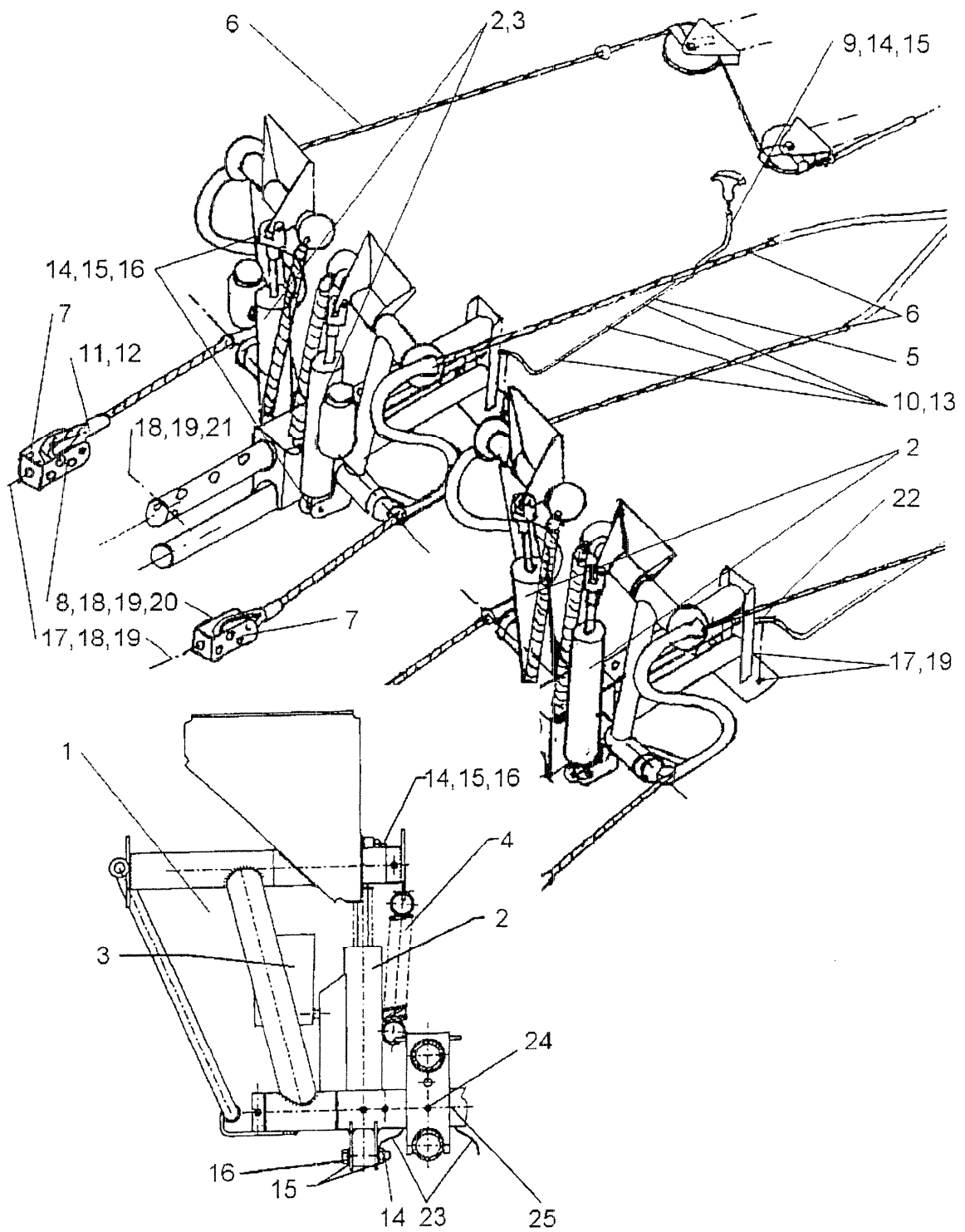
POS. NO.:	NAME	PART NO.:	QUANTITY PER ASSEMBLY:
1	ROLLER ASSEMBLY	DV2-2720-01-00	4
2	BOLT	LN9037-M6X16	8
3	POLYAMIDE WASHER	DIN125-A8.4-PA	8
4	OETIKER TYPE CLAMP	15400022	8
5	HOSE	157727	2
6	HOSE	157727	1
7	HOSE	157727	2
8	HOSE	157727	1
9	PLATE	DV2-2720-01-02	8
10	BOLT	LN9037-M8X32	4
11	BRACKET	DV2-2720-01-01	4
12	ROLLER	MS24566-4B	4
13	SELF LOCKING NUT	LN9348-M8	4
14	BALL BEARING	N000017	4
15	WASHER	BN567-8	20
16	SELF LOCKING NUT	DIN985-M6-A2	8
17	WASHER	DIN125-6.2-A2	8
18	WASHER	DIN9021-M6-A2	8



ASSEMBLY NO.: 2700-04-03
 ASSEMBLY NAME: ROLLER ASSEMBLY

VALID FOR SERIAL N`S:
 20053 AND SUBSEQUENT

POS. NO.:	NAME	PART NO.:	QUANTITY PER ASSEMBLY:
1	ROLLER ASSEMBLY	DV2-2720-01-00	4
2	BOLT	LN9037-M6X16	8
3	POLYAMIDE WASHER	DIN125-A8.4-PA	8
4	OETIKER TYPE CLAMP	15400022	8
5	HOSE	157727	2
6	HOSE	157727	1
7	HOSE	157727	2
8	HOSE	157727	1
9	PLATE	DV2-2720-01-02	8
10	BOLT	LN9037-06028	4
11	BRACKET	DV2-2720-01-01	4
12	ROLLER	MS24566-4B	4
13	SELF LOCKING NUT	DIN985-M6-A2	4
14	WASHER	DIN125-6.2-A2	20
15	SELF LOCKING NUT	DIN985-M6-A2	8
16	WASHER	DIN125-6.2-A2	8
17	WASHER	DIN9021-M6-A2	8

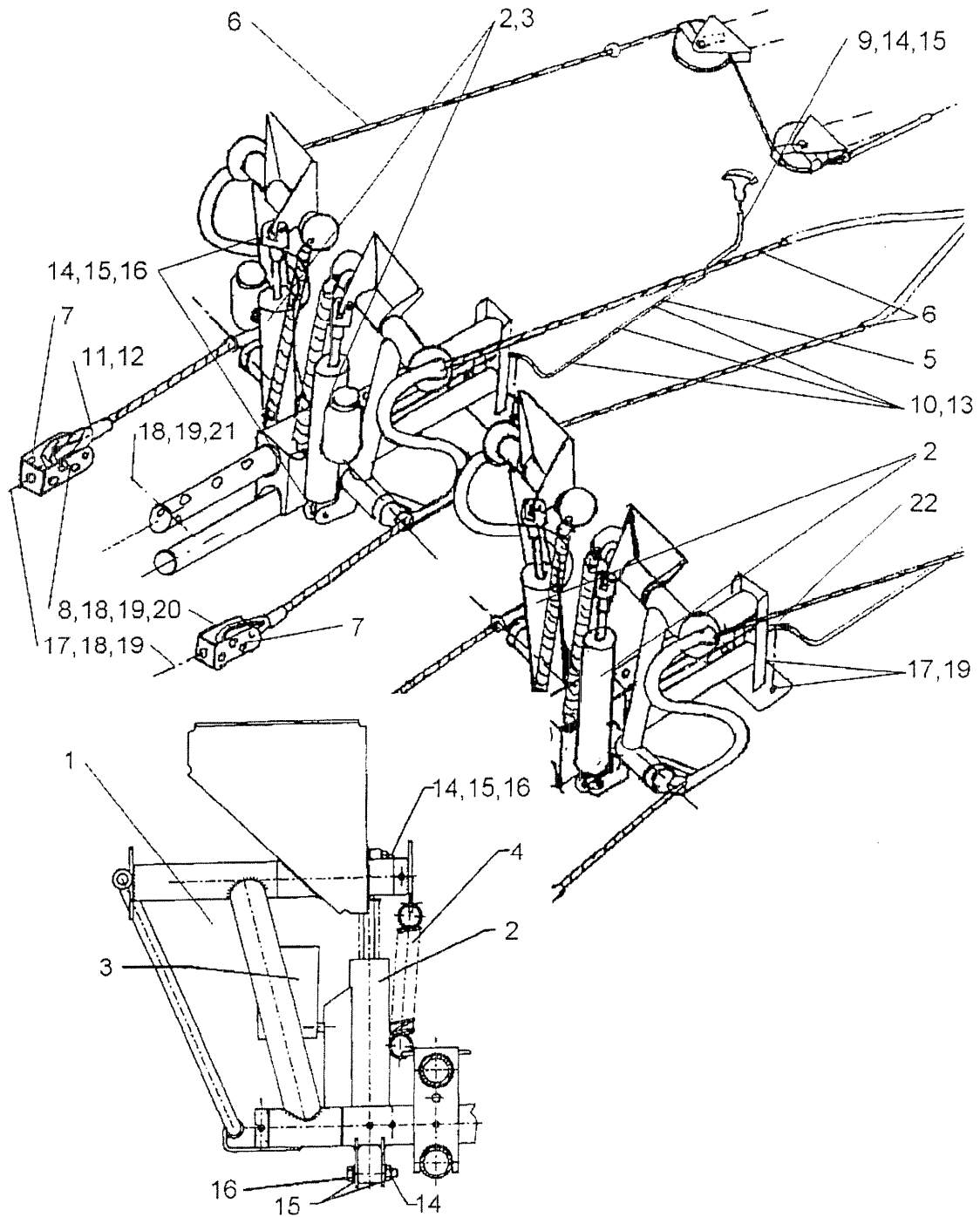


ASSEMBLY NO.: 2700-04-04

ASSEMBLY NAME: RUDDER PEDAL ADJUSTMENT

VALID FOR SERIAL N'S:
20005 TO 20121

POS. NO.:	NAME	PART NO.:	QUANTITY PER ASSEMBLY:
1	RUDDER PEDAL ADJUSTMENT DV	DV2-2722-00-00	2
2	BRAKE CYLINDER	MC-4D-MOD	4
3	BRAKE FLUID RESERVOIR	A600	2
4	SPRING	Z-106	4
5a	BOWDEN CABLE OUTER SLEEVE	R_637-119-339	2
5b	BOWDEN CABLE INNER WIRE	R611127400	4
6	CONTROL CABLE	SF12579	4
7	U-PLATE	PEX3	4
8	SLEEVE	BU2-8-6-0130-C	2
9	BOWDEN CABLE FIXTURE	E900107000	6
10	CLAMP	05128980106	4
11	CABLE EYE STIFFENER	DS-TH1-32	4
12	CABLE CLAMP	217283	12
13	RIVET	DIN7337-A4.0X8.5-A2	10
14	SELF LOCKING NUT	DIN985-M5-A2	10
15	WASHER	DIN125-AM5-ZP	8
16	BOLT	ISO4014-M5X30-8.8-ZP	8
17	BOLT	LN9037-06018	10
18	SELF LOCKING NUT	DIN985-M6-A2	16
19	WASHER	DIN125-6.2-A2	4
20	BOLT	LN9037-06025	2
21	BOLT	LN9037-06040	4
22	HEXAGON NUT	DIN439-BM6-ZP	4
23	STIFFENER	DV2-2722-00-01	2
24	DOWEL PIN	DIN1481-2X24	2
25	BOLT	LN9037-M6X42	
26	HANDLE	2423-0004	

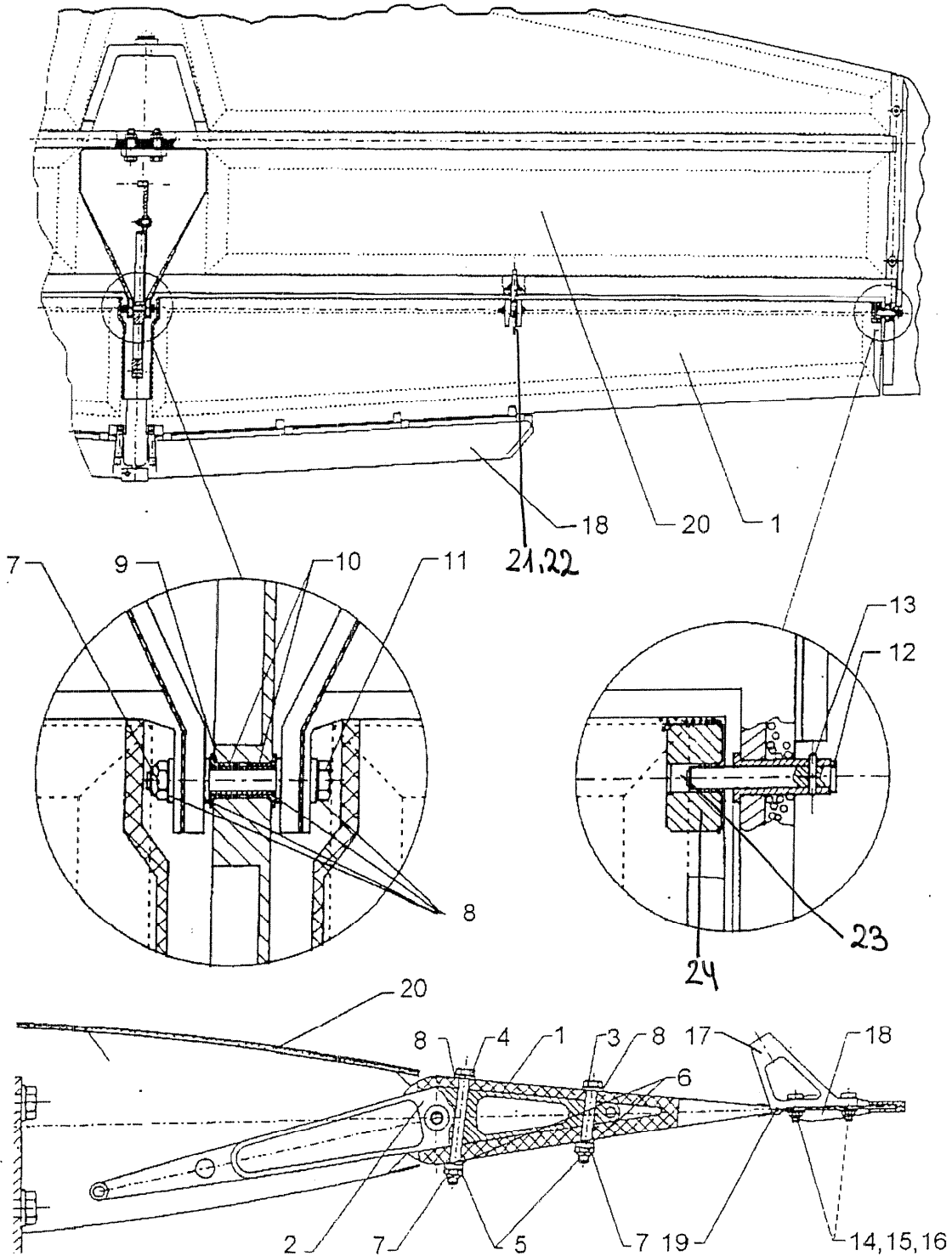


ASSEMBLY NO.: 2700-04-04

ASSEMBLY NAME: RUDDER PEDAL ADJUSTMENT

VALID FOR SERIAL N°S:
20122 AND SUBSEQUENT

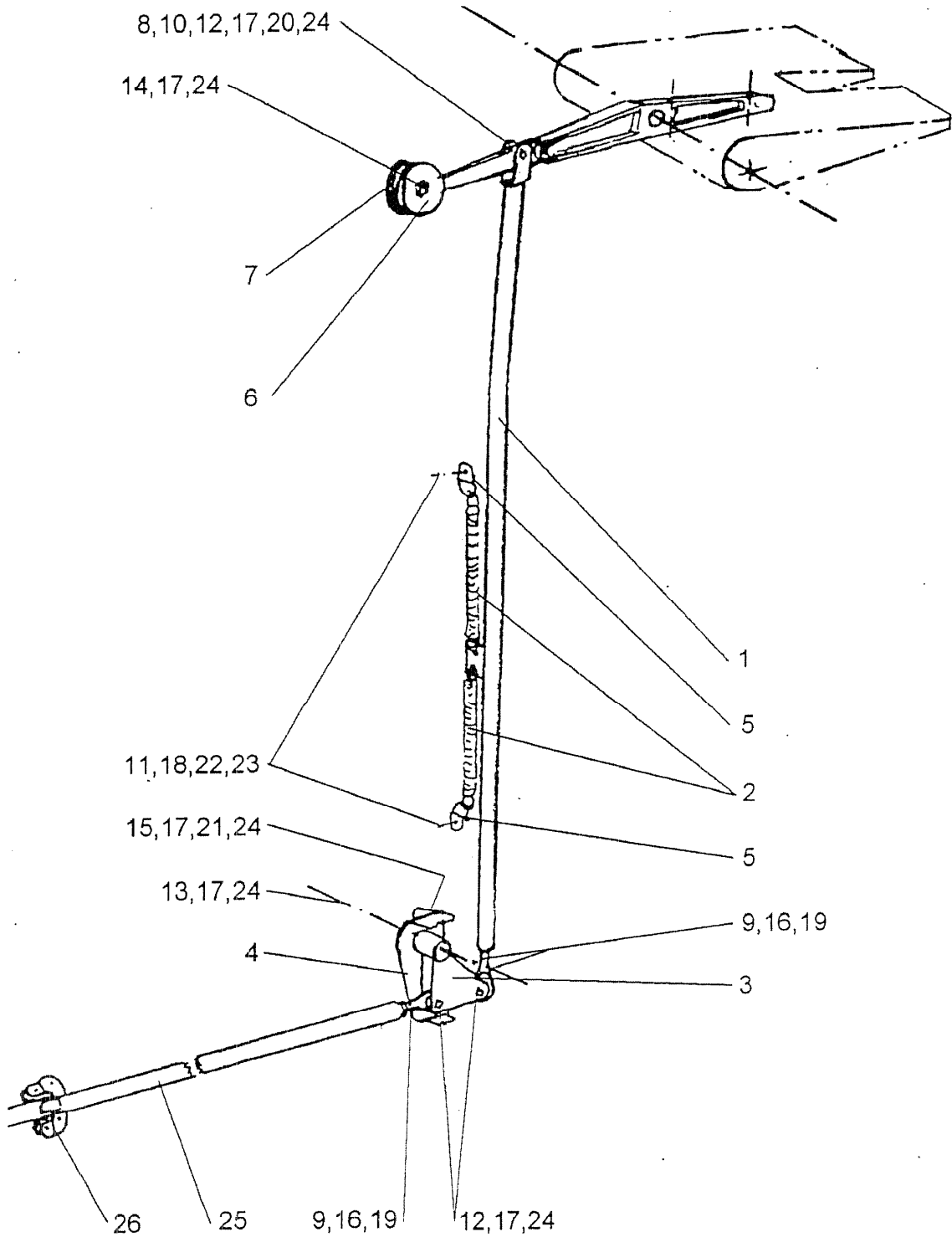
POS. NO.:	NAME	PART NO.:	QUANTITY PER ASSEMBLY:
1	RUDDER PEDAL ADJUSTMENT DV	DV2-2722-00-00	2
2	BRAKE CYLINDER	MC-4D-MOD	4
3	BRAKE FLUID RESERVOIR	A600	2
4	SPRING	Z-106	4
5a	BOWDEN CABLE OUTER SLEEVE	R_637-119-339	2
5b	BOWDEN CABLE INNER WIRE	R611127400	4
6	CONTROL CABLE	SF12579	4
7	U-PLATE	PEX3	4
8	SLEEVE	BU2-8-6-0130-C	2
9	BOWDEN CABLE FIXTURE	E900107000	6
10	CLAMP	05128980106	4
11	CABLE EYE STIFFENER	AN100-5	4
12	CABLE CLAMP	217283	12
13	RIVET	DIN7337-A4.0X8.5-A2	10
14	SELF LOCKING NUT	DIN985-M5-A2	10
15	WASHER	DIN125-AM5-ZP	8
16	BOLT	DIN933-M5X25-ZP	8
17	BOLT	LN9037-06018	10
18	SELF LOCKING NUT	DIN985-M6-A2	16
19	WASHER	DIN125-6.2-A2	4
20	BOLT	LN9037-06025	2
21	BOLT	LN9037-06040	4
22	HEXAGON NUT	DIN439-BM6-ZP	
23	45° BOWDEN CABLE FIXTURE	S950116100	
24	BUSHING	PAF18120P10	



ASSEMBLY NO.: 2700-05-01
 ASSEMBLY NAME: ELEVATOR CONNECTION TO
 STABILIZER

VALID FOR SERIAL N`S:
 20005 AND SUBSEQUENT

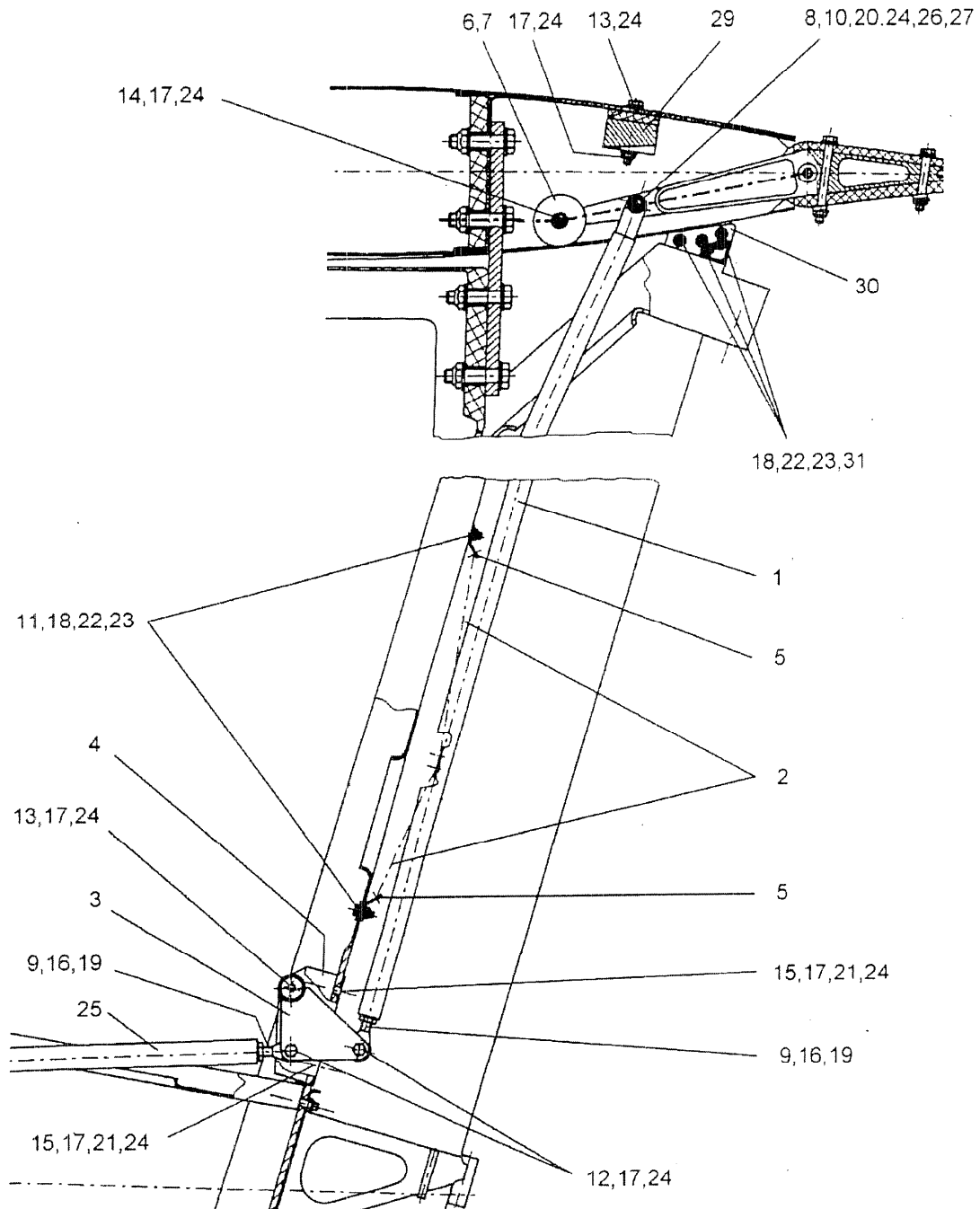
POS. NO.:	NAME	PART NO.:	QUANTITY PER ASSEMBLY:
1	ELEVATOR	820-5500-01-01	1
2	ELEVATOR HORN	DV2-2730-00-03	1
3	BOLT	LN9037-M6X42	1
4	BOLT	LN9037-M6X60	1
5	CONICAL SOCKET	DIN6319-C6.4-A2	2
6	SPHERICAL WASHER	DIN6319-D7	2
7	SELF LOCKING NUT	DIN985-M6-A2	3
8	WASHER	DIN125-6.2-A2	6
9	SPACER TUBE	BU1-08-06-0179-C1	1
10	COLLAR BUSH	PAF08095P11	2
11	BOLT	LN9037-M6X48	1
12	BOLT	DV2-5761-00-01	2
13	COTTER PIN	DIN94-2X25-ZP	2
14	BOLT	ISO4762-M5X16-A2	4
15	SELF LOCKING NUT	DIN985-M5-A2	4
16	WASHER	DIN125-AM5-ZP	4
17	TRIM TAB HORN	DV2-2738-00-07_P47	2
18a	TRIM TAB LH	DV2-2738-01-02-LH	2
18b	TRIM TAB RH	DV2-2738-01-02-RH	2
19	HINGE WIRE	R1.4301-2MM_H9	1
20	ELEVATOR FIN	820-5500-01-00	
21	ROD END WITHOUT THREAD	820-5520-45-61	
22	BUSHING FOR ROD END	DV2-5510-03-01	
23	COLLAR BUSHING	PAF06070P10	
24	END BEARING	820-5500-01-02	



ASSEMBLY NO.: 2700-05-02
 ASSEMBLY NAME: ELEVATOR CONTROL TAIL

VALID FOR SERIAL N`S:
 20005 TO 20092
 EXCEPT WHEN REGIS-
 TRATED IN CANADA

POS. NO.:	NAME	PART NO.:	QUANTITY PER ASSEMBLY:
1	PUSH ROD	DV2-2730-00-04-C	1
2	SPRING	N000015	2
3	BELLCRANK	DV2-2730-00-06	1
4	PEDESTAL	DV2-2730-00-07	1
5	PLATE FOR SPRING	DV2-2730-00-08	2
6	BALANCING MASS 2	DV2-5160-40-03	0 TO 2
7	BALANCING MASS 1	DV2-5160-40-02	0 TO 2
8	SLEEVE	BU1-08-06-0089-C1	1
9	ROD END BEARING	DAI-9027-00-01	2
10	COLLAR BUSH	PAF08055P11	1
11	BOLT	DIN933-M5X12-YZP	2
12	BOLT	LN9037-06022	3
13	BOLT	LN9037-M6X44	1
14	BOLT	LN9037-06028	1
15	BOLT	LN9037-06020	4
16	HEXAGON NUT	DIN934-M8-A2	2
17	SELF LOCKING NUT	DIN985-M6-A2	9
18	SELF LOCKING NUT	DIN985-M5-A2	2
19	LOCK WASHER	DIN6797-J8.2-A2	2
20	POLYAMIDE WASHER	DIN125-10.5X21X2-PA	1
21	WASHER	DIN9021-M6-A2	4
22	WASHER	DIN9021-A5.3-A2	2
23	WASHER	DIN125-AM5-ZP	2
24	WASHER	DIN125-6.2-A2	10
25	PUSH ROD	PR1-20X1-8-3910-D	1
26	PUSH ROD GUIDE	RG1	2



ASSEMBLY NO.: 2700-05-02

VALID FOR SERIAL N`S:

ASSEMBLY NAME: ELEVATOR CONTROL TAIL

20005 TO 20092

WHEN REGISTRATED IN CANADA

POS. NO.:	NAME	PART NO.:	QUANTITY PER ASSEMBLY:
1	PUSH ROD	DV2-2730-00-04-C	1
2	SPRING	N000015	2
3	BELLCRANK	DV2-2730-00-06	1
4	PEDESTAL	DV2-2730-00-07	1
5	PLATE FOR SPRING	DV2-2730-00-08	2
6	BALANCING MASS 2	DV2-5160-40-03	0 TO 2
7	BALANCING MASS 1	DV2-5160-40-02	0 TO 2
8	SLEEVE	BU1-08-06-0089-C1	1
9	ROD END BEARING	DAI-9027-00-01	2
10	COLLAR BUSH	PAF08055P11	1
11	BOLT	DIN933-M5X12-YZP	2
12	BOLT	LN9037-06022	2
13	BOLT	LN9037-M6X44	3
14	BOLT	LN9037-06028	1
15	BOLT	LN9037-06020	4
16	HEXAGON NUT	DIN934-M8-A2	2
17	SELF LOCKING NUT	DIN985-M6-A2	10
18	SELF LOCKING NUT	DIN985-M5-A2	8
19	LOCK WASHER	DIN6797-J8.2-A2	2
20	POLYAMIDE WASHER	DIN125-10.5X21X2-PA	1
21	WASHER	DIN9021-M6-A2	4
22	WASHER	DIN9021-A5.3-A2	8
23	WASHER	DIN125-AM5-ZP	8
24	WASHER	DIN125-6.2-A2	14
25	PUSH ROD	PR1-20X1-8-3910-D	1
26	BOLT	LN9037-06025	1
27	SELF LOCKING CASTEL NUT	DIN65270-M6X10	1
28	COTTER PIN	DIN94-1.6X20-ZP	1
29	STOP	DV2-2730-00-01	1
30	STOP	DV2-2730-00-02	1
31	BOLT	LN9037-M5X32	6

ASSEMBLY NO.: 2700-05-02
 ASSEMBLY NAME: ELEVATOR CONTROL TAIL

VALID FOR SERIAL N`S:
 20093 TO 20129
 EXCEPT WHEN REGIS-
 TRATED IN CANADA

POS. NO.:	NAME	PART NO.:	QUANTITY PER ASSEMBLY:
1	PUSH ROD	DV2-2730-00-04-C	1
2	SPRING	N000015	2
3	BELLCRANK	DV2-2730-00-06	1
4	PEDESTAL	DV2-2730-00-07	1
5	PLATE FOR SPRING	DV2-2730-00-08	2
6	BALANCING MASS 2	DV2-5160-40-03	0 TO 2
7	BALANCING MASS 1	DV2-5160-40-02	0 TO 2
8	SLEEVE	DV2-2750-00-04	1
9	ROD END BEARING	DAI-9027-00-01	2
10	COLLAR BUSH	PAF08055P11	1
11	BOLT	DIN933-M5X12-YZP	2
12	BOLT	LN9037-06022	3
13	BOLT	LN9037-M6X44	1
14	BOLT	LN9037-06028	1
15	BOLT	LN9037-06020	4
16	HEXAGON NUT	DIN934-M8-A2	2
17	SELF LOCKING NUT	DIN985-M6-A2	9
18	SELF LOCKING NUT	DIN985-M5-A2	2
19	LOCK WASHER	DIN6797-J8.2-A2	2
20	POLYAMIDE WASHER	DIN125-10.5X21X2-PA	1
21	WASHER	DIN9021-M6-A2	4
22	WASHER	DIN9021-A5.3-A2	2
23	WASHER	DIN125-AM5-ZP	2
24	WASHER	DIN125-6.2-A2	10
25	PUSH ROD	PR1-20X1-8-3910-D	1
26	PUSH ROD GUIDE	RG1	2

ASSEMBLY NO.: 2700-05-02

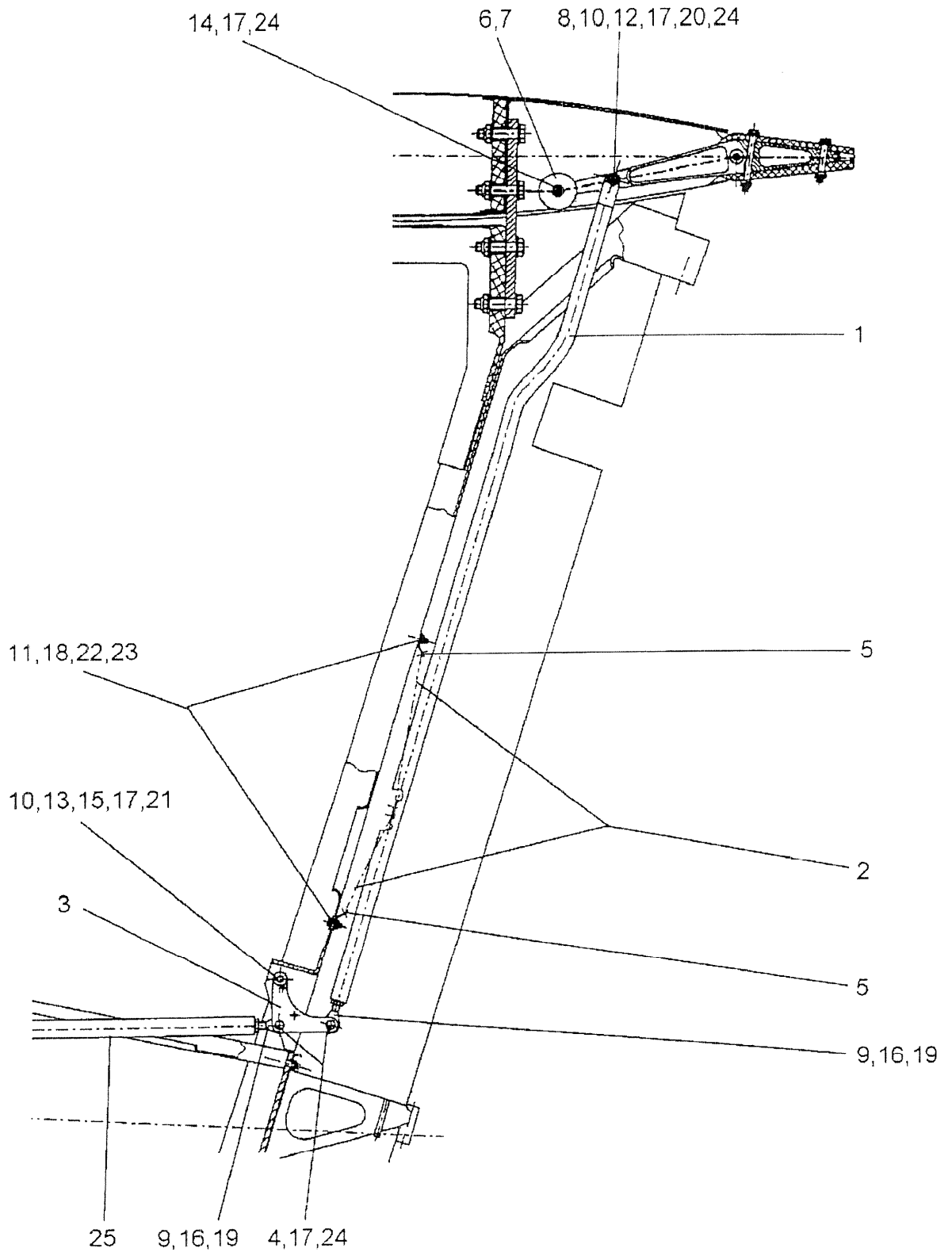
VALID FOR SERIAL N`S:

ASSEMBLY NAME: ELEVATOR CONTROL TAIL

20093 TO 20129

WHEN REGISTRATED IN CANADA

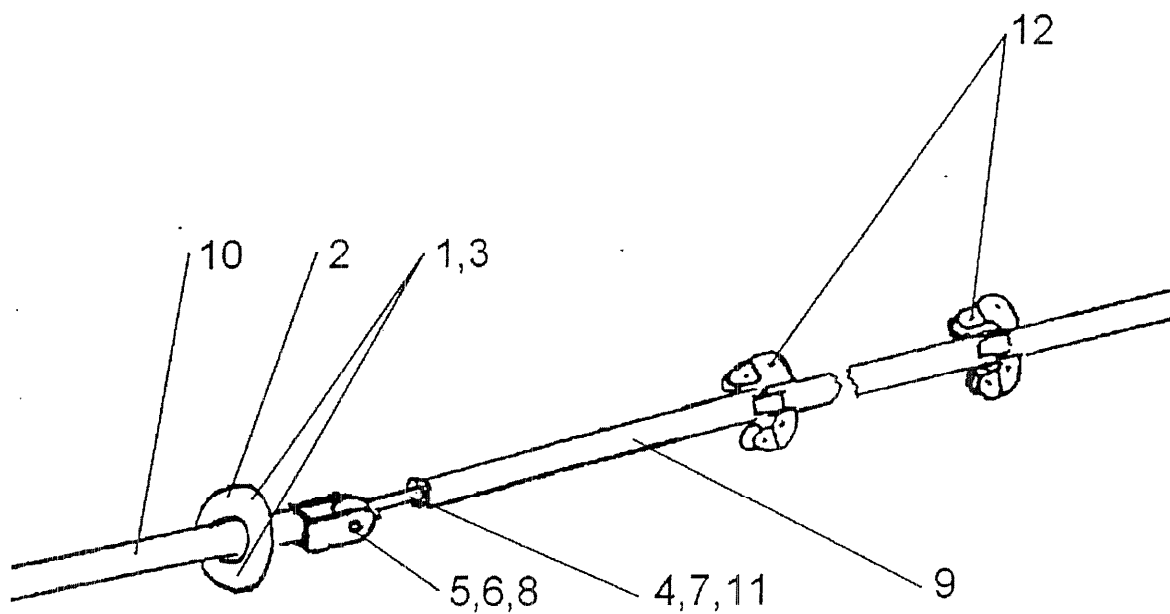
POS. NO.:	NAME	PART NO.:	QUANTITY PER ASSEMBLY:
1	PUSH ROD	DV2-2730-00-04-C	1
2	SPRING	N000015	2
3	BELLCRANK	DV2-2730-00-06	1
4	PEDESTAL	DV2-2730-00-07	1
5	PLATE FOR SPRING	DV2-2730-00-08	2
6	BALANCING MASS 2	DV2-5160-40-03	0 TO 2
7	BALANCING MASS 1	DV2-5160-40-02	0 TO 2
8	SLEEVE	DV2-2750-00-04	1
9	ROD END BEARING	DAI-9027-00-01	2
10	COLLAR BUSH	PAF08055P11	1
11	BOLT	DIN933-M5X12-YZP	2
12	BOLT	LN9037-06022	2
13	BOLT	LN9037-M6X44	3
14	BOLT	LN9037-06028	1
15	BOLT	LN9037-06020	4
16	HEXAGON NUT	DIN934-M8-A2	2
17	SELF LOCKING NUT	DIN985-M6-A2	10
18	SELF LOCKING NUT	DIN985-M5-A2	8
19	LOCK WASHER	DIN6797-J8.2-A2	2
20	POLYAMIDE WASHER	DIN125-10.5X21X2-PA	1
21	WASHER	DIN9021-M6-A2	4
22	WASHER	DIN9021-A5.3-A2	8
23	WASHER	DIN125-AM5-ZP	8
24	WASHER	DIN125-6.2-A2	14
25	PUSH ROD	PR1-20X1-8-3910-D	1
26	BOLT	LN9037-06025	1
27	SELF LOCKING CASTEL NUT	DIN65270-M6X10	1
28	COTTER PIN	DIN94-1.6X20-ZP	1
29	STOP	DV2-2730-00-01	1
30	STOP	DV2-2730-00-02	1
31	BOLT	LN9037-M5X32	6



ASSEMBLY NO.: 2700-05-02
 ASSEMBLY NAME: ELEVATOR CONTROL TAIL

VALID FOR SERIAL N`S:
 20130 AND SUBSEQUENT
 EXCEPT WHEN REGIS-
 TRATED IN CANADA

POS. NO.:	NAME	PART NO.:	QUANTITY PER ASSEMBLY:
1	PUSH ROD	DV2-2730-00-04-C	1
2	SPRING	N000015	2
3	BELLCRANK	DV2-2730-00-06	1
4	BOLT	LN9037-06025	2
5	PLATE FOR SPRING	DV2-2730-00-08	2
6	BALANCING MASS 2	DV2-5160-40-03	0 TO 2
7	BALANCING MASS 1	DV2-5160-40-02	0 TO 2
8	SLEEVE	BU1-08-06-0089-C1	1
9	ROD END BEARING	DAI-9027-00-01	3
10	COLLAR BUSH	PAF08055P11	3
11	BOLT	DIN933-M5X12-YZP	2
12	BOLT	LN9037-06022	1
13	BOLT	LN9037-06040	1
14	BOLT	LN9037-06028	1
15	SPACER TUBE	BU1-08-06-0179-C1	1
16	HEXAGON NUT	DIN934-M8-A2	3
17	SELF LOCKING NUT	DIN985-M6-A2	5
18	SELF LOCKING NUT	DIN985-M5-A2	2
19	LOCK WASHER	DIN6797-J8.2-A2	3
20	POLYAMIDE WASHER	DIN125-10.5X21X2-PA	1
21	WASHER	DIN9021-M6-A2	4
22	WASHER	DIN9021-A5.3-A2	2
23	WASHER	DIN125-AM5-ZP	2
24	WASHER	DIN125-6.2-A2	5
25	PUSH ROD	PR1-20X1-8-3910-D	1



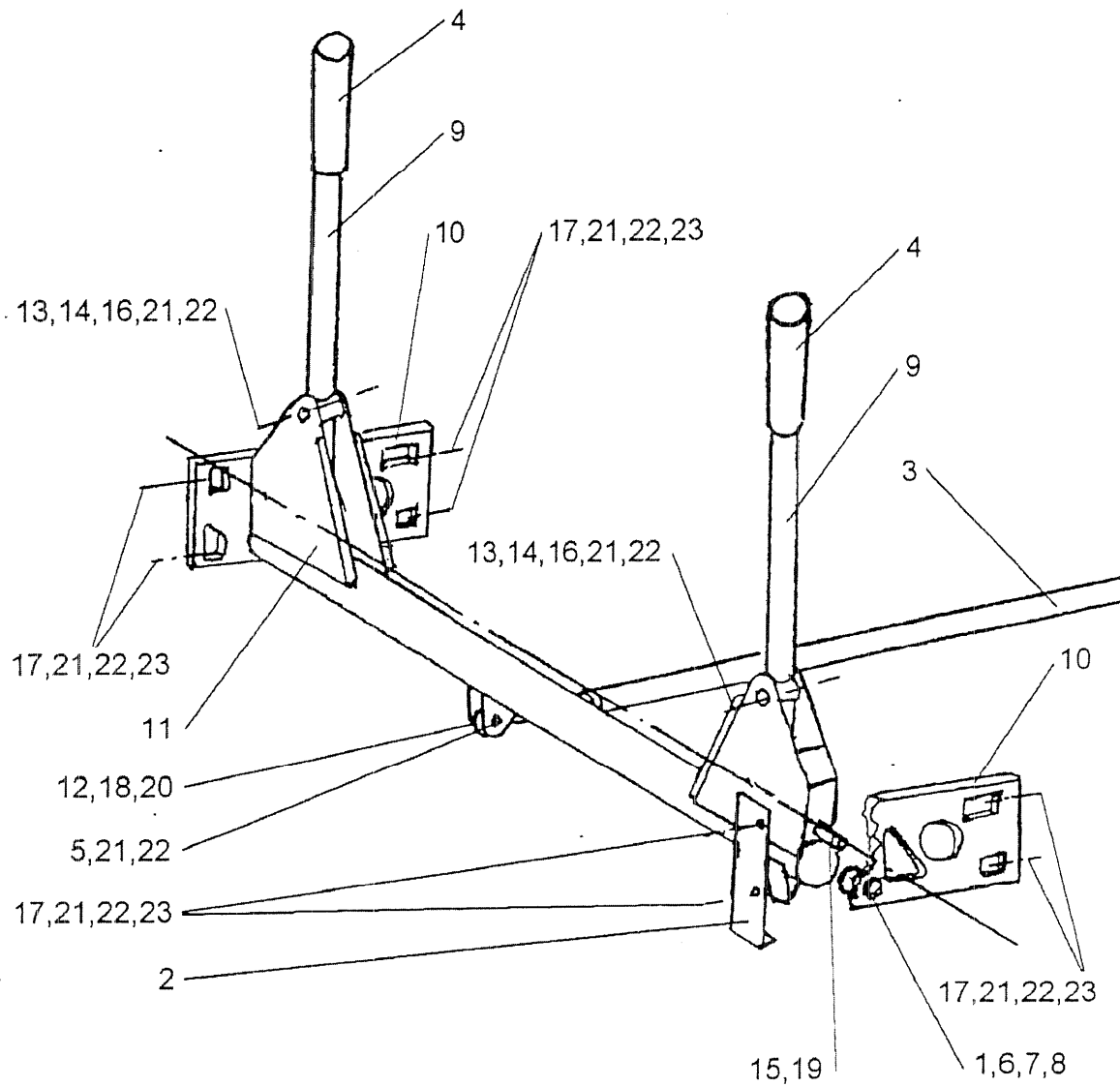
ASSEMBLY NO.: 2700-05-03

ASSEMBLY NAME: ELEVATOR CONTROL MIDDLE

VALID FOR SERIAL N`S:

20005 AND SUBSEQUENT

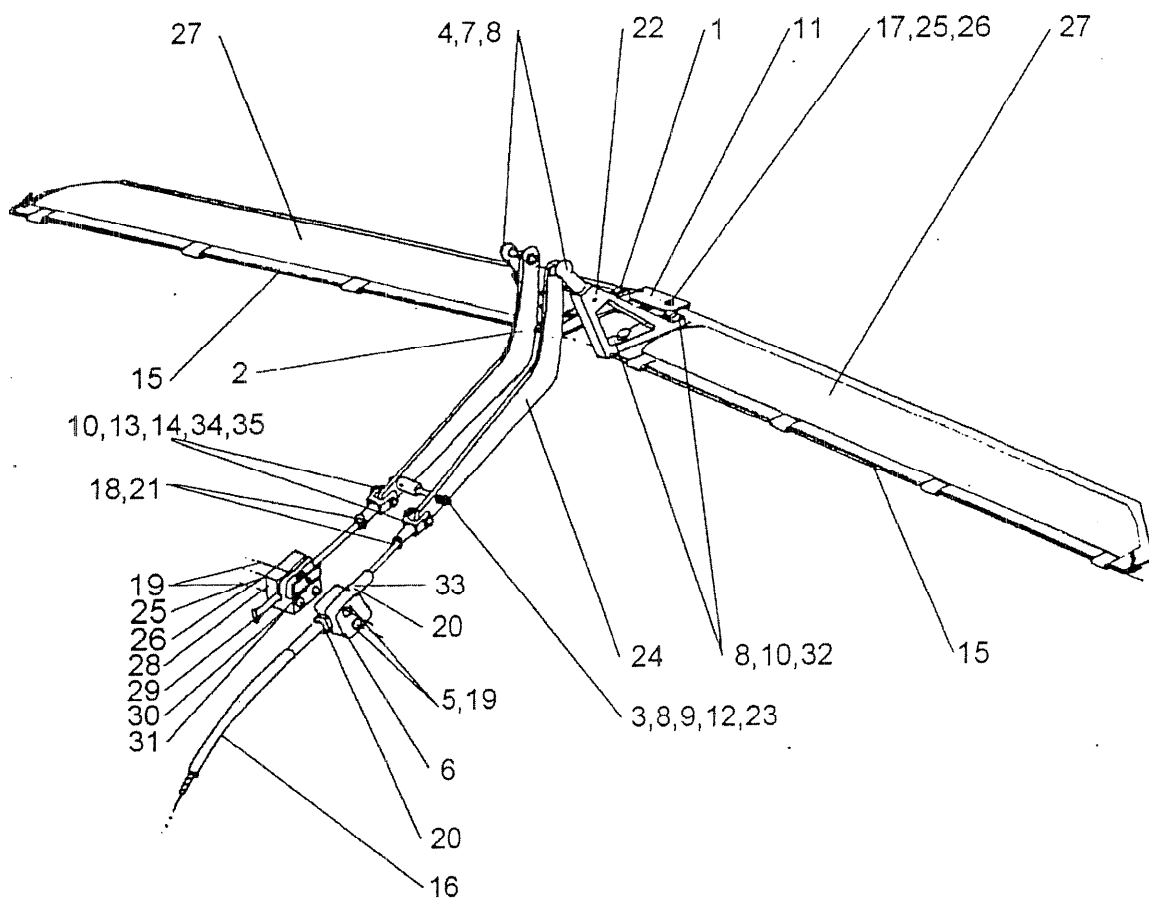
POS. NO.:	NAME	PART NO.:	QUANTITY PER ASSEMBLY:
1	WASHER	DIN125-AM12-PA	3
2	PUSH ROD GUIDE	820-2730-02-13	1
3	RIVET	DIN7337-A4.0X10.3	3
4	LOCK WASHER	DIN6797-J8.2-A2	1
5	WASHER	DIN94-2X16-ZP	1
6	SELF LOCKING NUT	DIN985-M6-A2	1
7	ROD END BEARING	DAI-9027-00-01	1
8	BOLT	LN9037-06020	1
9	PUSH ROD	PR1-20X1-8-3910-D	1
10	PUSH ROD	PR2-20X1,5-8-6-0695G	1
11	HEXAGON NUT	DIN934-M8-A2	1
12	PUSH ROD GUIDE	RG1	2



ASSEMBLY NO.: 2700-05-04
 ASSEMBLY NAME: ELEVATOR CONTROL

VALID FOR SERIAL N`S:
 20005 AND SUBSEQUENT

POS. NO.:	NAME	PART NO.:	QUANTITY PER ASSEMBLY:
1	STOP	DV2-2704-00-05	1
2	STOP PLATE	DV2-2704-00-07	1
3	PUSH ROD	PR2-20X1,5-8-6-0695G	1
4	CONTROL STICK GRIP	762	2
5	BOLT	LN9037-06020	1
6	BOLT	DIN931-M8X45-8.8-ZP	1
7	SELF LOCKING NUT	LN9348-M8	1
8	WASHER	BN567-8	2
9	CONTROL STICK	DV2-2704-00-04	2
10	PEDESTAL	DV2-2704-00-06	2
11	CONTROL STICK BRACKET	DV2-2704-01-00	1
12	ROD END BEARING	DAI-9027-00-01	1
13	SPACER SLEEVE	DV2-2704-00-12	2
14	COLLAR BUSH	PAF40260P11	4
15	COLLAR BUSH	PAF10090P10	2
16	BOLT	LN9037-M6X48	2
17	BOLT	LN9037-06025	8
18	HEXAGON NUT	DIN934-M8-A2	1
19	WASHER	DIN125-BM10-ZP	2
20	LOCK WASHER	DIN6797-J8.2-A2	1
21	SELF LOCKING NUT	DIN985-M6-A2	11
22	WASHER	DIN125-6.2-A2	11
23	WASHER	DIN9021-M6-A2	8



ASSEMBLY NO.: 2700-06-01
 ASSEMBLY NAME: TRIM TAB ASSEMBLY

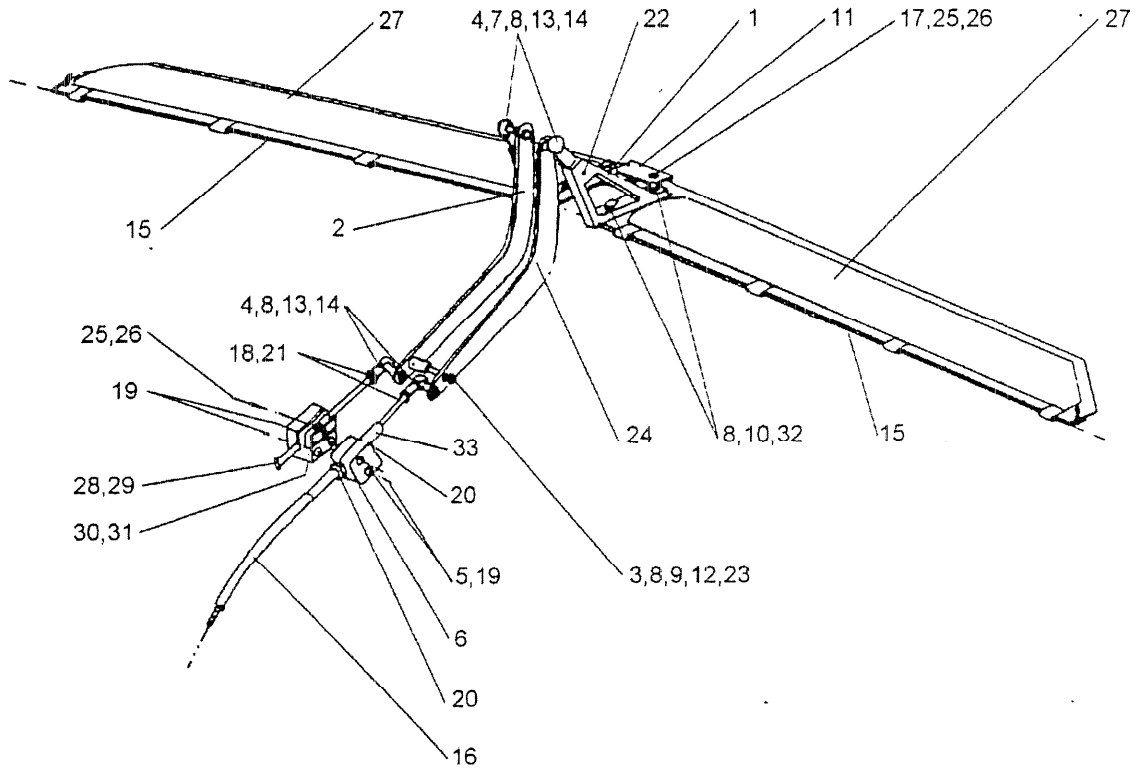
VALID FOR SERIAL N`S:
 20005 TO 20021

POS. NO.:	NAME	PART NO.:	QUANTITY PER ASSEMBLY:
1	TRIM TAB HORN	DV2-2738-00-07	2
2	RH TAB LINK	DV2-2738-00-02	1
3	BOLT	DIN933-M5X12-YZP	1
4	ANGLE JOINT	E75707081	2
5	BOLT	DIN963-M6X35-ZP	2
6	BOWDEN CABLE FIXTURE	126126	1
7	BOLT	ISO4017-M5X16-YZP	2
8	SELF LOCKING NUT	DIN985-M5-A2	7
9	PIN	DV2-2738-00-03	1
10	WASHER	DIN125-AM5-ZP	6
11	SYNCHRONIZING PLATE	DV2-2738-00-11	1
12	BUSH	PAP0505P11	1
13	CASTLE NUT	DIN935-M5-8.8-ZP	2
14	COTTER PIN	DIN94-1.0X20-ZP	2
15	HINGE WIRE	R1.4301-2MM_H9	2
16	BOWDEN CABLE	DV2-2738-00-09	1
17	BOLT	DIN966-AM4X16-ZP	1
18	HEXAGON NUT	DIN934-M5-A2	2
19	SELF LOCKING NUT	DIN985-M6-A2	4
20	HEXAGON NUT	DIN439-BM10X1-A4	2
21	LOCK WASHER	DIN6797-JM5-A2	2
22	DOWEL PIN	DIN1481-1.5X10-A2	2
23	DOWEL PIN	DIN1481-1.5X12-A2	1
24	LH TAB LINK	DV2-2738-00-15	1
25	WASHER	DIN125-AM4-ZP	4
26	SELF LOCKING NUT	DIN985-M4-A2	4
27a	TRIM TRAB LH	DV2-2738-01-02	2
27b	TRIM TRAB RH	DV2-2738-01-02	1
28	DAMPER MOUNT	DV2-2738-00-04	1
29	DAMPER ROD	DV2-2738-00-05	1
30	CLAMPING SCREW	DV2-2738-00-08	1
31	SPRING	N000021	4
32	BOLT	ISO4762-M5X16-A2	1
33	NUT	DV2.129265	2
34	FORK HEAD	DIN71752-5X10-A2	2
35	BOLT	DIN933-M5X20-8.8-YZP	

DATE OF ISSUE:
 JUL. 1, 2010

REV. NO.:
 4

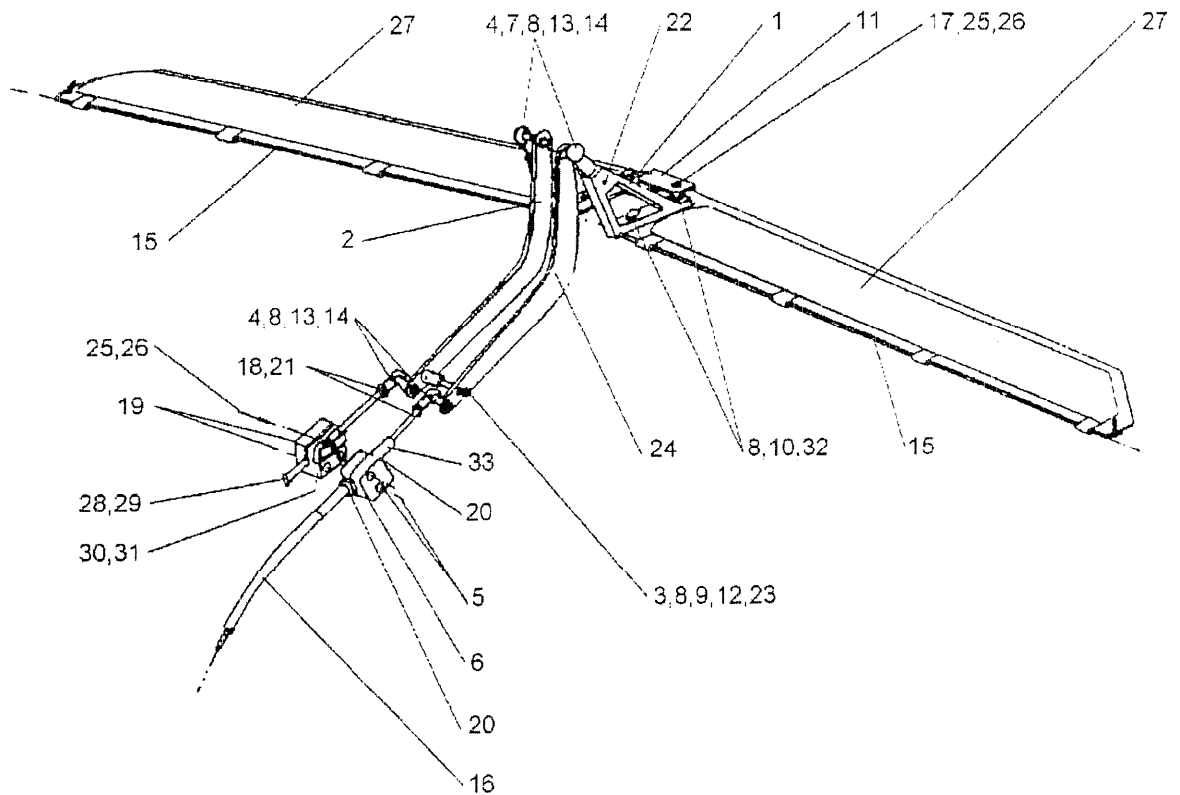
PAGE NO.:
 D/2700-06-01/1



ASSEMBLY NO.: 2700-06-01
 ASSEMBLY NAME: TRIM TAB ASSEMBLY

VALID FOR SERIAL N`S:
 20022 TO 20050

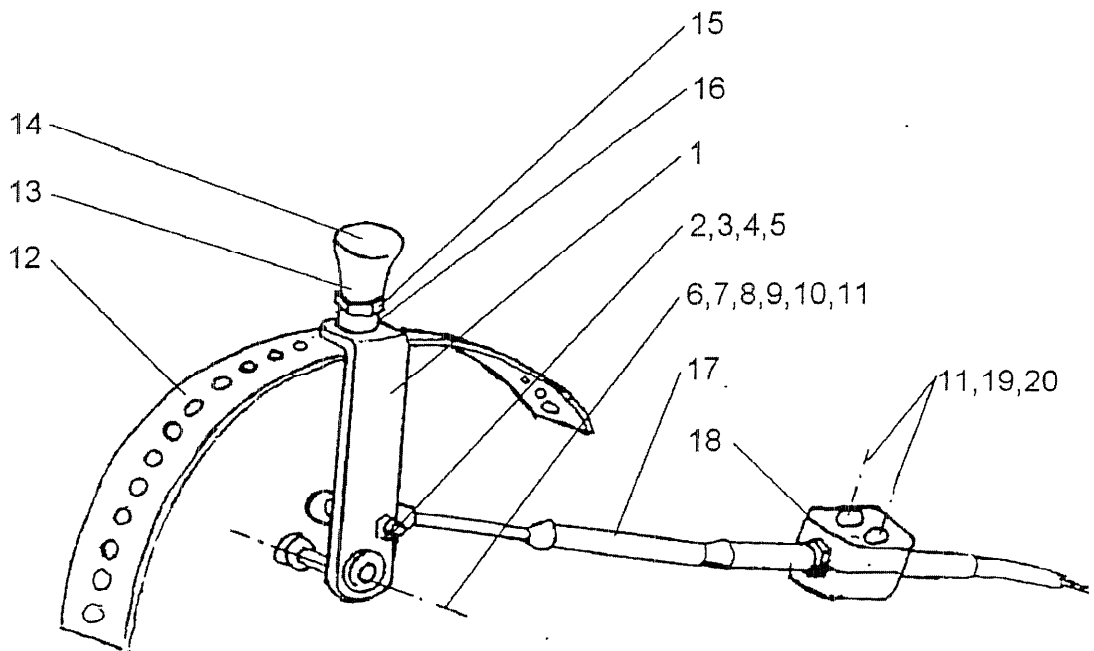
POS. NO.:	NAME	PART NO.:	QUANTITY PER ASSEMBLY:
1	TRIM TAB HORN	DV2-2738-00-07	2
2	RH TAB LINK	DV2-2738-00-02	1
3	BOLT	DIN933-M5X12-YZP	1
4	SAFETY PIN	A207.105.014.000	4
5	BOLT	DIN963-M6X35-ZP	2
6	BOWDEN CABLE FIXTURE	126126	1
7	BOLT	ISO4017-M5X16-YZP	2
8	SELF LOCKING NUT	DIN985-M5-A2	9
9	PIN	DV2-2738-00-03	1
10	WASHER	DIN125-AM5-ZP	4
11	SYNCHRONIZING PLATE	DV2-2738-00-11	1
12	BUSH	PAP0505P11	1
13	BALL PIVOT	E75707081	4
14	BALL SOCKET	E75707081	4
15	HINGE WIRE	R1.4301-2MM_H9	2
16	BOWDEN CABLE	DV2-2738-00-09	1
17	BOLT	DIN966-AM4X16-ZP	1
18	HEXAGON NUT	DIN934-M5-A2	2
19	SELF LOCKING NUT	DIN985-M6-A2	4
20	HEXAGON NUT	DIN439-BM10X1-A4	2
21	LOCK WASHER	DIN6797-JM5-A2	2
22	DOWEL PIN	DIN1481-1.5X10-A2	2
23	DOWEL PIN	DIN1481-1.5X12-A2	1
24	LH TAB LINK	DV2-2738-00-15	1
25	WASHER	DIN125-AM4-ZP	4
26	SELF LOCKING NUT	DIN985-M4-A2	4
27a	TRIM TRAB LH	DV2-2738-01-02	2
27b	TRIM TRAB RH	DV2-2738-01-02	1
28	DAMPER MOUNT	DV2-2738-00-04	1
29	DAMPER ROD	DV2-2738-00-05	1
30	CLAMPING SCREW	DV2-2738-00-08	1
31	SPRING	N000021	4
32	BOLT	ISO4762-M5X16-A2	1
33	NUT	DV2.129265	



ASSEMBLY NO.: 2700-06-01
 ASSEMBLY NAME: TRIM TAB ASSEMBLY

VALID FOR SERIAL N`S:
 20051 AND SUBSEQUENT

POS. NO.:	NAME	PART NO.:	QUANTITY PER ASSEMBLY:
1	TRIM TAB HORN	DV2-2738-00-07	2
2	RH TAB LINK	DV2-2738-00-02	1
3	BOLT	DIN933-M5X12-YZP	1
4	SAFETY PIN	A207.105.014.000	4
5	BOLT	DIN963-M6X35-ZP	2
6	BOWDEN CABLE FIXTURE	DV2-2738-00-10	1
7	BOLT	ISO4017-M5X16-YZP	2
8	SELF LOCKING NUT	DIN985-M5-A2	9
9	PIN	DV2-2738-00-03	1
10	WASHER	DIN125-AM5-ZP	4
11	SYNCHRONIZING PLATE	DV2-2738-00-11	1
12	BUSH	PAP0505P11	1
13	BALL PIVOT	E75707081	4
14	BALL SOCKET	E75707081	4
15	HINGE WIRE	R1.4301-2MM_H9	2
16	BOWDEN CABLE	DV2-2738-00-09	1
17	BOLT	DIN966-AM4X16-ZP	1
18	HEXAGON NUT	DIN934-M5-A2	2
19	SELF LOCKING NUT	DIN985-M6-A2	2
20	HEXAGON NUT	DIN439-BM10X1-A4	2
21	LOCK WASHER	DIN6797-JM5-A2	2
22	DOWEL PIN	DIN1481-1.5X10-A2	2
23	DOWEL PIN	DIN1481-1.5X12-A2	1
24	LH TAB LINK	DV2-2738-00-15	1
25	WASHER	DIN125-AM4-ZP	4
26	SELF LOCKING NUT	DIN985-M4-A2	4
27a	TRIM TRAB LH	DV2-2738-01-02	2
27b	TRIM TRAB RH	DV2-2738-01-02	1
28	DAMPER MOUNT	DV2-2738-00-04	1
29	DAMPER ROD	DV2-2738-00-05	1
30	CLAMPING SCREW	DV2-2738-00-08	1
31	SPRING	N000021	4
32	BOLT	ISO4762-M5X16-A2	1
33	NUT	DV2.129265	



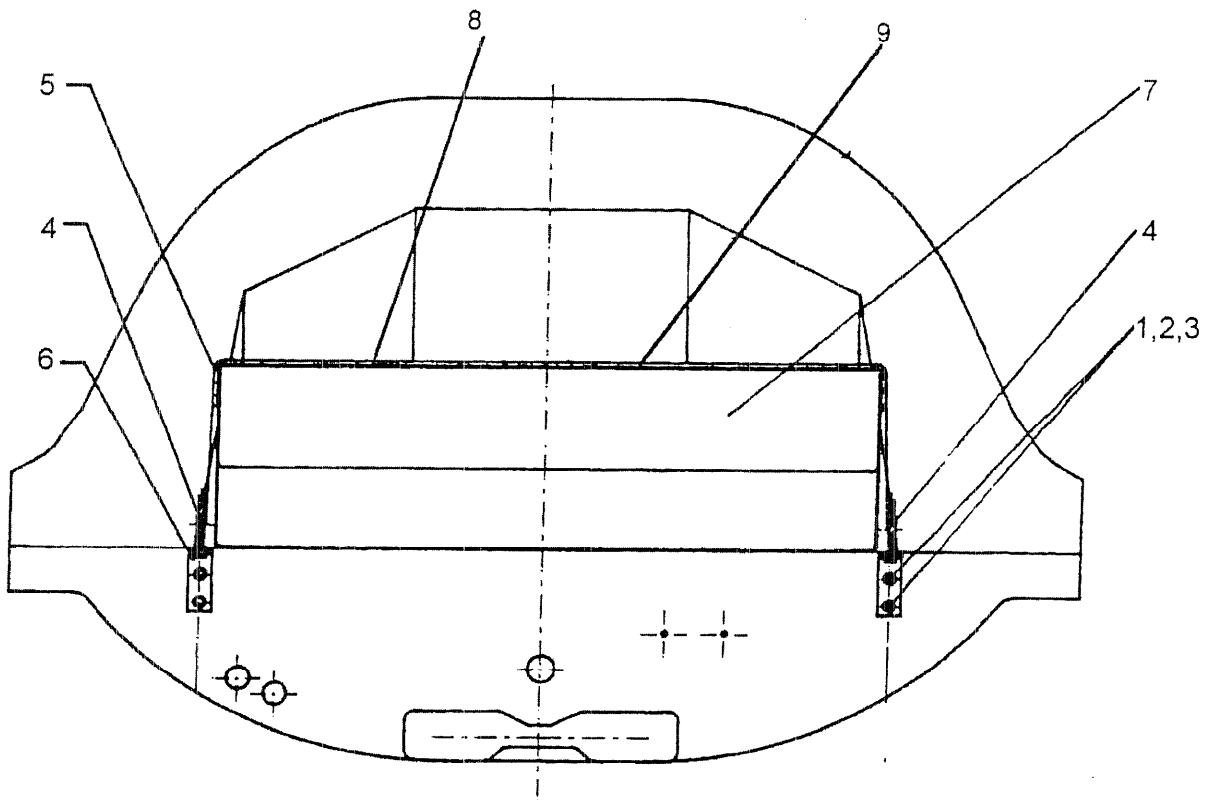
ASSEMBLY NO.: 2700-06-02
 ASSEMBLY NAME: TRIM CONTROL

VALID FOR SERIAL N`S:
 20005 AND SUBSEQUENT

POS. NO.:	NAME	PART NO.:	QUANTITY PER ASSEMBLY:
1	ELEVATOR TRIM LEVER	DV2-2738-00-13	1
2	BALL PIVOT	E75707081	1
3	BALL SOCKET	E75707081	1
4	WASHER	DIN125-AM5-ZP	1
5	HEXAGON NUT	LN9348-M5	1
6	WASHER	DIN125-6.2-A2	5
7	POLYAMIDE WASHER	DIN9021-M6-PA	2
8	BOLT	LN9037-06050	1
9	SPACER SLEEVE	DV2-2738-00-14	1
10	SPRING WASHER	DIN2093-A12X6.2X0.6	2
11	SELF LOCKING NUT	DIN985-M6-A2	3
12	PERFORATED PLATE	DV2-2738-00-12	1
13	BOLT	DV2-2738-00-00-13-15	1
14	TRIM KNOB	10.1108.01	1
15	HEXAGON NUT	DIN439-BM10X1-A4	2
16	SPACER TUBE	DV2-2738-00-06	1
17	BOWDEN CABLE	DV2-2738-00-09	1
18	BOWDEN CABLE FIXTURE	126126	1
19	BOLT	DIN963-M6X35-ZP	2
20	SAFETY PIN	A207.105.014.000	1

CHAPTER 28 - Fuel

FUEL TANK	PAGE
Fuel Tank Mounting.....	2811-00-01/1
FUEL LINES	
Fuel Lines.....	2822-00-01/1
	2822-00-01/2
	2822-00-01/3
Fuel Tank Vent.....	2822-00-02/1
	2822-00-02/2



ASSEMBLY NO.: 2811-00-01
ASSEMBLY NAME: FUEL TANK MOUNTING

VALID FOR SERIAL N'S:
20005 AND SUBSEQUENT

POS. NO.:	NAME	PART NO.:	QUANTITY PER ASSEMBLY:
1	WASHER	DIN94-2X16-ZP	
2	SELF LOCKING NUT	DIN985-M6-A2	4
3	BOLT	LN9037-M6X12	2
4	BOLT	820-2811-02-02	4
5	TANK FASTENING STRAB	820-2811-02-03	2
6	FIXTURE	820-2811-02-01	1
7	FUEL TANK 80L	DV2-2811-00-00	2
8	TANK COVER RIGHT	820-5300-01-26-RH	1
9	TANK COVER LEFT	820-5300-01-26-LH	1

DATE OF ISSUE:

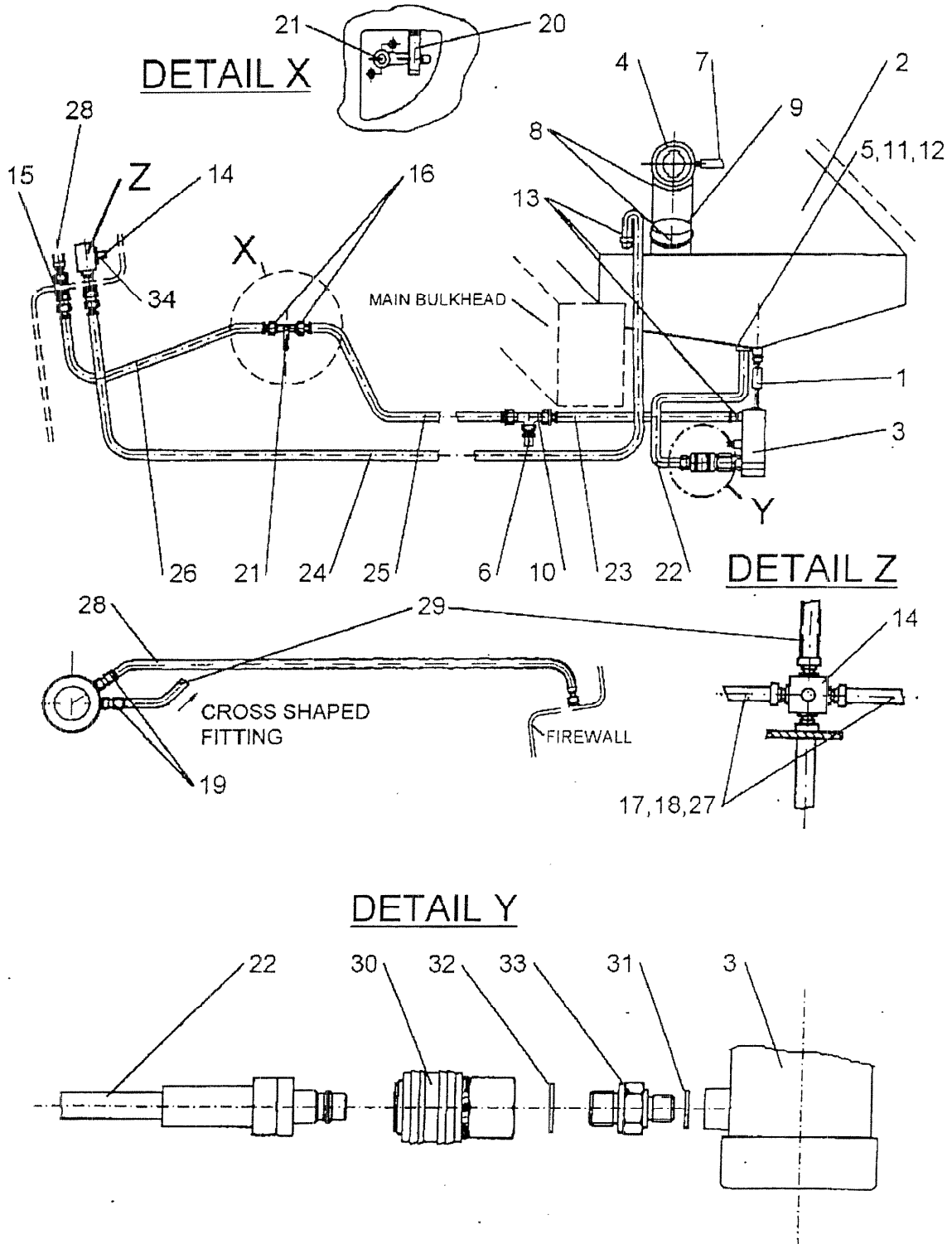
JUL. 1, 2010

REV. NO.:

4

PAGE NO.:

D/2811-00-01/1



ASSEMBLY NO.: 2822-00-01
 ASSEMBLY NAME: FUEL LINES

VALID FOR SERIAL N`S:
 20005 TO 20072

POS. NO.:	NAME	PART NO.:	QUANTITY PER ASSEMBLY:
1	OETIKER TYPE CLAMP	15400032	2
2	FUEL TANK 80L	DV2-2811-00-00	1
3	FUEL PUMP ELEKTRIKAL	478360	1
4	FUEL INLET TUBE	DV2-2822-00-02	1
5	FINGER FILTER	DV2-2800-02-00	1
6	DRAIN	CCA1550	1
7	HOSE	299T01	1
8	HOSE BAND CLIP	SGTS_70-90_9W1C7	2
9	TUBE	DA40.153300_	1
10	FITTING	OTXS_6-1_8	1
11	SEALING	DIN7603-14X18X1.5-CU	1
12	FITTING	FTXS-6-1_8	1
13	FITTING	WE_7_16_UNFX_1_8NPT	2
14	FUEL CROSSING	820-7100-14-01	1
15	FITTING	N000090	1
16	FITTING	PGE_7_16-1_4X1_4NPT	2
17	FITTING	ON REQUEST	2
18	SLEEVE	BU2-12-08-0030-C1	2
19	CLAMP	01267702013	2
20	FUEL VALVE SAFETYING	D20-2803-00-01	1
21	FUEL VALVE	HK36.190500-MOD	1
22	FUEL LINE	DV2-2800-00-05	1
23	FUEL LINE	DV2-2800-00-06	1
24	FUEL LINE	DV2-2800-00-12	1
25	FUEL LINE	DV2-2800-00-07	1
26	FUEL LINE	DV2-2800-00-08	1
27	FUEL LINE	DV2-2800-00-11	2
28	FUEL LINE	ON REQUEST	1
29	FUEL LINE	ON REQUEST	1
30	HOSE COUPLING	N000087	1
31	SEALING	DIN7603-10X14X1-CU	1
32	SEALING	DIN7603-13X76X1.5-CU	1
33	FITTING	N000089	1
34	TRANSMITTER FUELPRESSURE	0344101055	1

DATE OF ISSUE:

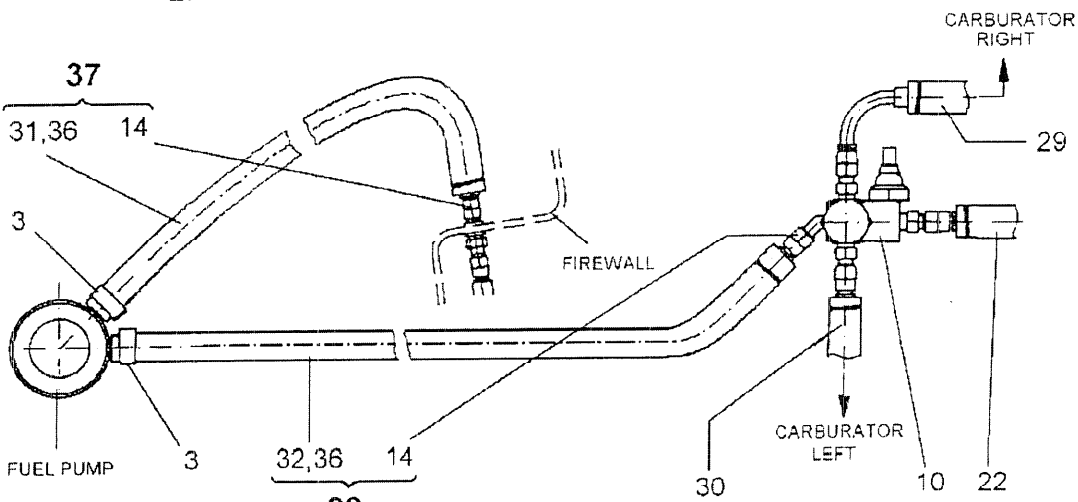
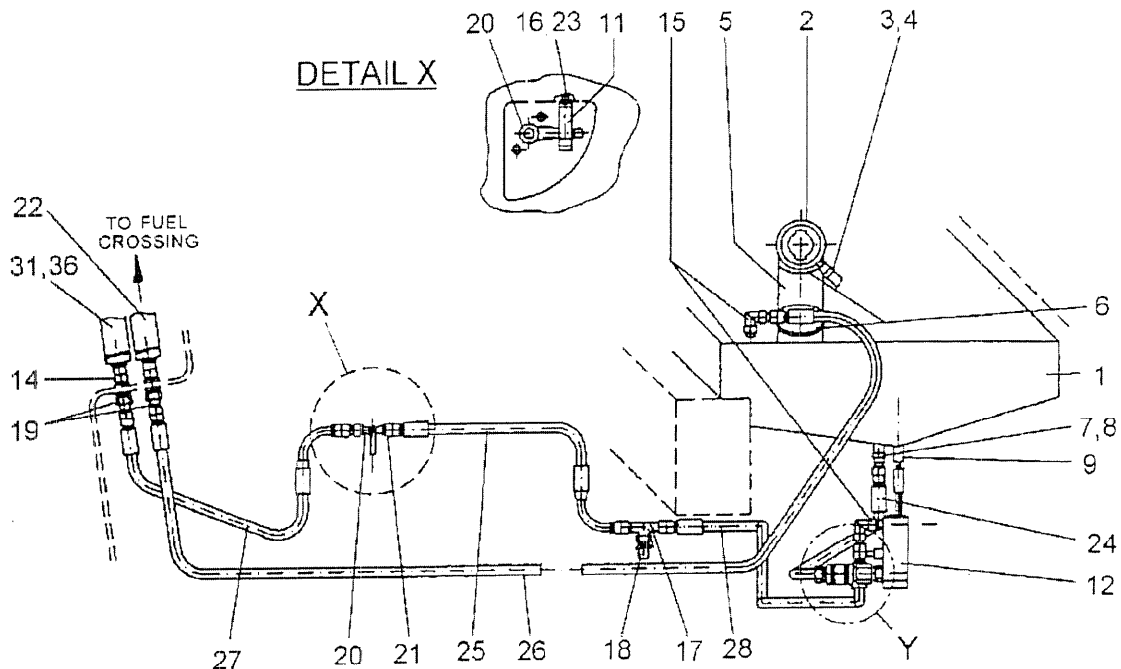
10. DEZ. 2013

REV. NO.:

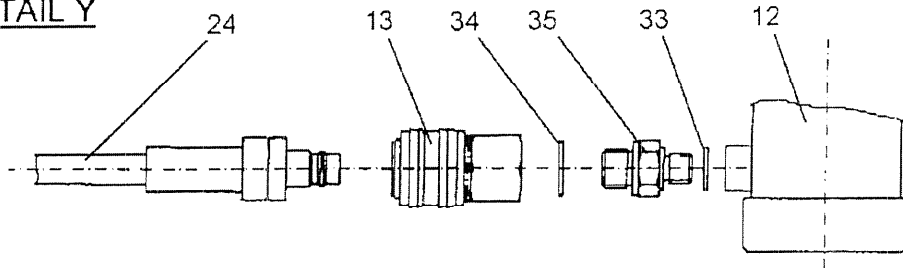
6

PAGE NO.:

D/2822-00-01/1



DETAIL Y



ASSEMBLY NO.: 2822-00-01
 ASSEMBLY NAME: FUEL LINES

VALID FOR SERIAL N`S:
 20073 AND SUBSEQUENT

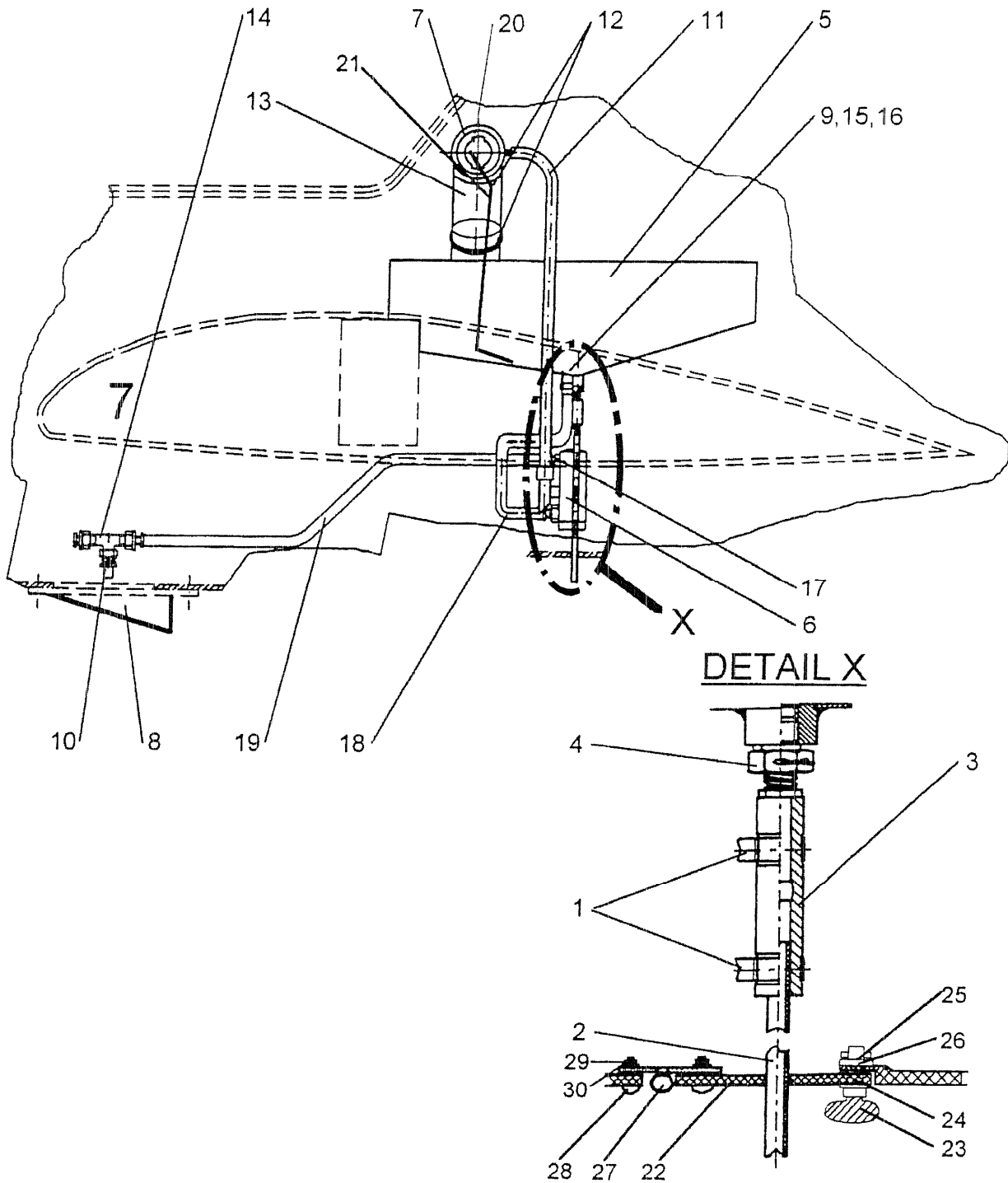
POS. NAME PART NO.: QUANTITY PER
 NO.: ASSEMBLY:

1	FUEL TANK 80L	DV2-2811-00-00	1
2	FUEL INLET TUBE	DV2-2822-00-02	1
3	CLAMP	01167602013	3
4	HOSE	4219-04151	1
5	TUBE	DA40.153300_	1
6	HOSE BAND CLIP	SGTS_70-90_9W1C7	2
7	FINGER FILTER	DV2-2800-02-00	1
8	FITTING	N000089	1
9	DRAIN AND VENT	DV2-2800-00-13	1
10	FUEL CROSSING	DV2-7300R01-00	1
11	FUEL VALVE SAFETYING	DV2-2822-00-05	1
12	FUEL PUMP ELEKTRIKAL	478360	1
13	HOSE COUPLING	N000087	1
14	FITTING	PDKJ_7_16	2
15	FITTING 90°	WE_7_16_UNFX_1_8NPT	2
16	SELF LOCKING NUT	DIN985-M4-A2	1
17	T-FITTING	OTXS_6-1_8	1
18	DRAIN	CCA1550	1
19	FITTING	N000090	2
20	FUEL VALVE	HK36.190500-MOD	1
21	SOCKET	PGE_7_16-1_4X1_4NPT	2
22	FUEL LINE	DV2-2800-00-09	1
23	BOLT	LN9037-M5X12	1
24	FUEL LINE	DV2-2800-00-05	1
25	FUEL LINE	DV2-2800-00-07	1
26	FUEL LINE	DV2-2800-00-12	1
27	FUEL LINE	DV2-2800-00-08	1
28	FUEL LINE	DV2-2800-00-06	1
29	FUEL LINE	DV2-2800-00-10	1
30	FUEL LINE	DV2-2800-00-11	1
31	FUEL LINE	ON REQUEST	1
32	FUEL LINE	ON REQUEST	1
33	SEALING	DIN7603-10X14X1-CU	1

ASSEMBLY NO.: 2822-00-01
ASSEMBLY NAME: FUEL LINES

VALID FOR SERIAL N`S:
20073 AND SUBSEQUENT

POS. NO.:	NAME	PART NO.:	QUANTITY PER ASSEMBLY:
34	SEALING	DIN7603-13X76X1.5-CU	1
35	FITTING	N000089	1
36	SAFTY HOSE	2650-13	1
37	FUEL LINE	ON REQUEST	1
38	FUEL LINE	ON REQUEST	1



ASSEMBLY NO.: 2822-00-02
 ASSEMBLY NAME: FUEL TANK VENT

VALID FOR SERIAL N°S:
 20005 AND SUBSEQUENT

POS. NO.:	NAME	PART NO.:	QUANTITY PER ASSEMBLY:
1	OETIKER TYPE CLAMP	15400032	2
2	FUEL TANK DRAINTUBE	820-2811-01-07	1
3	HOSE	3225-10052_	1
4	DRAIN	CAV-180 H-4	1
5	FUEL TANK 80L	DV2-2811-00-00	1
6	FUEL PUMP ELEKTRIKAL	478360	1
7	FUEL INLET TUBE	DV2-2822-00-02	1
8	FAIRING	DV2-2800-00-02	1
9	FINGER FILTER	DV2-2800-02-00	1
10	DRAIN	CCA1550	1
11	HOSE	299T01	1
12	CLAMP	SGTS_70-90_9W1C7	2
13	TUBE	DA40.153300_	1
14	FITTING	OTXS_6-1_8	1
15	SEALING	DIN7603-14X18X1.5-CU	1
16	FITTING	FTXS-6-1_8	1
17	FITTING	WE_7_16_UNFX_1_8NPT	1
18	FUEL LINE	DV2-2800-00-05	1
19	FUEL LINE	DV2-2800-00-06	1
20	FILLER CAP	6.11.1.103.603	1
21	FUELPIPETTE	DV2-2800-03-00	1
22	DRAIN COVER	DV2-7110R00-03	1
23	LOCK	2600-5WD	1
24	MOUNT	99R10-01A1	1
25	WASHER	V2600-LW-7	1
26	NUT	10-01_A1	1
27	HINGE	D41-7116-62-00	1
28	SCREW	ISO7380-M3X10-A2	4
29	SELFLOCKING NUT	DIN985-M3-A2	4
30	WASHER	DIN134-A3.2-ZP	4

ASSEMBLY NO.: 2822-00-02
 ASSEMBLY NAME: FUEL TANK VENT

VALID FOR SERIAL N`S:
 20073 AND SUBSEQUENT

POS. NO.:	NAME	PART NO.:	QUANTITY PER ASSEMBLY:
1	OETIKER TYPE CLAMP	15400032	2
2	FUEL TANK DRAINTUBE	820-2811-01-07	1
3	HOSE	3225-10052_	1
4	DRAIN	DV2-2800-00-13	1
5	FUEL TANK 80L	DV2-2811-00-00	1
6	FUEL PUMP ELEKTRIKAL	478360	1
7	FUEL INLET TUBE	DV2-2822-00-02	1
8	FAIRING	DV2-2800-00-02	1
9	FINGER FILTER	DV2-2800-02-00	1
10	DRAIN	CCA1550	1
11	HOSE	299T01	1
12	CLAMP	SGTS_70-90_9W1C7	2
13	TUBE	DA40.153300_	1
14	FITTING	OTXS_6-1_8	1
15	SEALING	DIN7603-14X18X1.5-CU	1
16	FITTING	FTXS-6-1_8	1
17	FITTING	WE_7_16_UNFX_1_8NPT	1
18	FUEL LINE	DV2-2800-00-05	1
19	FUEL LINE	DV2-2800-00-06	1
20	FILLER CAP	6.11.1.103.603	1

CHAPTER 32 - Landing Gear

MAIN LANDING GEAR

PAGE

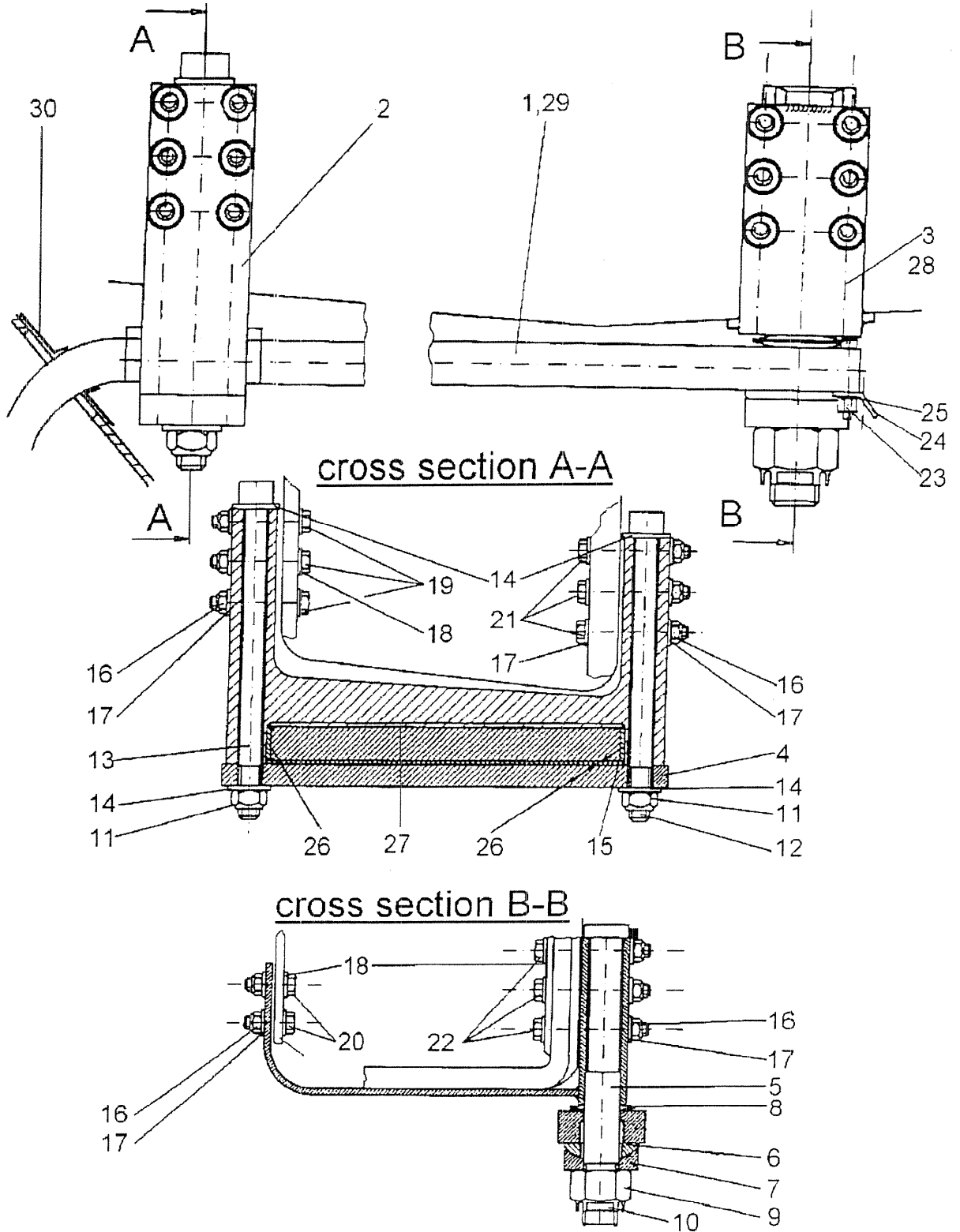
Main Landing Gear Mounting.....	3210-00-01/1
Main Landing Gear - Wheel.....	3210-00-02/1
Main Landing Gear - Wheel Assembly.....	3210-00-03/1

NOSE GEAR

Nose Gear Mounting.....	3220-00-01/1
Nose Gear - Wheel.....	3220-00-01/2
	3220-00-02/1
Rubber Spring Assembly.....	3220-00-02/2
	3220-01-01/1

BRAKES

Brake System.....	3240-01-00/1
Brake Cylinder.....	3240-01-01/1
Parking Valve Assembly.....	3240-01-02/1
Brake Assembly.....	3240-01-03/1



ASSEMBLY NO.: 3210-00-01

VALID FOR SERIAL N`S:

ASSEMBLY NAME: MAIN LANDING GEAR MOUNTING

20005 AND SUBSEQUENT

POS. NO.:	NAME	PART NO.:	QUANTITY PER ASSEMBLY:
1	MAIN LANDING GEAR STRUT L	DV2-3210-00-01-RH	1
2	FITTING	DV2-3210-00-02	1
3	FITTING RH	DV2-3210-00-03-RH	1
4	ALUMINUM BRACKET	DV2-3210-00-04-A	1
5	BOLT	DV2-3210-00-05	1
6	CONVEX WASHER	DV2-3210-00-06	1
7	CONCAVE WASHER	DV2-3210-00-07	1
8	SPRING WASHER	DIN2093-40X16,3	2
9	CASTLE NUT	DIN935-M16-A2	1
10	COTTER PIN	DIN94-4X32-A2	1
11	SELF LOCKING NUT	DIN985-M10-A2	2
12	BOLT	DIN912-M10X150-YZP	1
13	BOLT	DIN912-M10X140-YZP	1
14	WASHER	DIN125-BM10-ZP	4
15	RUBBER	131ZZ01020	1
16	SELF LOCKING NUT	DIN985-M6-A2	22
17	WASHER	DIN125-6.2-A2	22
18	WASHER	DIN9021-M6-A2	22
19	BOLT*	LN9037-06040	6
20	BOLT*	LN9037-06018	4
21	BOLT*	LN9037-M6X46	6
22	BOLT*	LN9037-M6X48	6
23	BOLT	DIN933-M4X25-YZP	1
24	PLUG	181949-2	1
25	SELF LOCKING NUT	LN9348-M4	1
26	POLYAMID ELEMENT I	DV2-3210-00-14-POS.2	2
27	POLYAMID ELEMENT II	DV2-3210-00-14-POS.1	1
28	FITTING LH	DV2-3210-00-03-LH	1
29	MAIN LANDING GEAR STRUT R	DV2-3210-00-01-LH	1
30a	RUBBER LH	DV2-3210-00-12	
30b	RUBBER RH	DV2-3210-00-12	

* WHEN ORDERING THIS PART PLEASE SPECIFY THE EXACT BOLT LENGTH

DATE OF ISSUE:

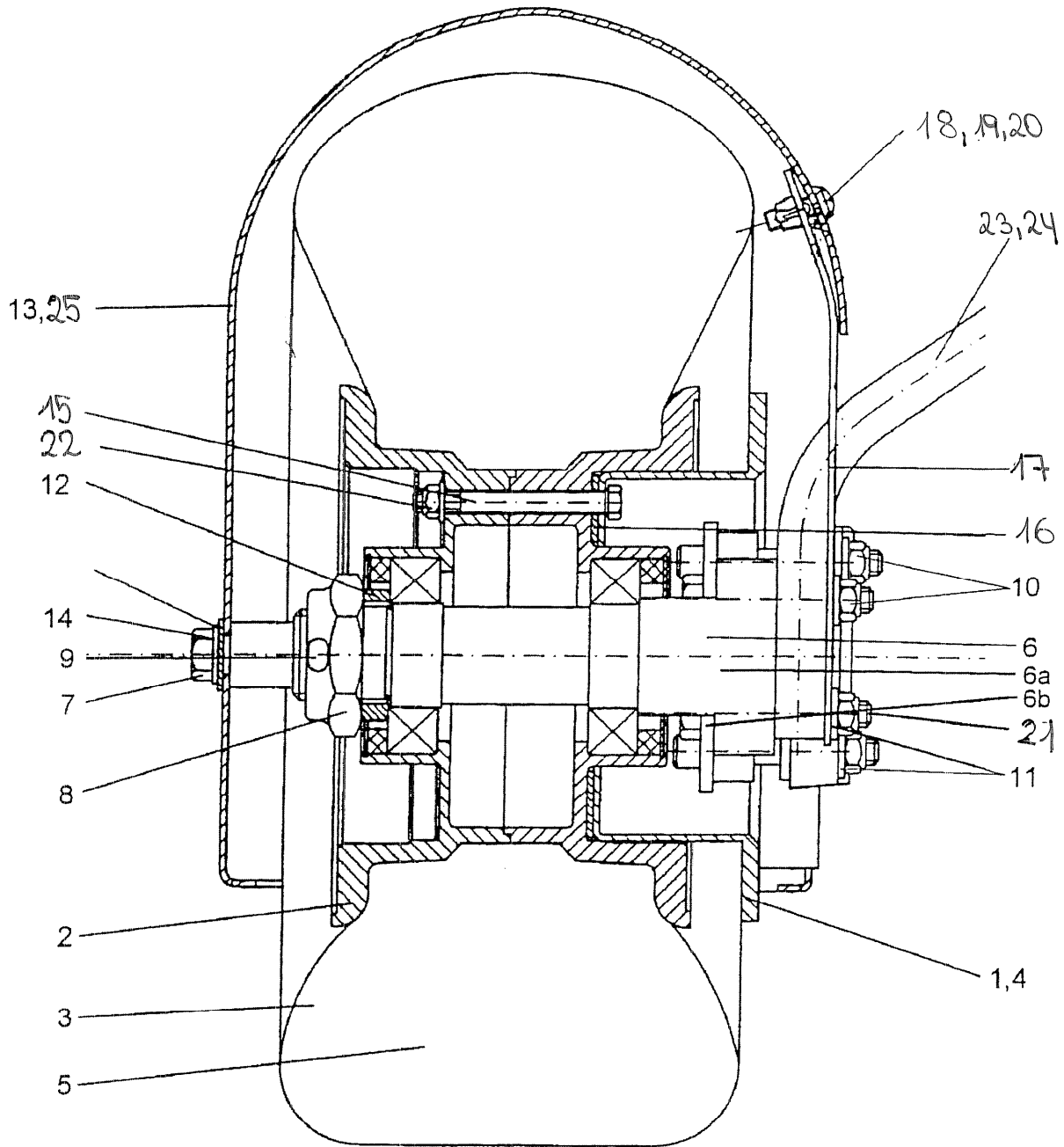
JUL. 1, 2010

REV. NO.:

4

PAGE NO.:

D/3210-00-01/1



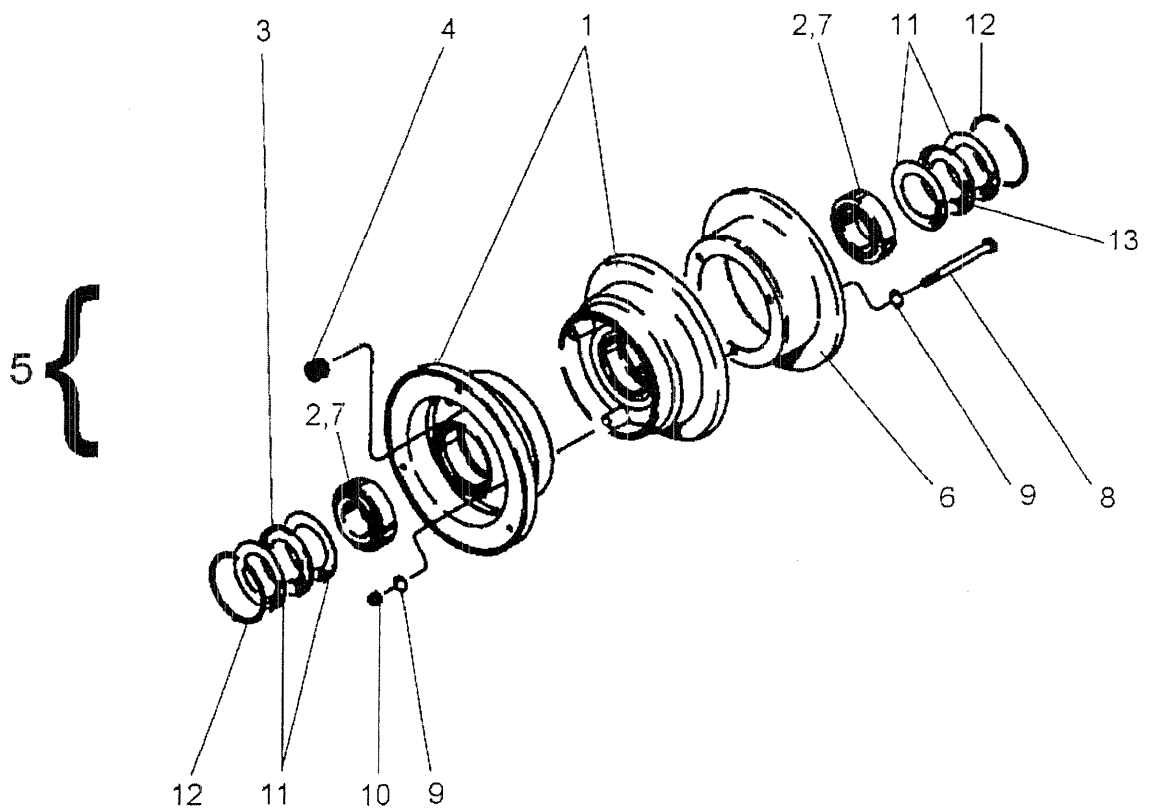
ASSEMBLY NO.: 3210-00-02

VALID FOR SERIAL N°S:

ASSEMBLY NAME: MAIN LANDING GEAR - WHEEL

20005 AND SUBSEQUENT

POS. NO.:	NAME	PART NO.:	QUANTITY PER ASSEMBLY:
1	BRAKE DISC	164-24200	1
2	RIM COMPLETE	40-78E	1
3	TIRE	385M61-1	1
4	BRAKE	30-9D	1
5	TUBE	302-013-400	1
6	AXLE	TC1-3213-11-30	1
6a	OPTIONAL AXLE FOR SERVICE BULLETIN 20	DV2-3210-01-01	1
6b	SUITABLE RING FOR 6a	DV2-3210-01-02	1
7	BOLT	DIN933-M8X20	1
8	CASTLE NUT	DIN937-M30X2-YZP	1
9	COTTER PIN	DIN94-6.3X50-ZP	1
10	SELF LOCKING NUT	LN9348-M8	4
11	WASHER	DIN134-8-ZP	4
12	SPACER	TC1-3213-11-31	1
13	MAIN WHEEL FAIRING RH	DV2-3210-00-10-RH	1
14	WASHER	BN567-8	1
15	BOLT	AN4-23-A	1
16	SPACER	820-3210-03-03	3
17	WHEEL FAIRING MOUNT	DV2-3210-40-00	1
18	PLATE NUT	LN29671-AM5-MOD	1
19	RIVET	DIN7337-A3.2X8	2
20	SCREW	BN1593-M5X16	4
21	SCREW	LN9037-M8X55	2
22	HEXAGON NUT	MS21044N4	4
23	MAIN LANDING GEAR STRUT LH	DV2-3210-00-01-RH	3
24	MAIN LANDING GEAR STRUT RH	DV2-3210-00-01-LH	1
25	MAIN WEHEEL FAIRING LH	DV2-3210-00-10-LH	1



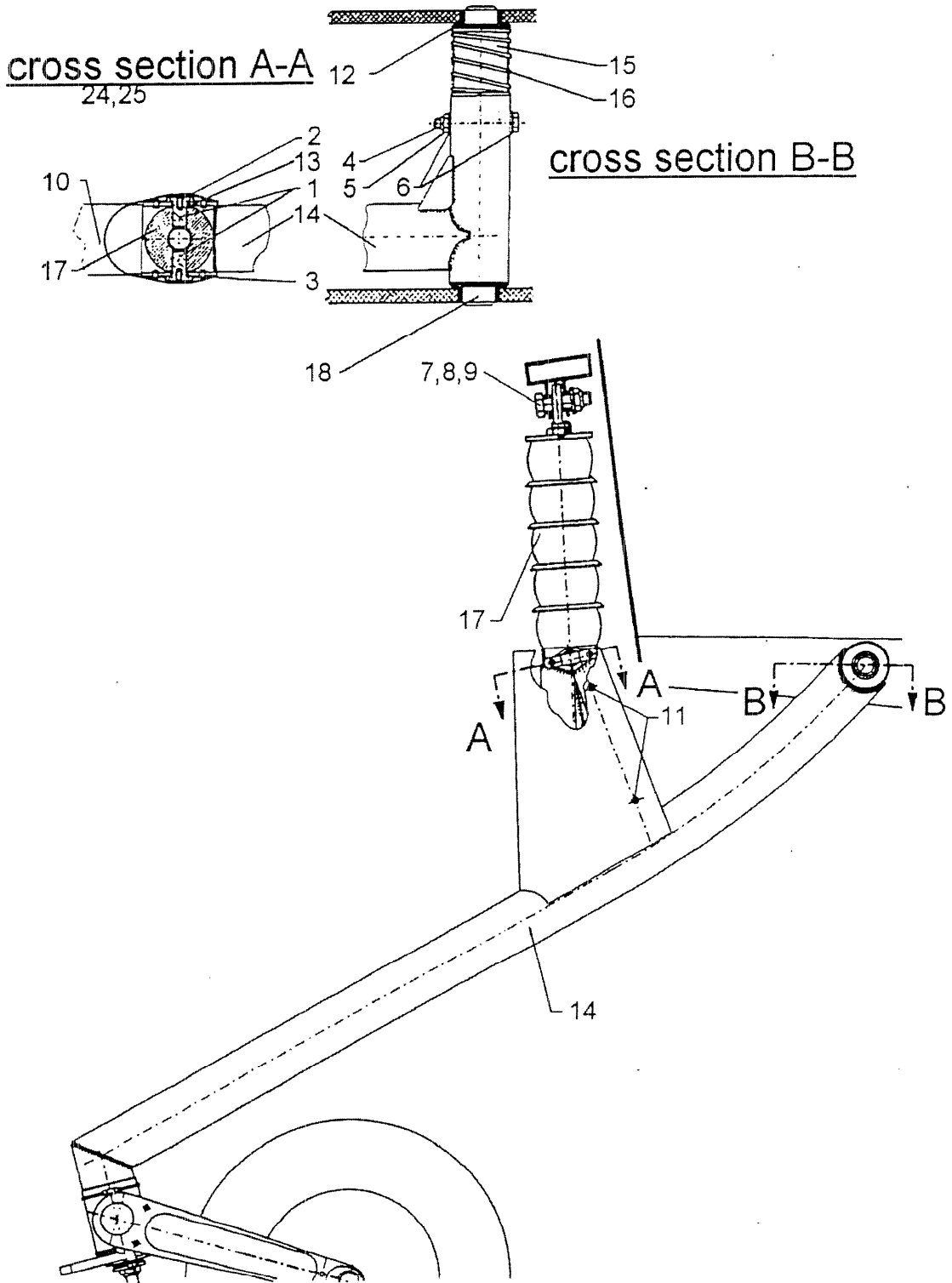
ASSEMBLY NO.: 3210-00-03

VALID FOR SERIAL N`S:

ASSEMBLY NAME: MAIN LANDING GEAR - WHEEL
ASSEMBLY

20005 AND SUBSEQUENT

POS. NO.:	NAME	PART NO.:	QUANTITY PER ASSEMBLY.:
1	RIM	40-78E	1
2	CUP BEARING	08231-20629	2
3	FELT-GREASE SEAL	154-00600	2
4	GROMMET	420	1
5	RIM KOMPLETE	40-78E	1
6	BRAKE DISC	164-24200	1
7	CONE BEARING	08125-20629	2
8	BOLT	AN4-23-A	3
9	WASHER	NAS1149F0463P	3
10	HEXAGON NUT	MS21044N4	3
11	RING-GREASE SEAL	153-00800	4
12	RING-SNAP	155-00200	2

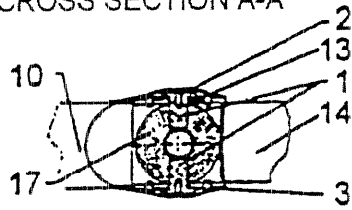


ASSEMBLY NO.: 3220-00-01
 ASSEMBLY NAME: NOSE GEAR MOUNTING

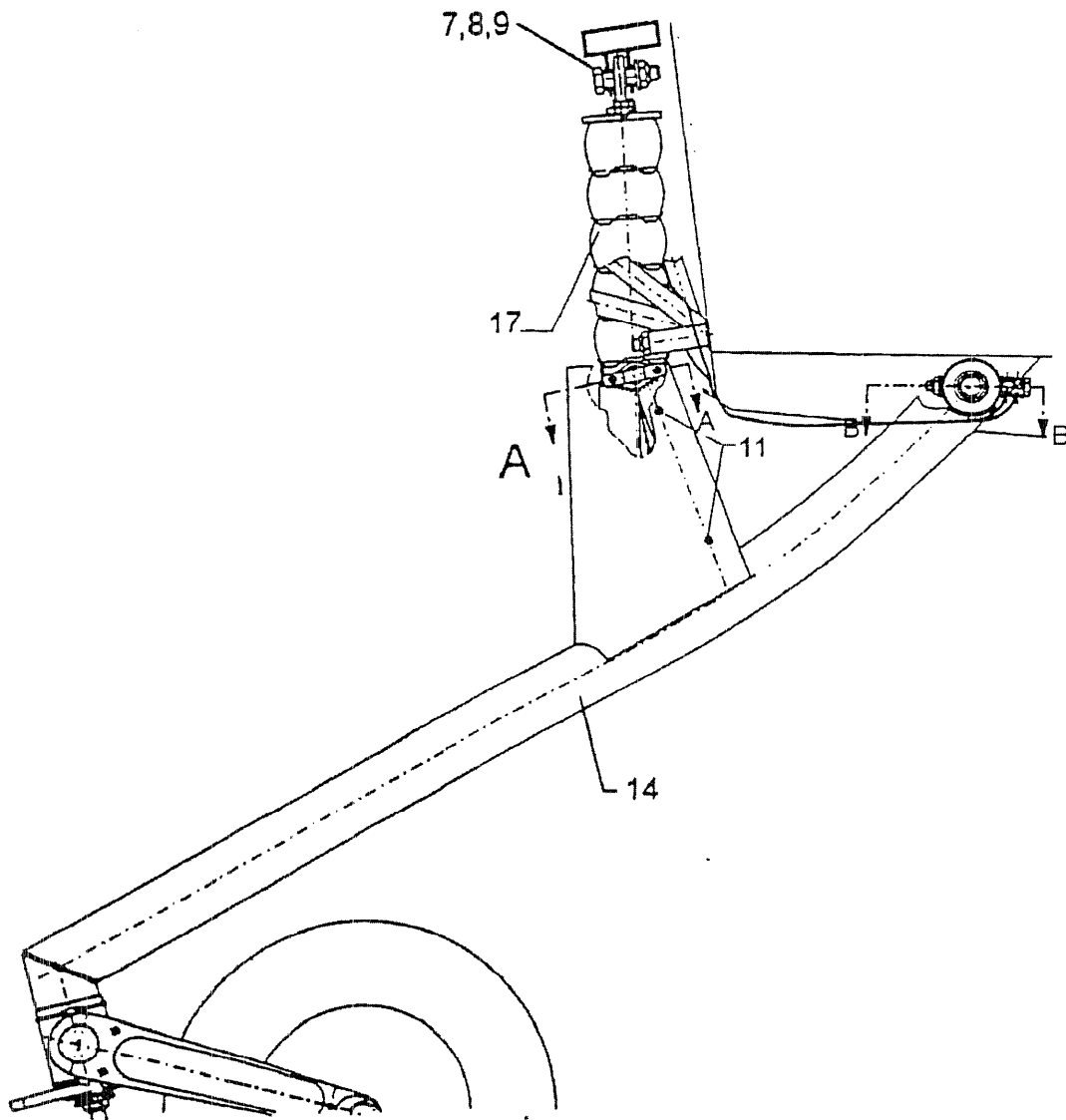
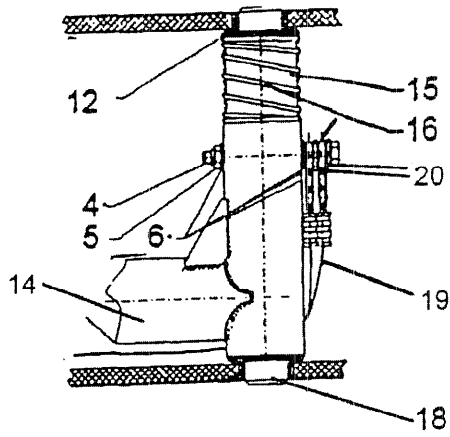
VALID FOR SERIAL N`S:
 20005 AND SUBSEQUENT

POS. NO.:	NAME	PART NO.:	QUANTITY PER ASSEMBLY:
1	BOLT	TC1-3223-00-32	2
2	LOCKING PLATE	TC1-3223-00-01	2
3	RIVET	DIN7337-A3.2X8	4
4	BOLT	LN9037-M8X58	1
5	SELF LOCKING NUT	LN9348-M8	1
6	WASHER	BN567-8	2
7	BOLT	DIN931-M12X50-8.8-ZP	1
8	SELF LOCKING NUT	DIN985-M12-A2	1
9	WASHER	BN737-13X30X3	1
10	NOSE WHEEL FAIRING 2	TC1-3223-00-02	1
11	RIVET	DIN7337-A4.0X8.5-A2	4
12	COLLAR BUSH	PAF25115P10	2
13	COLLAR BUSH	DV2-3220-04-04	2
14	NOSE WHEEL LEG	DV2-3220-01-00	1
15	PIN	DV2-3220-01-07	1
16	SPRING	VD-263V-19	1
17	RUBBER SPRING ASSEMBLY	DV2-3220-05-00	1
18	PIN	DV2-3220-01-06	1

CROSS SECTION A-A



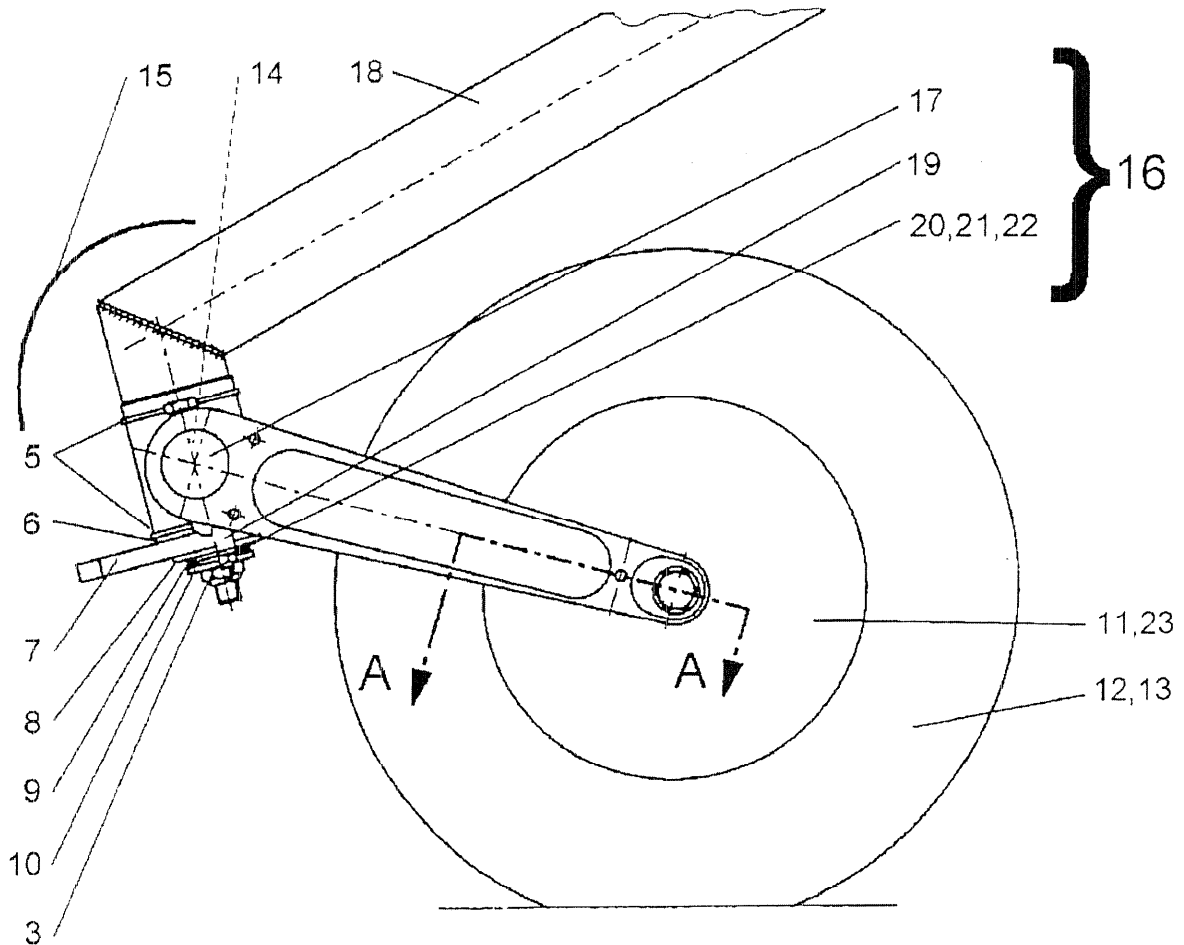
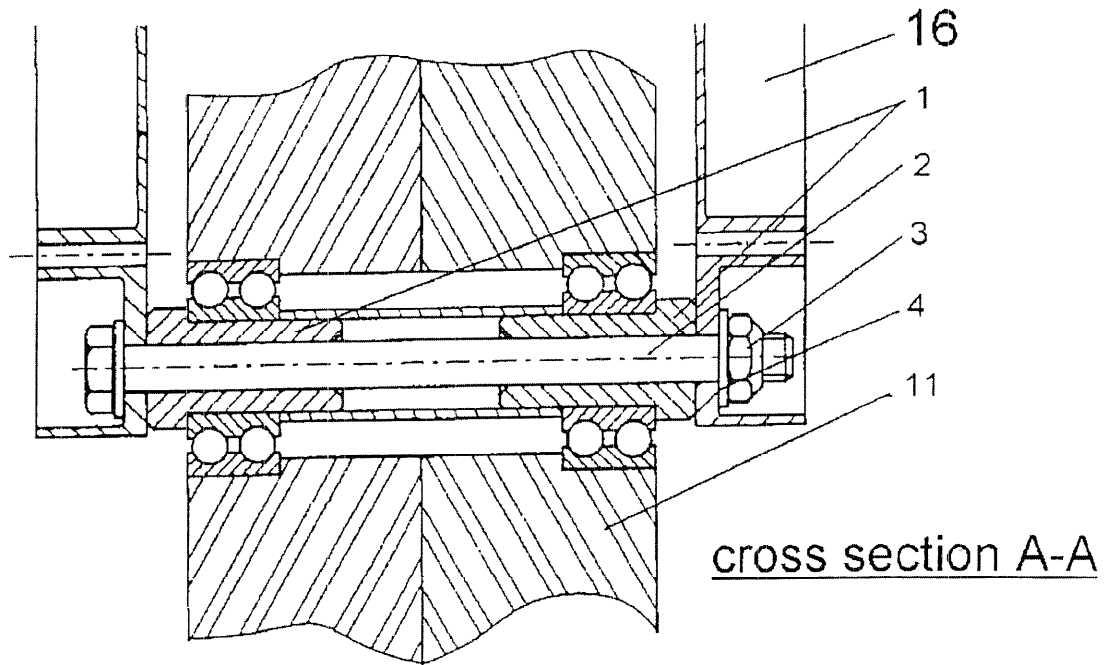
CROSS SECTION B-B



ASSEMBLY NO.: 3220-00-01
ASSEMBLY NAME: NOSE GEAR MOUNTING

VALID FOR SERIAL N°S:
20005 AND SUBSEQUENT
WHEN REGISTRATED IN ITALY
20130 AND SUBSEQUENT

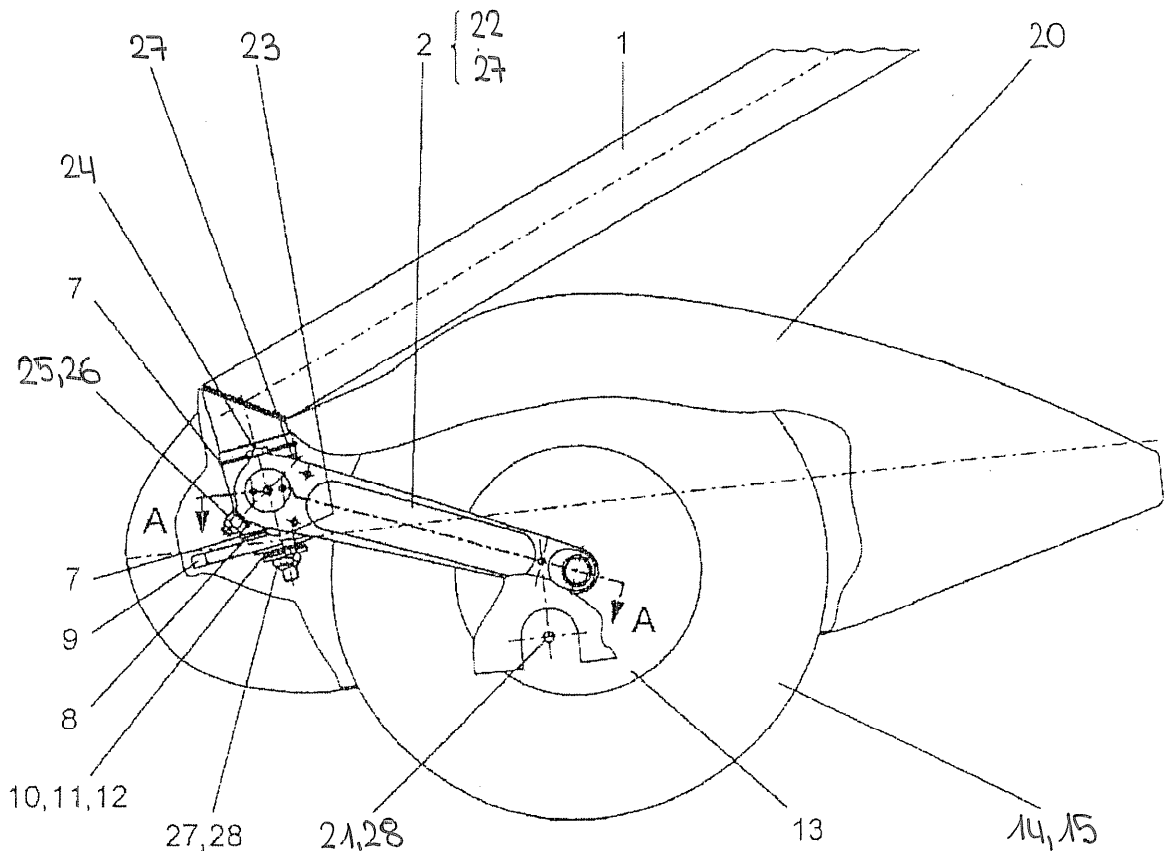
POS. NO.:	NAME	PART NO.:	QUANTITY PER ASSEMBLY:
1	BOLT	DV2-3220-00-01	2
2	LOCKING PLATE	TC1-3223-00-01	2
3	RIVET	DIN7337-A3.2X8	4
4	BOLT	LN9037-M8X58	1
5	SELF LOCKING NUT	LN9348-M8	1
6	WASHER	BN567-8	4
7	BOLT	DIN931-M12X50-8.8-ZP	1
8	SELF LOCKING NUT	DIN985-M12-A2	1
9	WASHER	BN737-13X30X3	1
10	NOSE WHEEL FAIRING 2	DV2-3220-00-07	1
11	RIVET	DIN7337-A4.0X8.5-A2	4
12	COLLAR BUSH	PAF25115P10	2
13	COLLAR BUSH	DV2-3220-04-04	2
14	NOSE WHEEL LEG	DV2-3220-01-00	1
15	PIN	DV2-3220-01-07	1
16	SPRING	VD-263V-19	1
17	RUBBER SPRING ASSEMBLY	DV2-3220-05-00_	1
18	PIN	DV2-3220-01-06	1



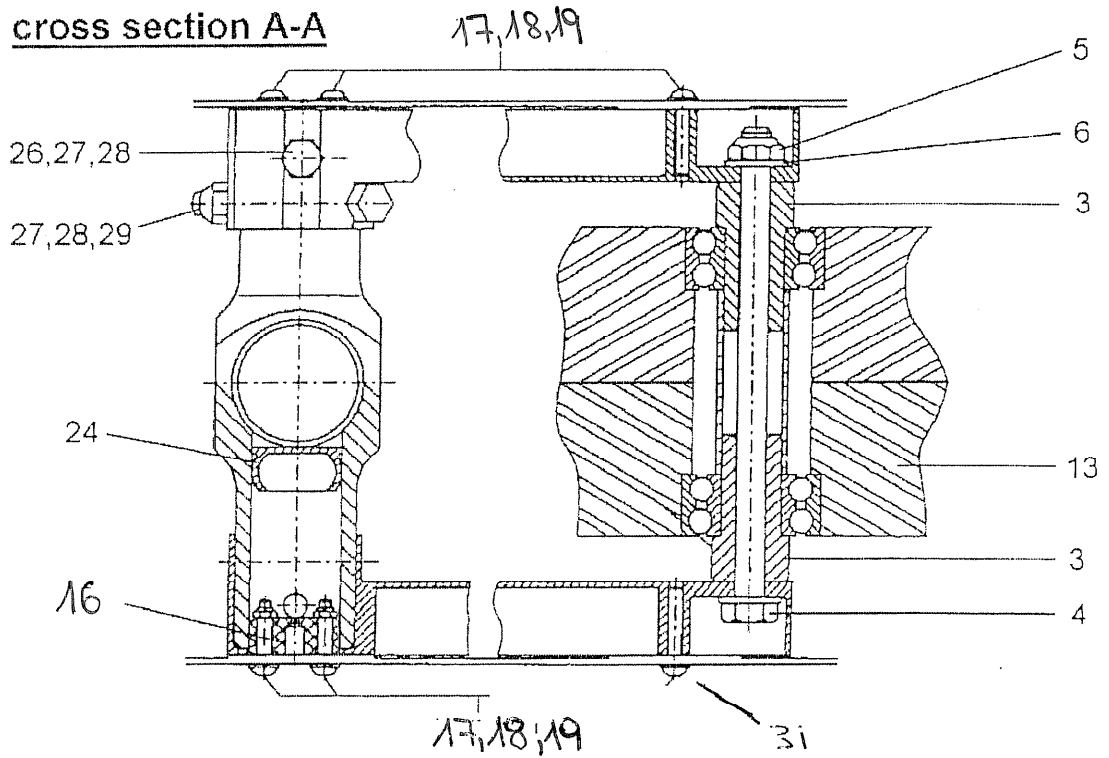
ASSEMBLY NO.: 3220-00-02
 ASSEMBLY NAME: NOSE GEAR WHEEL

VALID FOR SERIAL N°S:
 20005 TO 20120

POS. NO.:	NAME	PART NO.:	QUANTITY PER ASSEMBLY:
1	BUSH	TC1-3223-00-31	2
2	BOLT	DIN931-M10X150-ZP	1
3	SELF LOCKING NUT	DIN985-M10-A2	2
4	WASHER	DIN125-BM10-ZP	2
5	COLLAR BUSH	PAF40260P11	2
6	WASHER	DV2-3220-00-05	1
7	STOP FITTING	TC1-3223-00-51	1
8	WASHER	BN732-M10X40-BZP	1
9	SPRING WASHER	DIN2093-28X10,2X1,25	2
10	WASHER	DIN9021-BM10X30-ZP	1
11	RIM	034200	1
12	TIRE	064491	1
13	TUBE	064692	1
14	POLYAMIDE STOPPLE	DV2-3220-00-06-MOD	2
15	NOSE WHEEL FAIRING	DV20.135355	1
16	NOSE WHEEL FORK	DV2-3220-02-00	1
17	STOPPLE	GPN300_V241	2
18	NOSE WHEEL LEG	DV2-3220-01-00	1
19	POLYAMID STOP	DV2-3220-02-03	2
20	WASHER	DV2-3220-00-05	2
21	BOLT	LN9037-M8X80	2
22	SELF LOCKING NUT	LN9348-M8	2
23	VALVE EXTESION	562-4302	1



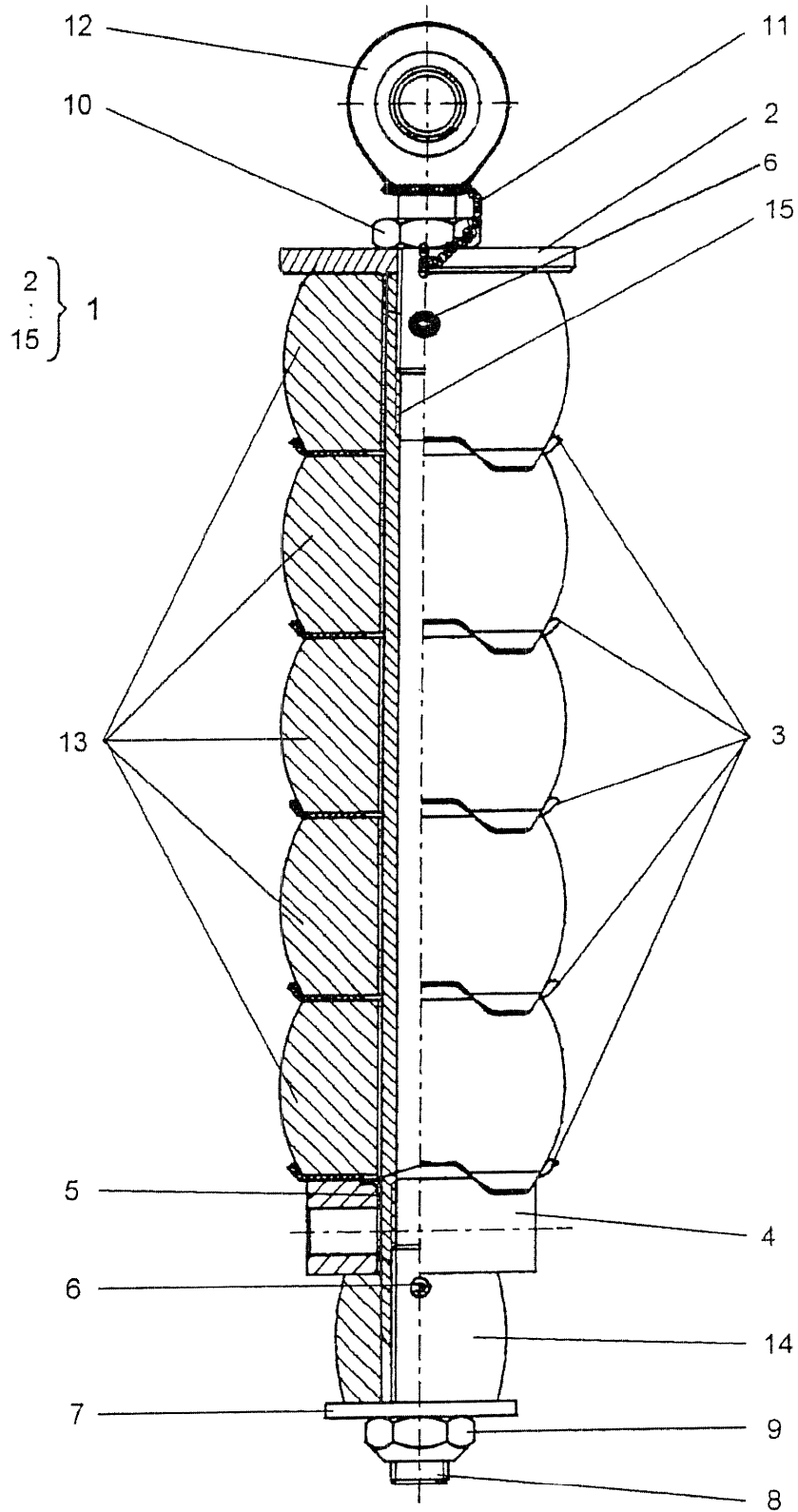
cross section A-A



ASSEMBLY NO.: 3220-00-02
 ASSEMBLY NAME: NOSE GEAR - WHEEL

VALID FOR SERIAL N'S:
 20121 AND SUBSEQUENT

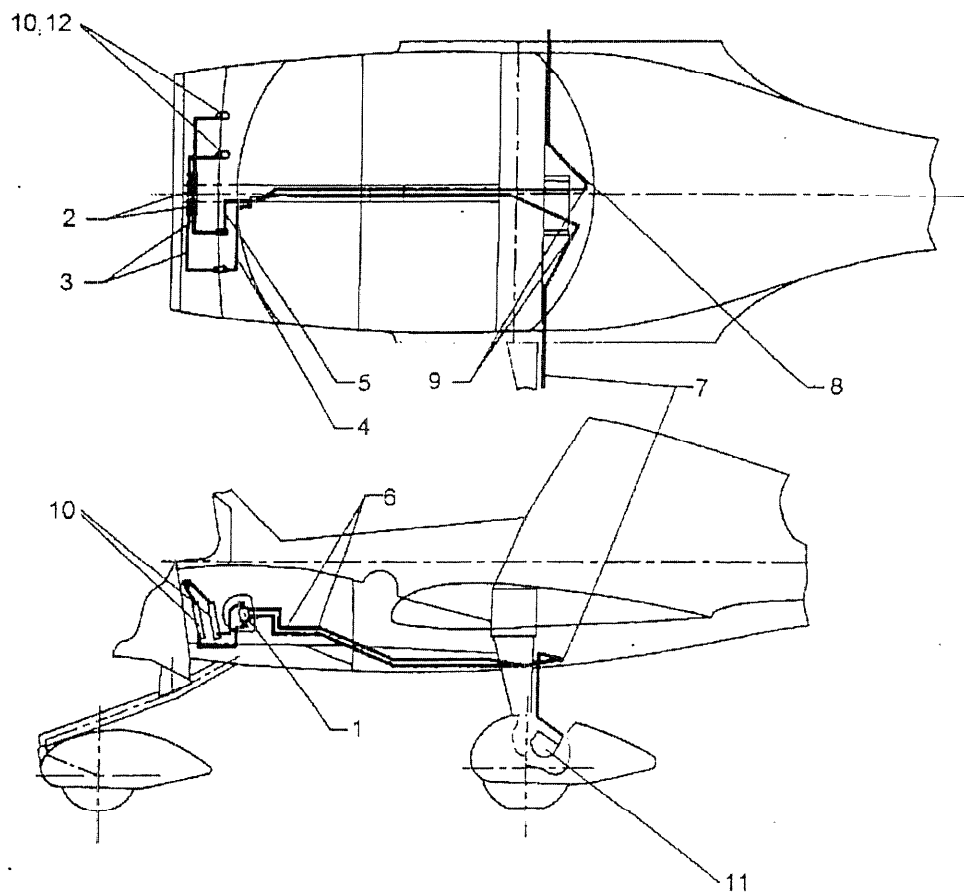
POS. NO.:	NAME	PART NO.:	QUANTITY PER ASSEMBLY:
1	NOSE WHEEL LEG	DV2-3220-01-00	1
2	NOSE WHEEL FORK	DV2-3220-02-00	1
3	BUSH	TC1-3223-00-31	2
4	BOLT	DIN931-M10X160-ZP	1
5	SELF LOCKING NUT	DIN985-M10-A2	2
6	WASHER	DIN125-BM10-ZP	2
7	COLLAR BUSH	PAF40260P11	2
8	WASHER	DV2-3220-00-05	1
9	STOP FITTING	TC1-3223-00-51	1
10	WASHER	BN732-M10X40-BZP	1
11	SPRING WASHER	DIN2093-28X10,2X1,25	2
12	WASHER	DIN9021-BM10X30-ZP	1
13	RIM	034200	1
14	TUBE 5,00-4"	5.0X4TR67REG	0-1
15	TIRE 5,00-4"	504C61-2	0-1
16	POLYAMIDE STOPPLE	TC1-3223-00-34	0-1
17	BOLT	ISO7380-M5X25-A2	0-1
18	SELF LOCKING NUT	DIN985-M5-A2	2
19	POLYAMIDE WASHER	DIN125-AM5-PA	6
20	NOSE WHEEL FAIRING	DV20.135395	6
21	CAP FOR 4,00-4"	N000109	6
22	STOPPLE	GPN300_V241	1
23	POLYAMIDE STOP	DV2-3220-02-32	0-1
24	BOLT	LN9037-M8X80	2
25	WASHER	DV2-3220-00-05	2
26	SELF LOCKING NUT	LN9348-M8	2
27	BOLT	LN9037-M8X65	4
28	VALVE EXTESION FOR 4,00-4"	562-4302	4
			2
			0-1



ASSEMBLY NO.: 3220-01-01
ASSEMBLY NAME: RUBBER SPRING ASSEMBLY

VALID FOR SERIAL N'S:
20005 AND SUBSEQUENT

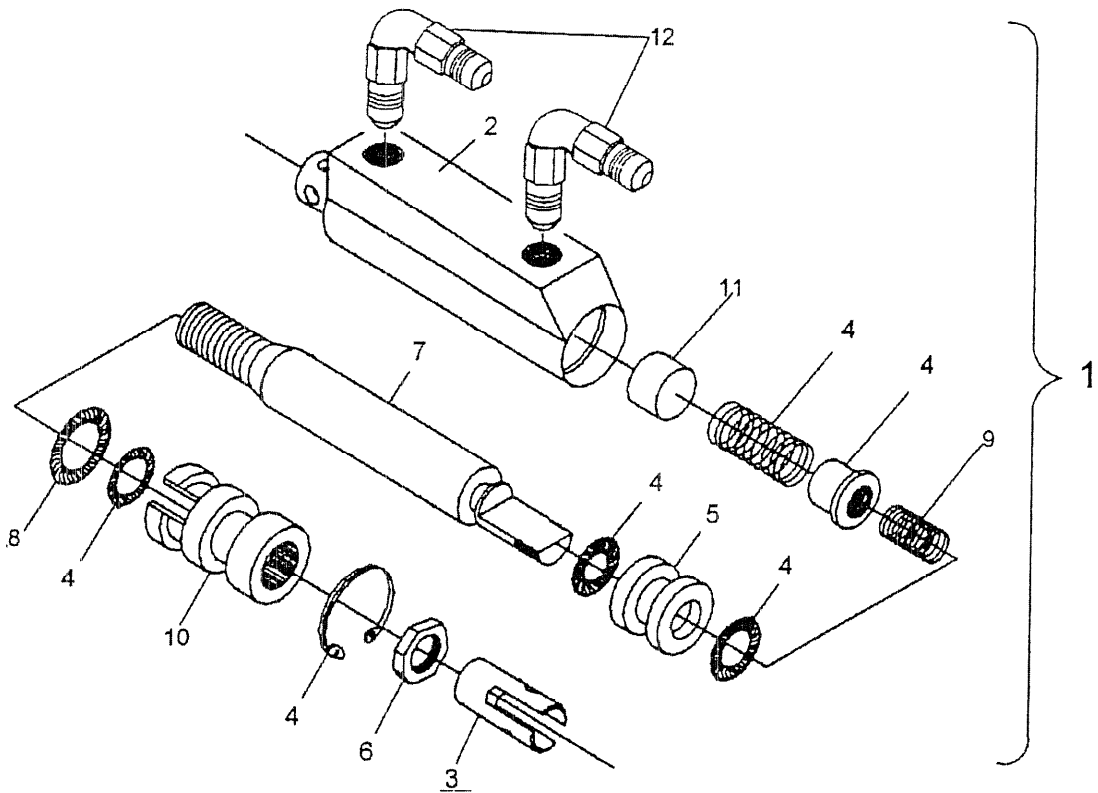
POS. NO.:	NAME	PART NO.:	QUANTITY PER ASSEMBLY:
1	RUBBER SPRING ASSEMBLY	DV2-3220-05-00_	1
2	SPRING ASSEMBLY CAP	DV2-3220-05-02	1
3	ALUMINUM DISK	DV2-3220-05-03	5
4	LINK	DV2-3220-05-04	1
5	COLLAR BUSH	PAF16170P10	1
6	DOWEL PIN	DIN1481-4X16-A2	2
7	WASHER	BN737-13X30X3	1
8	THREADED PIN	DIN913-M12X50-A2	1
9	SELF LOCKING NUT	DIN985-M12-A2	1
10	HEXAGON NUT	DIN439-BM12	1
11	LOCKING WIRE	MS20995C-32	1
12	ROD END BEARING	SA12E-M12X50	1
13	RUBBER DISK	DV2-9032-23-01	5
14	RUBBER DISK	DV2-9032-23-02	1
15	RUBBER SPRING DISK GUIDE	DV2-3220-05-01	1



ASSEMBLY NO.: 3240-01-00
ASSEMBLY NAME: BRAKE SYSTEM

VALID FOR SERIAL N`S:
20005 AND SUBSEQUENT

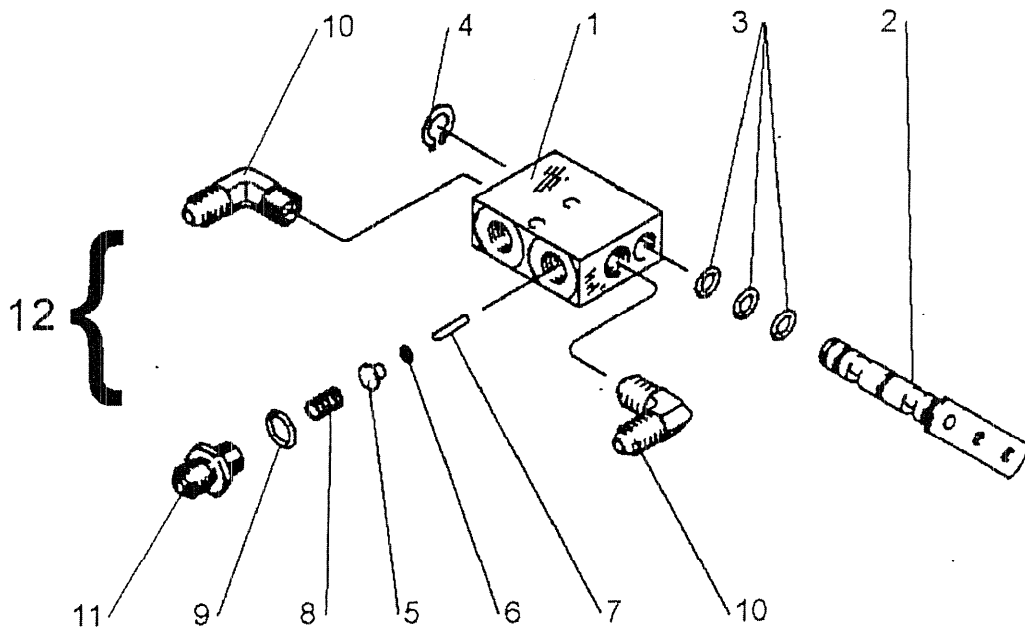
POS. NO.:	NAME	PART NO.:	QUANTITY PER ASSEMBLY.:
1	PARKING VALVE	60-5B	1
2	HOSE	2650-8	2
3	BRAKE HOSE	DV2-3240-00-05	2
4	BRAKE HOSE	DV2-3240-00-04	1
5	BRAKE HOSE	DV2-3240-00-03	1
6	BRAKE STEELLINE	DV2-3240-00-02	2
7	BRAKE STEELLINE	DV2-3240-00-01-LH	1
8	BRAKE STEELLINE	DV2-3240-00-01-RH	1
9	FITTING	AN821-3D	2
10	BRAKE CYLINDER	MC-4D-MOD	4
11	BRAKE	30-9D	2
12	BRAKE FLUID RESERVOIR	A600	2



ASSEMBLY NO.: 3240-01-01
ASSEMBLY NAME: BRAKECYLINDER

VALID FOR SERIAL N`S:
20005 AND SUBSEQUENT

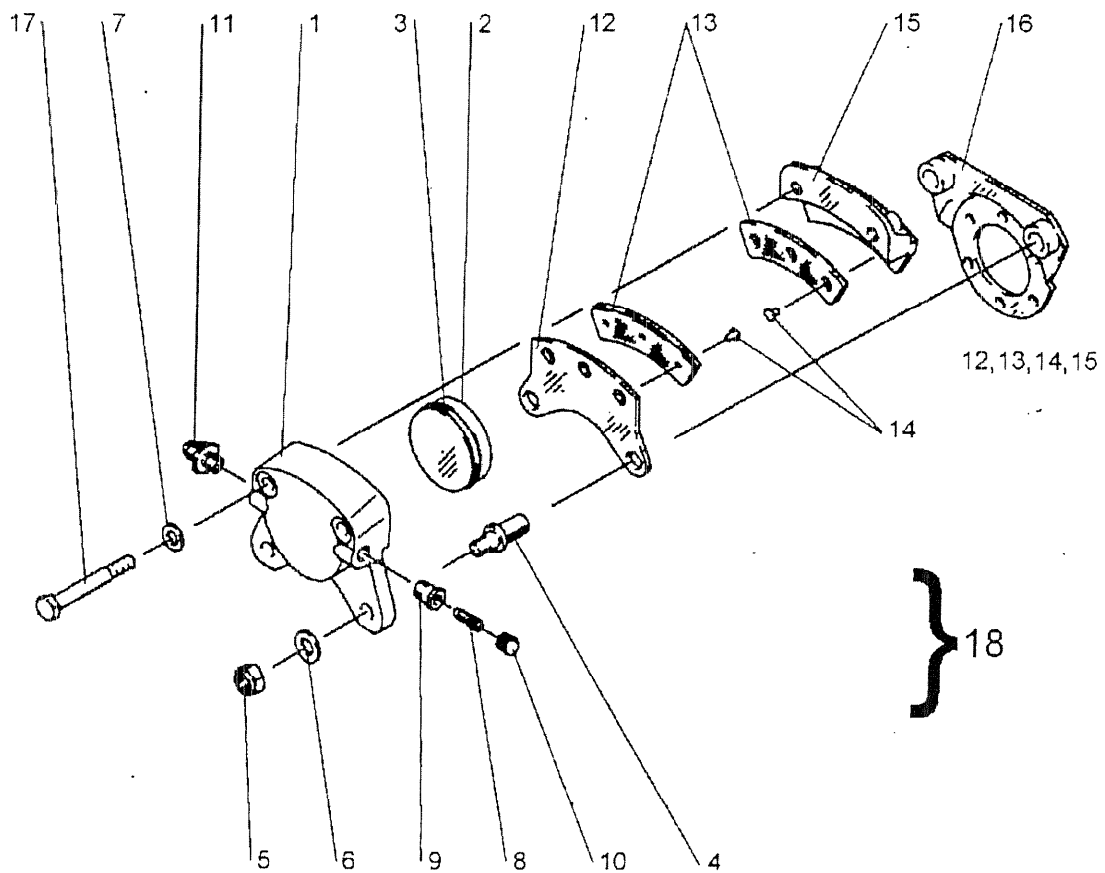
POS. NO.:	NAME	PART NO.:	QUANTITY PER ASSEMBLY.:
1	BRAKECYLINDER	MC-4D-MOD	4
2	HOUSING	ON REQUEST	1
3	CLEVIS	ON REQUEST	1
4	REBUILT KIT	MCRBD4A	1
5	PISTON	ON REQUEST	1
6	NUT	MC-4D	1
7	SHAFT	ON REQUEST	1
8	O-RING	ON REQUEST	1
9	VALVE SPRING	ON REQUEST	1
10	END GLAND	ON REQUEST	1
11	PEDESTAL, MC-4A	ON REQUEST	1
12	FITTING	MS20822-3D	2



ASSEMBLY NO.: 3240-01-02
ASSEMBLY NAME: PARKING VALVE ASSEMBLY

VALID FOR SERIAL N`S:
20005 AND SUBSEQUENT

POS. NO.:	NAME	PART NO.:	QUANTITY PER ASSEMBLY.:
1	BODY	195-02400	1
2	CAMSHAFT	ON REQUEST	1
3	O-RING	MS28775-010	3
4	RING-SNAP	ON REQUEST	1
5	POPPET	ON REQUEST	2
6	O-RING	101-50353	2
7	DOWEL PIN	ON REQUEST	2
8	SPRING	ON REQUEST	2
9	O-RING	MS28775-012_	2
10	FITTING	104-00900	2
11	FITTING	104-03500	2
12	PARKING VALVE	60-5B	1



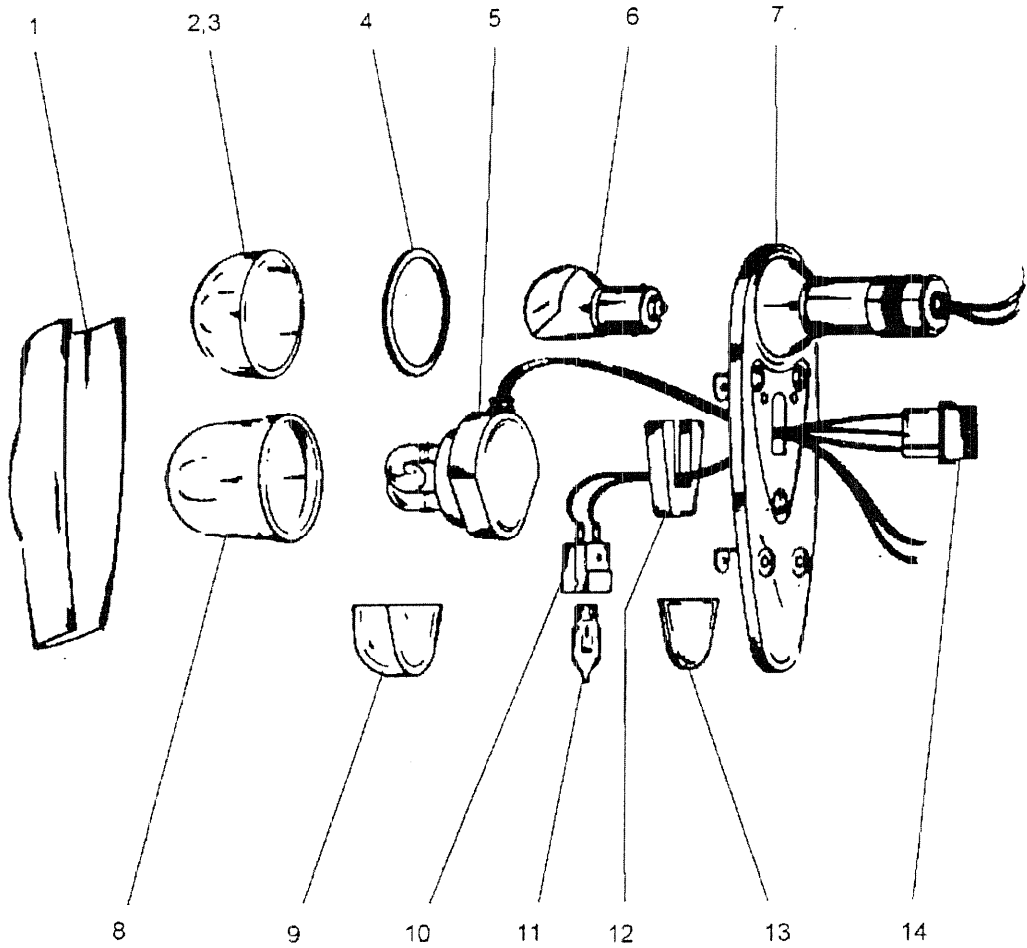
ASSEMBLY NO.: 3240-01-03
ASSEMBLY NAME: BRAKE ASSEMBLY

VALID FOR SERIAL N`S:
20005 AND SUBSEQUENT

POS. NO.:	NAME	PART NO.:	QUANTITY PER ASSEMBLY.:
1	CYLINDER	061-00601	1
2	PISTON	062-00300	1
3	O-RING	MS28775-218	1
4	BOLT-ANCHOR	069-00400	2
5	NUT	MS21044-N4	2
6	WASHER	AN960-416	2
7	WASHER	AN960-416	2
8	SCREW-BLEADER	079-00300	1
9	SEAT-BLEADER	081-00100	1
10	CAP	183-00100	1
11	FITTING	000_558_001	1
12	PLATE-PRESS	063-00500	1
13	LINING	066-10600	2
14	RIVET	105-00200	6
15	PLATE-BACK	064-00500	1
16	TORQUE PLATE	075-19300	1
17	BOLT	103-12100	2
18	BRAKE COMPLETE	30-9D	1

CHAPTER 33 - Lights

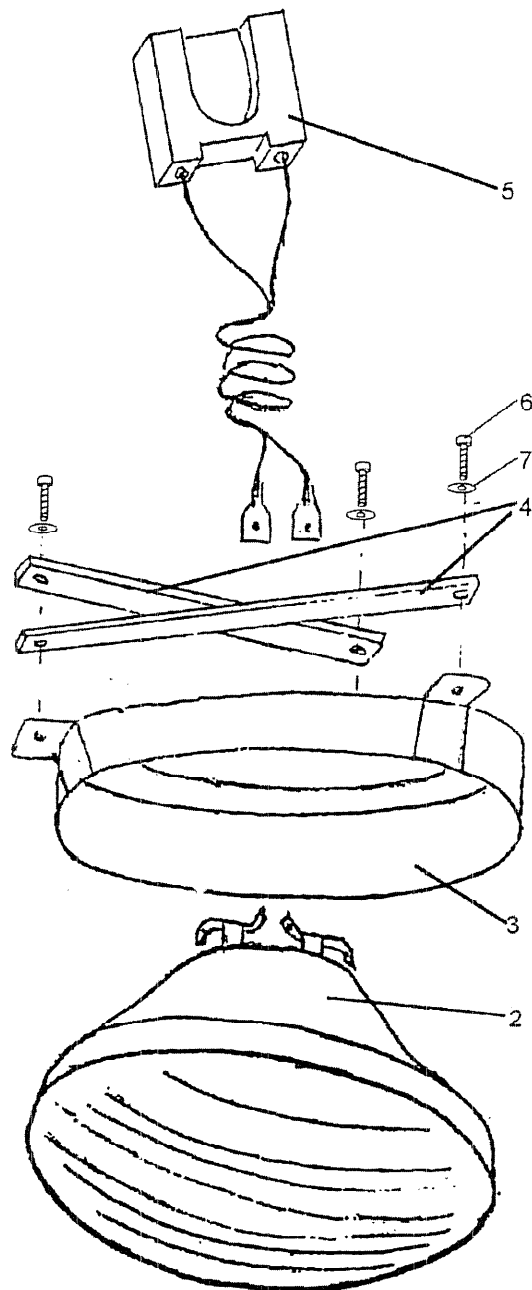
STROBE	PAGE
Strobe.....	3300-00-01/1
LANDING	
LANDING-LIGHT.....	3300-00-02/1



ASSEMBLY NO.: 3300-00-01
ASSEMBLY NAME: STROBE

VALID FOR SERIAL N°S:
20005 AND SUBSEQUENT

POS. NO.:	NAME	PART NO.:	QUANTITY PER ASSEMBLY.:
1	RETAINER	19-170049-009	1
2	POSITION LIGHT LENS GREEN	W1284-G	0-1
3	POSITION LIGHT LENS RED	W1284-R	0-1
4	GASKET FOR POS.LIGHT	W1283	1
5	FLASH TUBE ASSEMBLY	A610	1
6	POSITION LAMP	W1290-14	1
7	BASE PLATE ASSEMBLY	ON REQUEST	1
8	MAGNIFYING LENS	A612	1
9	LENS FOR TAIL LIGHT	A615	1
10	LAMP SOCKET ASSEMBLY	02-0350260-00	1
11	HALOGEN LAMP	A508-14	1
12	RUBBER PAD SPACER	A427-4	1
13	GASKET FOR TAIL LIGHT	W1283	1
14	CONNECTOR	1-480_305-0	1



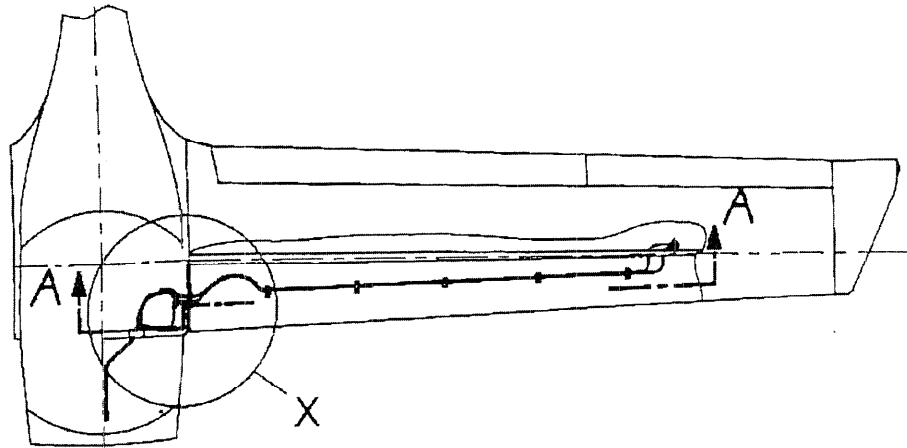
ASSEMBLY NO.: 3300-00-01
ASSEMBLY NAME: LANDING LIGHT

VALID FOR SERIAL N°S:
20005 AND SUBSEQUENT

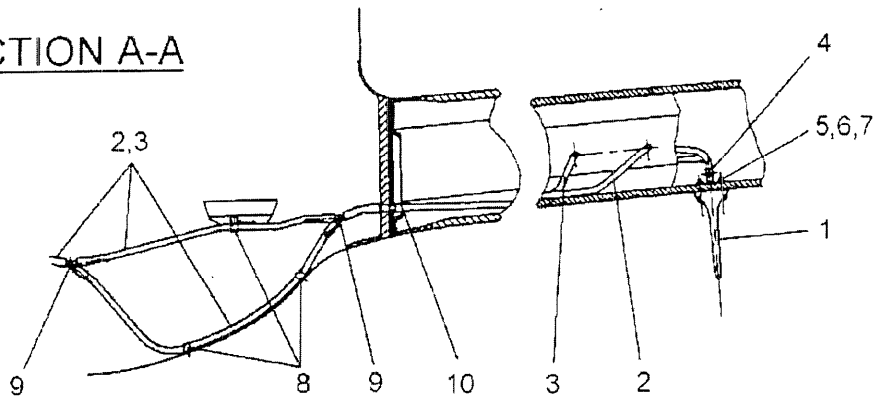
POS. NO.:	NAME	PART NO.:	QUANTITY PER ASSEMBLY:
1	LANDING LIGHT KIT	ON REQUEST	1
2	HEADLIGHT	4509	1
3	LANDINGLIGHT MOUNT	DV2-3300-00-01	1
4	LOCKING PLATE	DV2-3300-00-03	2
5	CABEL WITH CONNECTOR	ON REQUEST	1
6	SCREWS	DIN84-AM4X12-YZP	3
7	WASHER	DIN125-AM4-ZP	3

CHAPTER 34 - Navigation and Pitot-Static-System

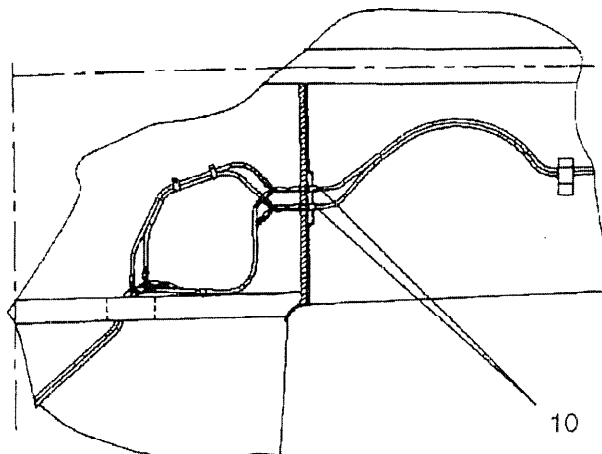
PITOT-STATIC-SYSTEM	PAGE
Pitot-Static-System.....	3411-00-01/1



CROSS SECTION A-A



DETAIL X



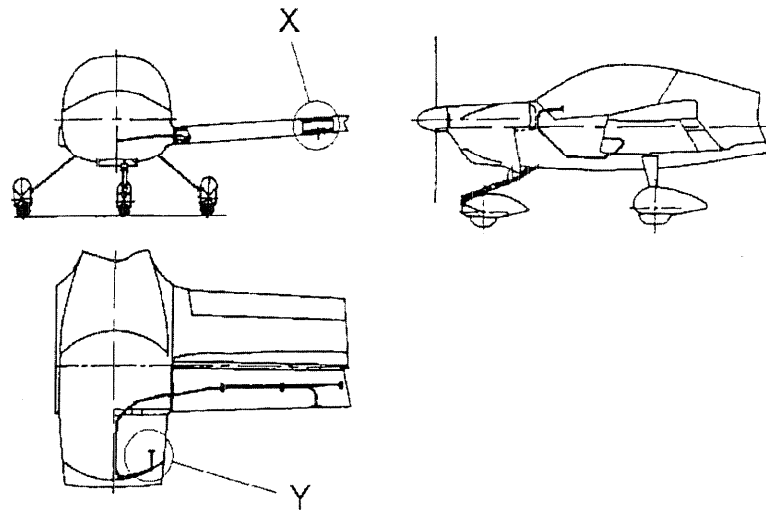
ASSEMBLY NO.: 3411-00-01
ASSEMBLY NAME: PITOT-STATIC-SYSTEM

VALID FOR SERIAL N`S:
20005 AND SUBSEQUENT

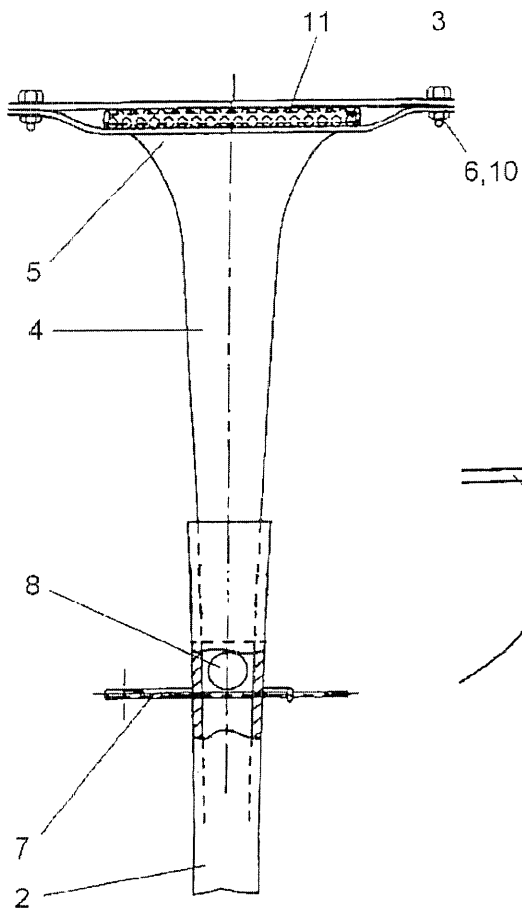
POS. NO.:	NAME	PART NO.:	QUANTITY PER ASSEMBLY.:
1	PITOT-STATIK-ASSEMBLY	65797-007	1
2	HOSE	299T01-009	1
3	HOSE	299T01-004	1
4	OETIKER TYPE CLAMP	10400014	2
5	BOLT	DIN84-AM4X35-BR	3
6	SELF LOCKING NUT	DIN985-M4-A2	3
7	WASHER	DIN125-AM4-ZP	3
8	CLAMP	RSGU1_12_15	3
9	FITTING	YS6	4
10	FITTING	7508900006	2

CHAPTER 39 - Stall-Warning and Instruments

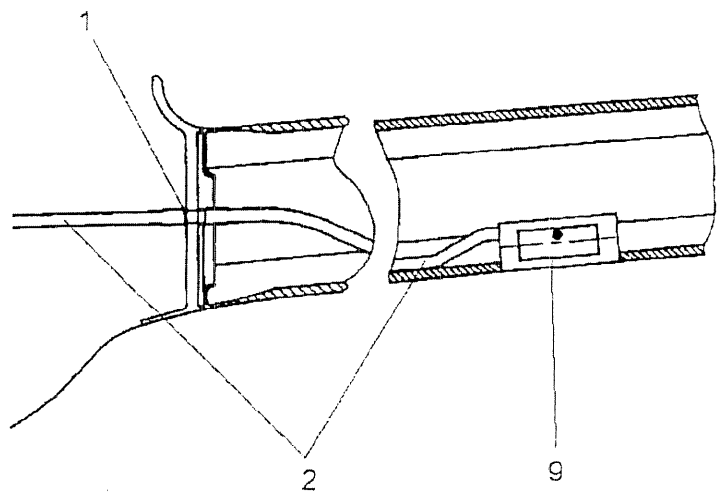
	PAGE
STALL-WARNING	
Stall-Warning-System.....	3900-00-01/1 3900-00-01/2
 INSTRUMENTS	
Cockpit Instruments.....	3910-00-00/1 3910-00-00/2



DETAIL Y



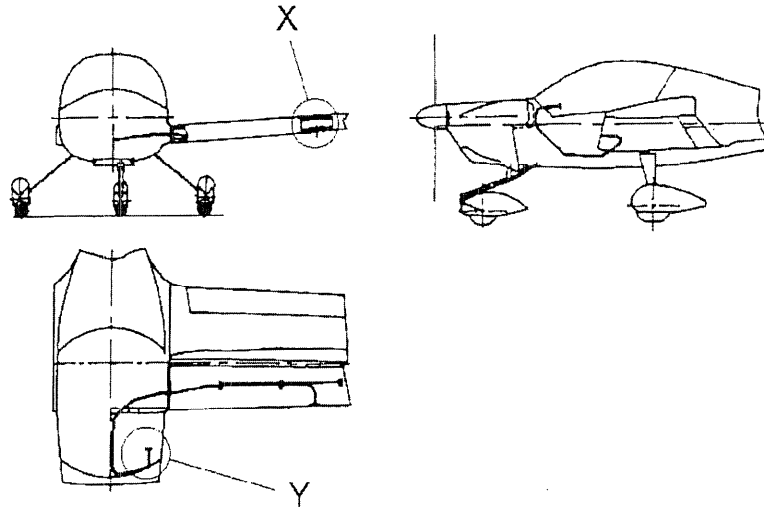
DETAIL X



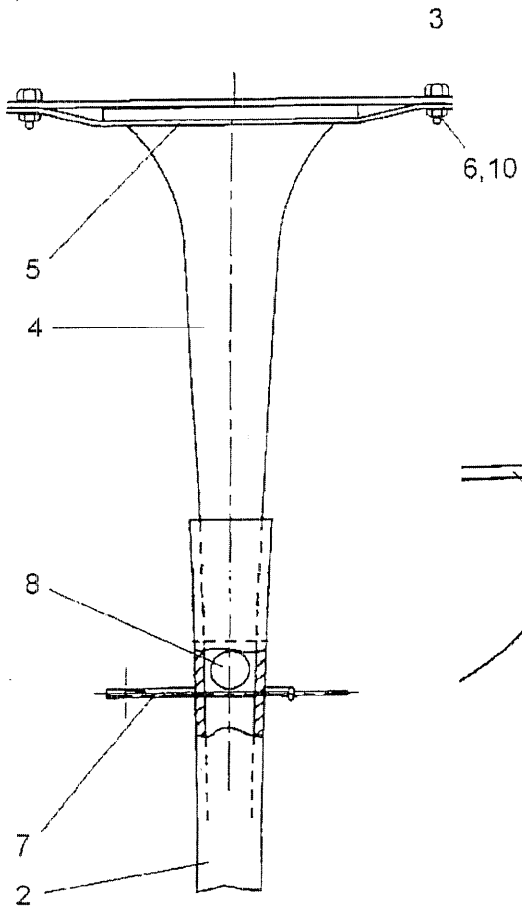
ASSEMBLY NO.: 3900-00-01
ASSEMBLY NAME: STALL-WARNING-SYSTEM

VALID FOR SERIAL N`S:
20005 TO 20069

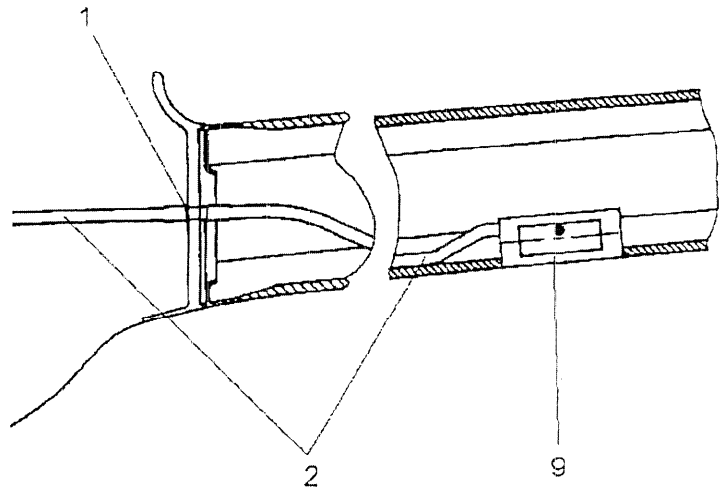
POS. NO.:	NAME	PART NO.:	QUANTITY PER ASSEMBLY.:
1	FITTING	GS10	1
2	HOSE	N000101	2
3	BOLT	9007	2
4	STALL WARNING	0713348-1	1
5	STALL WARNING MOUNT	DV2-3910-00-03	1
6	SELF LOCKING NUT	LN9348-M4	2
7	NEEDLE	57102	1
8	BALL	KV8.0PTFE	1
9	SCOOP	DA4-5711-55-00-NPC	1
10	WASHER	DIN125-A4.3-A2	2
11	GRID	DV2-3910-00-04	1



DETAIL Y



DETAIL X



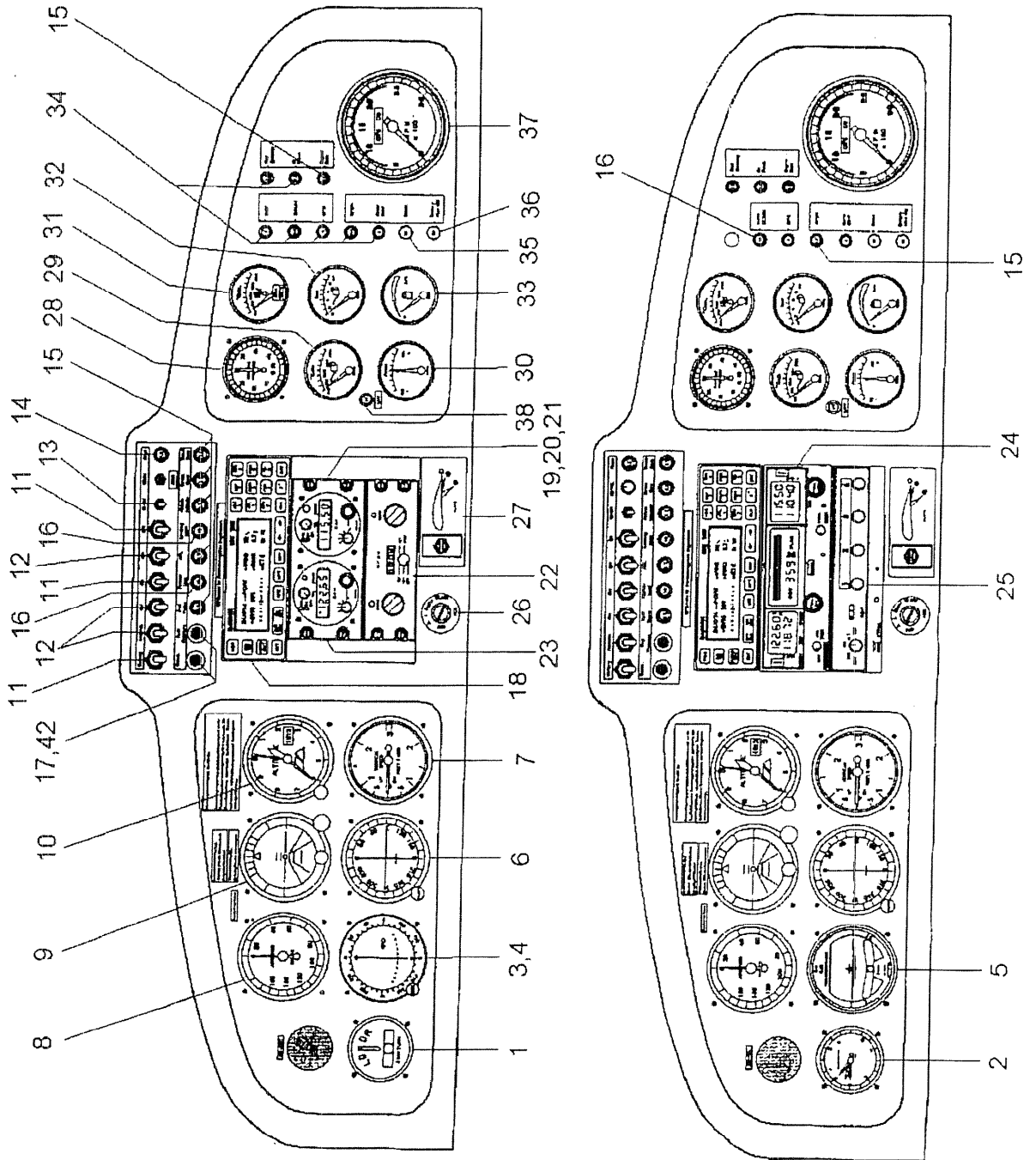
ASSEMBLY NO.: 3900-00-01
ASSEMBLY NAME: STALL-WARNING-SYSTEM

VALID FOR SERIAL N`S:
20070 AND SUBSEQUENT

POS. NO.:	NAME	PART NO.:	QUANTITY PER ASSEMBLY.:
1	FITTING	GS10	1
2	HOSE	N000101	2
3	BOLT	9007	2
4	STALL WARNING	0713348-1	1
5	STALL WARNING MOUNT	DV2-3910-00-03	1
6	SELF LOCKING NUT	LN9348-M4	2
7	NEEDLE	57102	1
8	BALL	KV8.0PTFE	1
9	SCOOP	DA4-5711-55-00-NPC	1
10	WASHER	<u>DIN125-A4.3-A2</u>	2

BECKER

BENDIX/KING



ASSEMBLY NO.: 3910-00-00
 ASSEMBLY NAME: COCKPIT INSTRUMENTS

VALID FOR SERIAL N`S:
 20005 AND SUBSEQUENT

POS. NO.:	NAME	PART NO.:	QUANTITY PER ASSEMBLY.:
1	TURN & SLIP INICATOR	A1050-2	0-1
2	G-INDICATOR	ON REQUEST	0-1
3	VOR INDICATOR KI 208	066-03056-0000	0-1
4	VOR INDICATOR IN 3300	ON REQUEST	0-1
5	TURN INDICATOR	1394T100-7Z	0-1
6	DIRECTIONAL GYRO	RCA15AK-2	1
7	VERTICAL SPEED INDICATOR	7000C31	1
8	AIR SPEED INDICATOR	U.I.8000-707	1
9	ATTITUDE GYRO	RCA26AK-4	1
10	ALTIMETER	ON REQUEST	1
11	TOGGLE SWITCH 2	S2F-I	3
12	TOGGLE SWITCH 1	S1F-I	3
13	COMMUTATOR	MS500M	1
14	CIRCUIT BREAKER abschaltbar	N000041	1
15	CIRCUIT BREAKER	2-5700-IG9-K10-3.5A	6-7
16	CIRCUIT BREAKER	2-5700-IG1-K10-10A	2-3
17	CONTROLL LIGHT	986310093	2
18	GPS 100 AVD	ON REQUEST	0-1
19	NAV RECEIVER -S	ON REQUEST	0-1
20	NAV RECEIVER -1	ON REQUEST	0-1
21	NAV RECEIVER -2	ON REQUEST	0-1
22	TRANSPONDER ATC 2000	ATC2000	0-1
23	COM RECEIVER	0389.528-910	0-1
24	NAV/COM RECEIVER	069-01028-1101	0-1
25	TRANSPONDER KT 76A	066-01062-0010	0-1
26	IGNITION SWITCH	A510-2	1
27	FLAP CONTROL	DV20.157710_	1
28	MANIFOLD PRESSURE	7-100-10	1
29	OIL TEMPERATURE IND.	310030003G140	1
30	AMPEREMETER	190.004_039_002	1
31	CYLINDER HEAD TEMP. IND.	310030003G-150	1
32	OIL PRESSURE IND.	350_030_004	1
33	FUEL INDICATION	301.272.052_001_K	1

DATE OF ISSUE:

REV. NO.:

PAGE NO.:

JUL. 1, 2010

4

D/3910-00-00/1

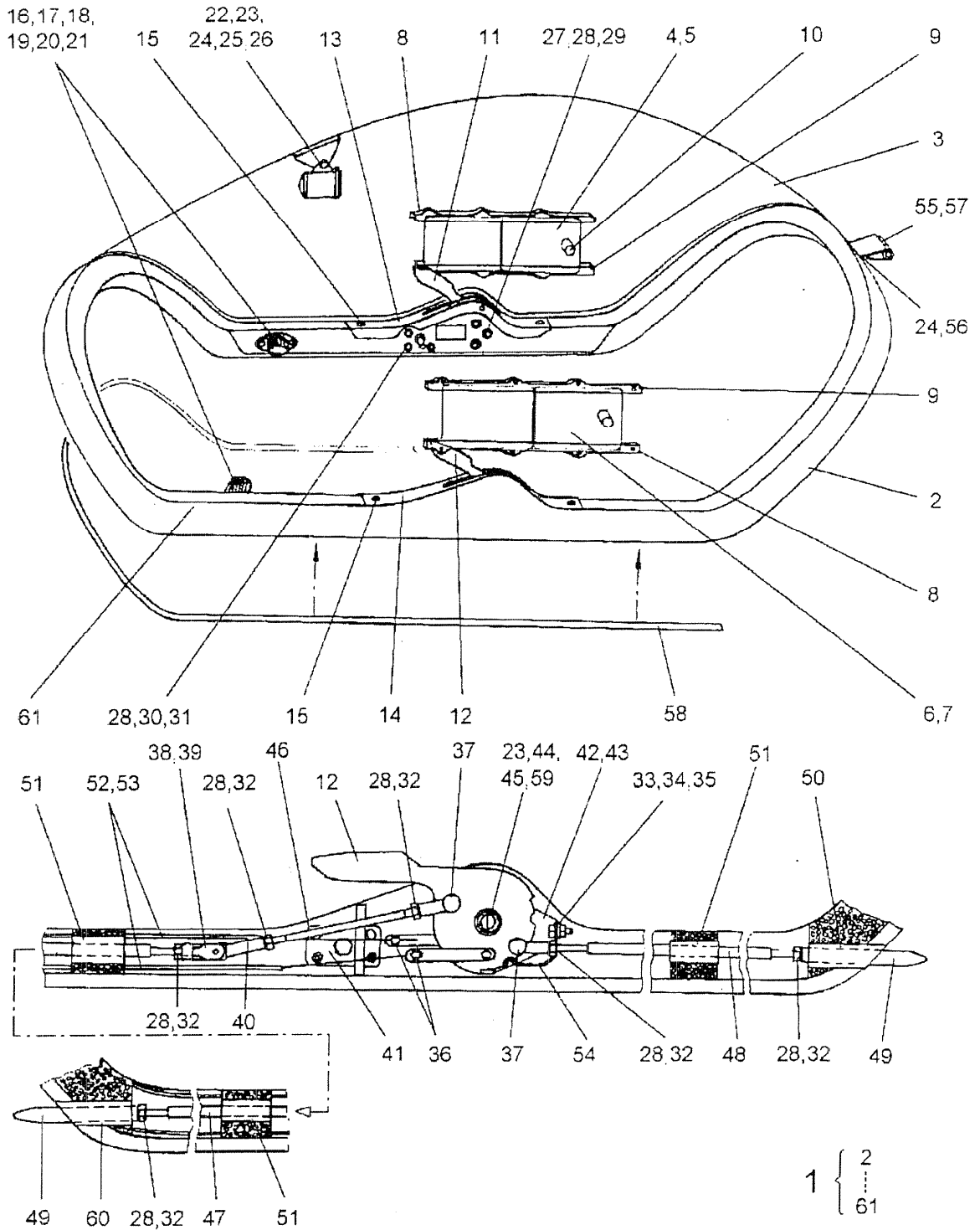
ASSEMBLY NO.: 3910-00-00
ASSEMBLY NAME: COCKPIT INSTRUMENTS

VALID FOR SERIAL N`S:
20005 AND SUBSEQUENT

POS. NO.:	NAME	PART NO.:	QUANTITY PER ASSEMBLY.:
34	CIRCUIT BREAKER 2A	2-5700-IG9-K10-2A	7-4
35	CIRCUIT BREAKER 25A	N000040	1
36	CIRCUIT BREAKER 50A	W23X1A1G50	1
37	RPM INDICATOR	HK36.163010	1
38	LOW VOLTAGE INDICATOR	33-2013	1
39	PLACKARDS GERMAN	DV20.221791	1
40	PLACKARDS ENGLISH	DV20.221771	1
41	PLACKARDS FRENCH	DV20.221781	1
42	BULB	HK36.161290	2

CHAPTER 52 - Canopy Construction

CANOPY	PAGE
Canopy.....	5210-00-01/1 5210-00-01/2 5210-00-01/3
Canopy-Connection.....	5210-00-02/1 5210-00-02/2



ASSEMBLY NO.: 5210-00-01
ASSEMBLY NAME: CANOPY

VALID FOR SERIAL N'S:
20005 AND SUBSEQUENT

POS. NO.:	NAME	PART NO.:	QUANTITY PER ASSEMBLY.:
1	CANOPY	ON REQUEST	1
2	FRAME	ON REQUEST	1
3	PLEXIGLASS	820-5200-00-00-POS.1	1
4	WINDOW RIGHT (WEISS)	HK36.141190	0-1
5	WINDOW RIGHT (N&M)	HK36.141300	0-1
6	WINDOW LEFT (WEISS)	HK36.141191	0-1
7	WINDOW LEFT (N&M)	HK36.141310	0-1
8	WINDOW BAR (WEISS)	HK36.141886	2
8	WINDOW BAR (N&M)	HK36.141960	2
9	WINDOW BAR (WEISS)	HK36.141888	2
9	WINDOW BAR (N&M)	HK36.141970	2
10	LOCK	HK36.141195	0-2
11	LOCKING LEVER RIGHT	DV2-5220-01-00-RH	1
12	LOCKING LEVER LEFT	DV2-5220-01-00-LH	1
13	COVER RIGHT	820-5220-01-31	1
14	COVER LEFT	820-5220-01-32	1
15	SELF TAPPING SCREW	DIN7981-C3.9X9.5-A2	6
16	GRIP MOUNT	820-5220-01-21	2
17	GRIP	850-10.2	2
18	WASHER	DIN134-A6,4-A2	4
19	BOLT	LN9037-M6X16	4
20	LOCKWASHER	DIN6797-J6.4-ZP	4
21	BLIND RIVET NUT	UM-6-R	2
22	BOLT	DIN933-M6X40-A2	1
23	WASHER	DIN9021-M6-A2	8
24	SELF LOCKING NUT	DIN985-M6-A4	1
25	COMPASS CLAP	820-3900-02-04	1
26	COMPASS	N000039	1
27	BOLT	LN9037-M5X18	6
28	LOCKWASHER	DIN6797-JM5-A2	24
29	WASHER	DIN9021-A5.3-A2	6
30	WASHER	DIN9021-A5.3-A2	6
31	BOLT	ISO4017-M5X16-YZP	6
32	HEXAGON NUT	DIN934-M5-A2	12

DATE OF ISSUE:

JUL. 1, 2010

REV. NO.:

4

PAGE NO.:

D/5210-00-01/1

ASSEMBLY NO.: 5210-00-01
ASSEMBLY NAME: CANOPY

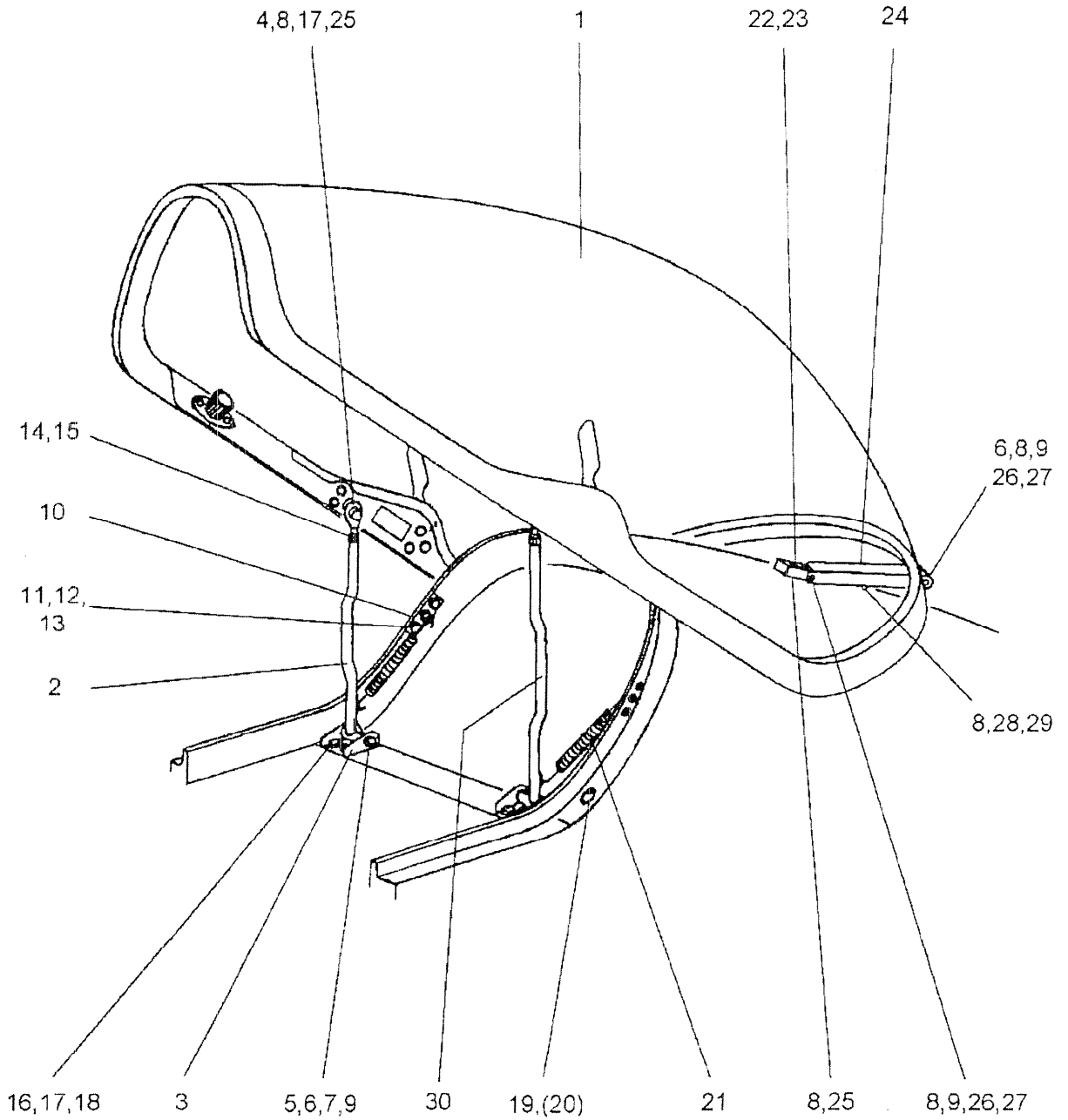
VALID FOR SERIAL N°S:
20005 TO 20095

POS. NO.:	NAME	PART NO.:	QUANTITY PER ASSEMBLY.:
33	BOLT	DIN933-M5X12-YZP	2
34	SELF LOCKING NUT	DIN985-M5-A2	2
35	WASHER	DIN125-AM5-ZP	2
36	NIPPLE	DAI-9071-03-01	4
37	ANGLE JOINT	E75707081	4
38	FORK HEAD	DIN71752-5X10-A2	2
39	SAFETY BOLT	T17643	2
40	EYE END	DA40.110870	2
41	BRACKET CONNECTION	DV2-5220-02-00	2
42	PEDESTAL RIGHT	820-5220-01-16-RH	0-1
43	PEDESTAL LEFT	820-5220-01-16-LH	0-1
44	CASTLE NUT	DIN937-FM6-ZP	2
45	POLYAMIDE WASHER	DIN9021-M6-PA	4
46	FRONT ROD-SHORT	820-5220-01-08-A	2
47	FRONT ROD-LONG	820-5220-01-07	2
48	BACK ROD	820-5220-01-09-A	2
49	LOCKING BOLT	820-5220-01-26-POS.1	4
50	SLEEVE BACK	DV2-5220-00-03	2
51	SLEEVE MID	820-5220-01-10	6
52	BOWDEN CABLE	R_637-119-339	1
53	STRANDED ROPE	R611127400	1
54	SPRING	820-5220-01-12	4
55	HINGE	DV2-5210-03-04	1
56	BOLT	LN9037-06022	2
57	COLLAR BUSH	PAF08095P11	2
58	SEALING PROFILE	5391-29	1
59	COTTER PIN	DIN94-1.6X20-ZP	2
60	SLEEVE FRONT	DV2-5220-00-01	2
61	SELF TAPPING SREW	DIN7982-M2.9X9.5-A2	24

ASSEMBLY NO.: 5210-00-01
 ASSEMBLY NAME: CANOPY

VALID FOR SERIAL N`S:
 20096 AND SUBSEQUENT

POS. NO.:	NAME	PART NO.:	QUANTITY PER ASSEMBLY.:
33	BOLT	DIN933-M5X12-YZP	2
34	SELF LOCKING NUT	DIN985-M5-A2	2
35	WASHER	DIN125-AM5-ZP	2
36	NIPPLE	DAI-9071-03-01	4
37	ANGLE JOINT	E75707081	4
38	FORK HEAD	DIN71752-5X10-A2	2
39	SAFETY BOLT	T17643	2
40	EYE END	DA40.110870	2
41	BRACKET CONNECTION	DV2-5220-02-00	2
42	PEDESTAL RIGHT	820-5220-01-16-RH	0-1
43	PEDESTAL LEFT	820-5220-01-16-LH	0-1
44	CASTLE NUT	DIN937-FM6-ZP	2
45	POLYAMIDE WASHER	DIN9021-M6-PA	4
46	FRONT ROD-SHORT	820-5220-01-08-A	2
47	FRONT ROD-LONG	820-5220-01-07	2
48	BACK ROD	820-5220-01-09-A	2
49	LOCKING BOLT	820-5220-01-26-POS.1	4
50	SLEEVE BACK	DV2-5220-00-03	2
51	SLEEVE MID	820-5220-01-10	6
52	BOWDEN CABLE	R_637-119-339	1
53	STRANDED ROPE	619_101001	1
54	SPRING	820-5220-01-12	4
55	HINGE	DV2-5210-03-04	1
56	BOLT	LN9037-06022	2
57	COLLAR BUSH	PAF08095P11	2
58	SEALING PROFILE	5391-29	1
59	COTTER PIN	DIN94-1.6X20-ZP	2
60	SLEEVE FRONT	DV2-5220-00-01	2
61	SELF TAPPING SREW	DIN7982-M2.9X9.5-A2	24



ASSEMBLY NO.: 5210-00-02
 ASSEMBLY NAME: CANOPY CONNECTION

VALID FOR SERIAL N'S:
 20005 TO 20124

POS. NO.:	NAME	PART NO.:	QUANTITY PER ASSEMBLY.:
1	CANOPY	ON REQUEST	1
2	BRACKET RH	DV2-5210-02-01-RH	1
3	PEDESTAL	DV2-5210-02-02	2
4	ROD END BEARING	DAI-9027-00-01	2
5	SPACER TUBE	820-5220-01-25	2
6	COLLAR BUSH	PAF08095P11	6
7	BOLT	LN9037-06062	2
8	WASHER	DIN134-A6,4-A2	7
9	SELF LOCKING NUT	DIN985-M6-A2	4
10	SPRING MOUNTING PLATE	820-5220-01-22	2
11	BOLT	DIN963-M5X20-ZP	6
12	CAP NUT	DIN1587-M5-A2	6
13	WASHER	DIN125-A5.3-A2	6
14	HEXAGON NUT	DIN934-M8-A2	2
15	LOCKWASHER	DIN6797-J8.2-A2	2
16	BOLT	LN9037-06014	8
17	LOCKWASHER	DIN6797-J6.4-ZP	8
18	BLIND RIVET NUT	UM-6-R	8
19	SLEEVE FRONT	DV2-5220-00-02	1
20	SLEEVE BACK	DV2-5220-00-02	1
21	SPRING	N000019	2
22	ALU-BLOCK	820-5220-01-04	1
23	CYLINDER BOLT	DIN912-M6X25-YZP	3
24	BRACKET	DV2-5210-03-01	1
25	CAP NUT	DIN1587-M6-A2	5
26	SPACER TUBE	DV2-5210-03-03	2
27	BOLT	LN9037-06050	2
28	STOP	1220102003_	1
29	SELF LOCKING NUT	DIN985-M6-A2	1
30	BRACKET LH	DV2-5210-02-01-LH	1

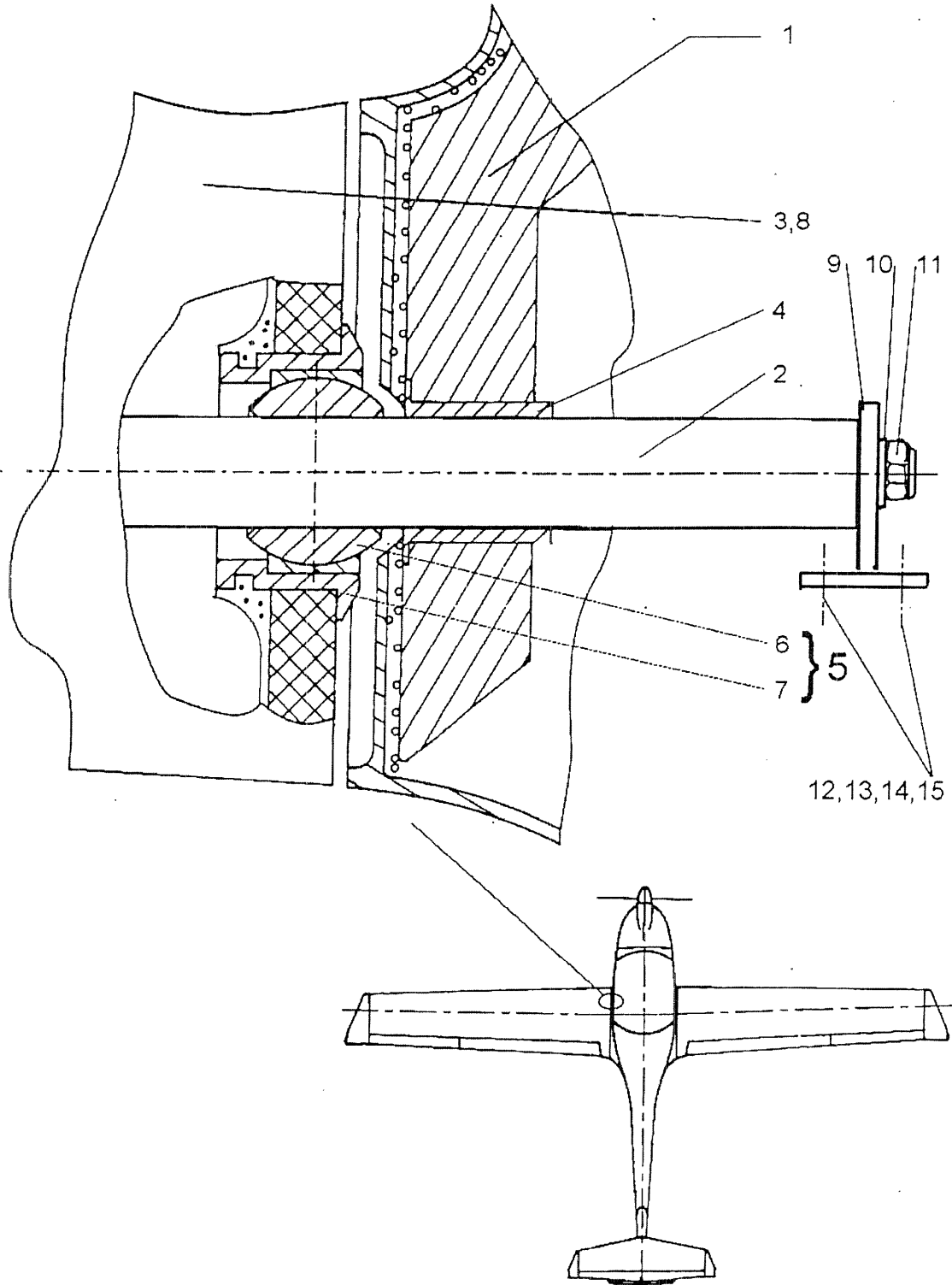
ASSEMBLY NO.: 5210-00-02
 ASSEMBLY NAME: CANOPY CONNECTION

VALID FOR SERIAL N'S:
 20125 AND SUBSEQUENT

PCS.. NO. :	NAME	PART NO.:	QUANTITY PER ASSEMBLY. :
1	CANOPY	ON REQUEST	1
2	BRACKET RH	DV2-5210-02-01-RH	1
3	PEDESTAL	DV2-5210-02-02	2
4	ROD END BEARING	DAI-9027-00-01	2
5	SPACER TUBE	820-5220-01-25	2
6	COLLAR BUSH	PAF08095P11	6
7	BOLT	LN9037-06062	2
8	WASHER	DIN134-A6.4-A2	7
9	SELF LOCKING NUT	DIN985-M6-A2	4
10	SPRING MOUNTING PLATE	820-5220-01-22	2
11	BOLT	DIN963-M5X20-ZP	6
12	CAP NUT	DIN1587-M5-A2	6
13	WASHER	DIN125-A5.3-A2	6
14	HEXAGON NUT	DIN934-M8-A2	2
15	LOCKWASHER	DIN6797-J8.2-A2	2
16	BOLT	LN9037-06014	8
17	LOCKWASHER	DIN6797-J6.4-ZP	8
18	BLIND RIVET NUT	UM-6-R	8
19	SLEEVE FRONT	DV2-5220-00-02	1
20	SLEEVE BACK	DV2-5220-00-02	1
21	SPRING	N000019	2
22	ALU-BLOCK	820-5220-01-01	1
23	CYLINDER BOLT	DIN912-M6X25-YZP	3
24	BRACKET	DV2-5210-03-01	1
25	CAP NUT	DIN1587-M6-A2	5
26	SPACER TUBE	DV2-5210-03-03	2
27	BOLT	LN9037-06050	2
28	STOP	1220102003_	1
29	SELF LOCKING NUT	DIN985-M6-A2	1
30	BRACKET LH	DV2-5210-02-01-LH	1

CHAPTER 53 - Fuselage

CONNECTION OF FUSELAGE AND WINGS	PAGE
Connection of Fuselage and Wing with "A-Bolt".....	5334-01-01/1
Connection of Fuselage and Wing with "B-Bolt".....	5334-01-02/1
Connection of Fuselage and Wing with Main Bolt.....	5334-01-03/1
 CONNECTION OF FUSELAGE AND WINGS - OPTIONAL	
Connection of Fuselage and Wing with Teleskopi Rod....	5334-02-01/1
 FUSELAGE	
Fuselage Pre-Assembled.....	5360-00-01/1 5360-00-01/2
 CONNECTION OF FUSELAGE AND HORIZONTAL STABILIZER	
Connection of Fuselage and Horizontal Stabilizer.....	5384-00-01/1 5384-00-01/2
Rudder Fin Fairing.....	5384-00-02/1



ASSEMBLY NO.: 5334-01-01

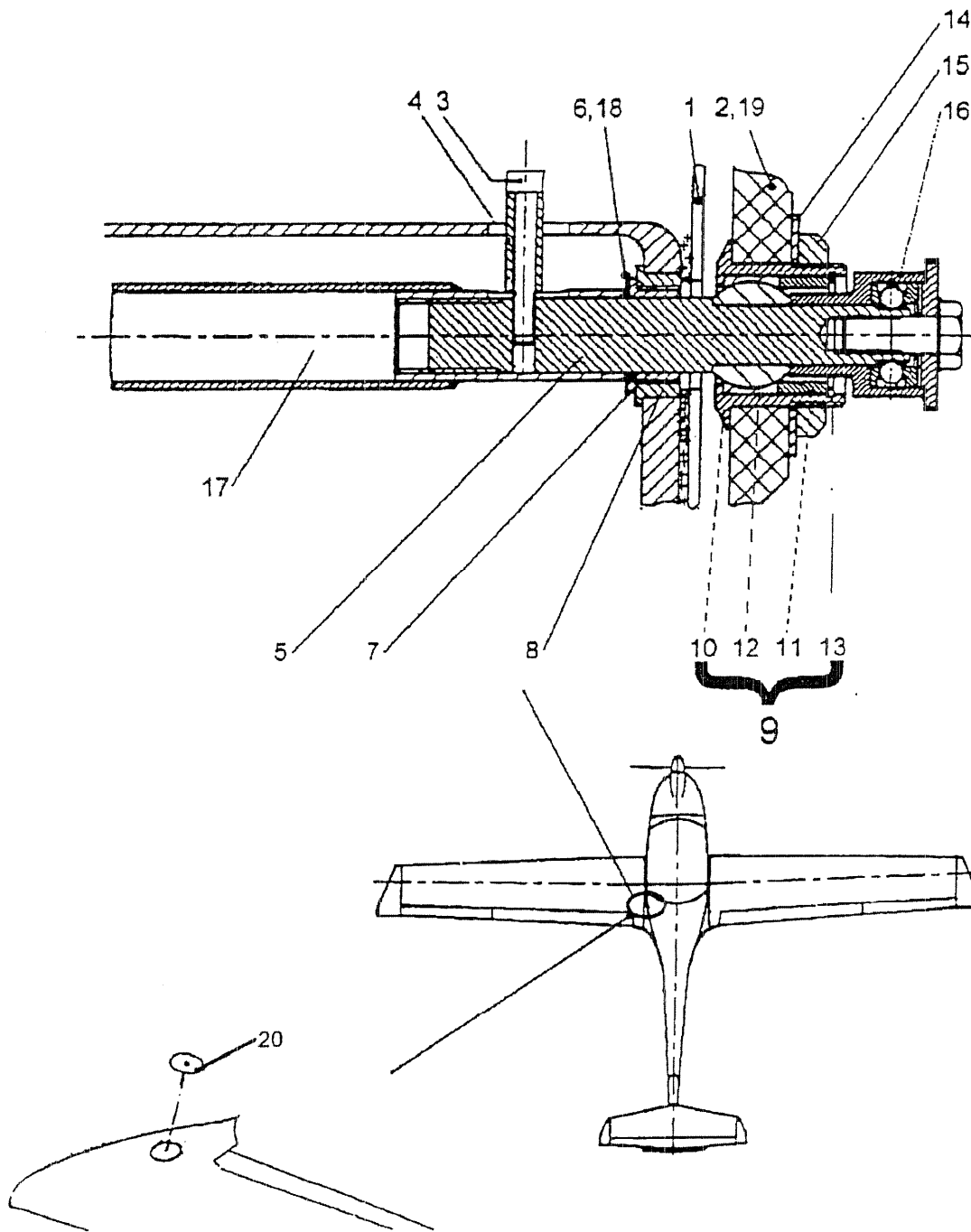
VALID FOR SERIAL N`S:

ASSEMBLY NAME: CONNECTION OF FUSELAGE AND
WING WITH "A-BOLT"

20005 AND SUBSEQUENT

POS. NO.:	NAME	PART NO.:	QUANTITY PER ASSEMBLY:
1	FUSELAGE	DV2-5360-01-01	1
2	"A"-BOLT	DV2-5334-00-05	1
3	WING LH	ON REQUEST	1
4	COLLAR BUSH	DV2-5334-00-06	1
5	"A"-BOLT BUSH COMPLETE	DV2-5334-00-00-.3+4	1
6	SPHERICAL PLAIN BEARING	SCP30_IH	1
7	COLLAR BUSH	DV2-5334-00-11	1
8	WING RH	ON REQUEST	1
9	"A"-BOLT MOUNT	820-5361-01-03-2	1
10	WASHER	DIN125-BM10-ZP	1
11	SELF LOCKING NUT	DIN985-M10-A2	1
12	SELF LOCKING NUT	DIN985-M6-A2	8
13	WASHER	DIN125-6.2-A2	8
14	WASHER	DIN9021-M6-A2	8
15	BOLT*	LN9037-M8X32	8

* WHEN ORDERING THIS PART PLEASE SPECIFY THE EXACT BOLT LENGTH

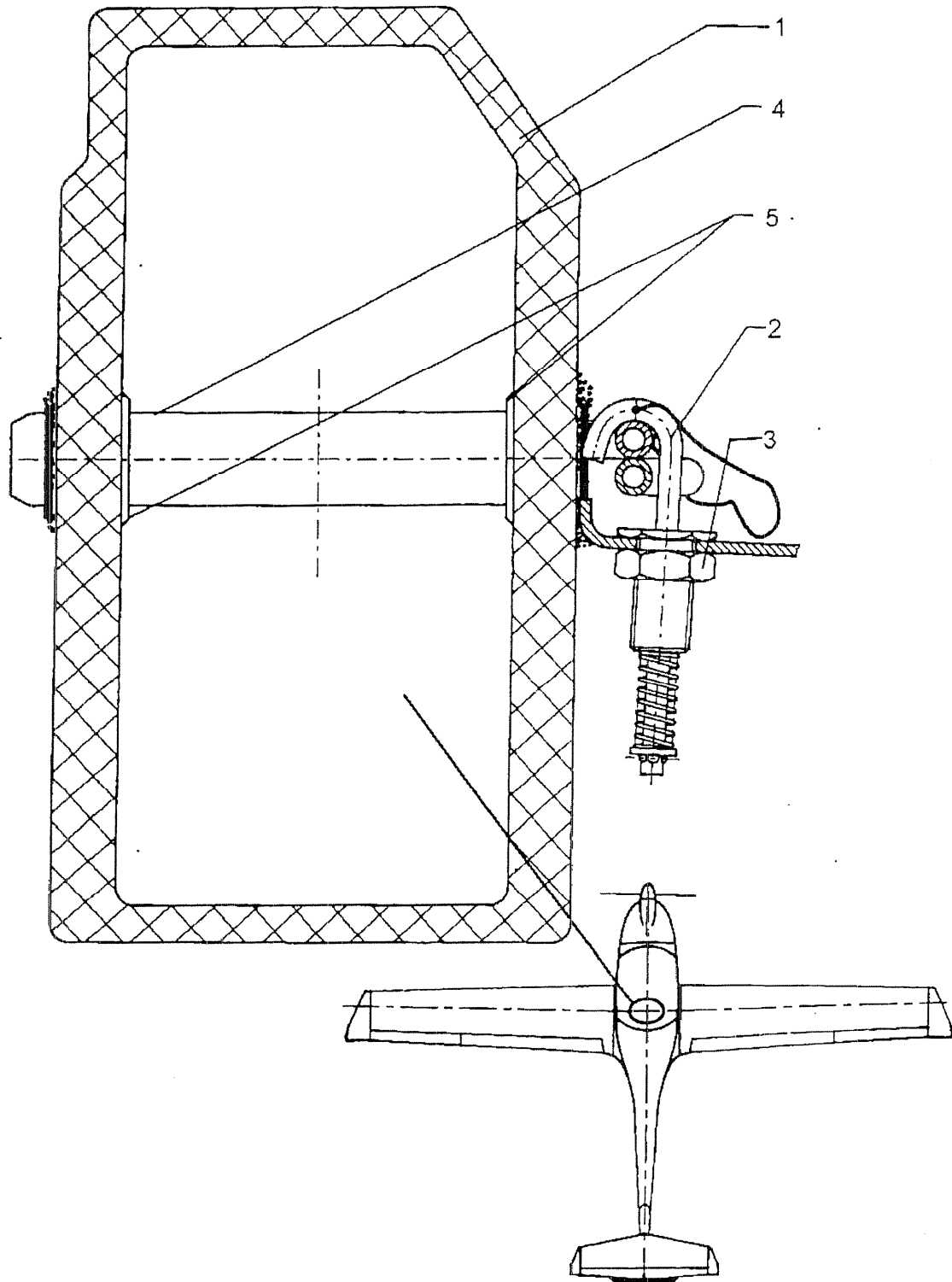


ASSEMBLY NO.: 5334-01-02
 ASSEMBLY NAME: CONNECTION OF FUSELAGE AND WING WITH "B-BOLT"

VALID FOR SERIAL N°S:
 20005 AND SUBSEQUENT

POS. NO.:	NAME	PART NO.:	QUANTITY PER ASSEMBLY:
1	FUSELAGE	DV2-5360-01-01	1
2	WING LH	ON REQUEST	1
3	BOLT	DIN912-M6X40-YZP	1
4	TUBE	DV2-5334-03-04	1
5	"B"-BOLT	DV2-5334-00-08	1
6	SHIM 0,3MM*	DIN988-20X28X0.3	0 TO 5
7	COLLAR BUSH	DV2-5334-03-02	1
8	COLLAR BUSH	DV2-5334-03-01	1
9	"B"-BOLT BUSH COMPLETE	DV2-5334-04-00	1
10	COLLAR BUSH	DV2-5334-04-02	1
11	TUBE	DV2-5334-04-03	1
12	SPHERICAL PLAIN BEARING	SCP_16_IH	1
13	SEEGERRING	DIN472-JS32X1.5	1
14	WASHER	820-5700-03-04	1
15	NUT	DIN1804-M38X1.5-ZP	1
16	LOCKING ELEMENT	DV2-5334-04-01	1
17	TUBE COMPLETE	DV2-5334-03-00-POS4	1
18	SHIM 0,1MM*	DIN988-25X36X0.1	0 TO 2
19	WING RH	ON REQUEST	1
20	B-BOLT COVER	HK36.132720	1

* AS REQUIRED



ASSEMBLY NO.: 5334-01-03

VALID FOR SERIAL N`S:

ASSEMBLY NAME: CONNECTION OF FUSELAGE AND
WING WITH MAIN BOLT

20005 AND SUBSEQUENT

POS. NO.:	NAME	PART NO.:	QUANTITY PER ASSEMBLY:
1	MAIN BULK	820-5361-03-00	1
2	LOCKING ELEMENT	DV2-5334-05-01	1
3	HEXAGON NUT	DIN439-BM16-A2	1
4	MAIN-BOLT	DV2-5334-00-09	2
5	COLLAR BUSH	DV2-5334-00-10	4

DATE OF ISSUE:

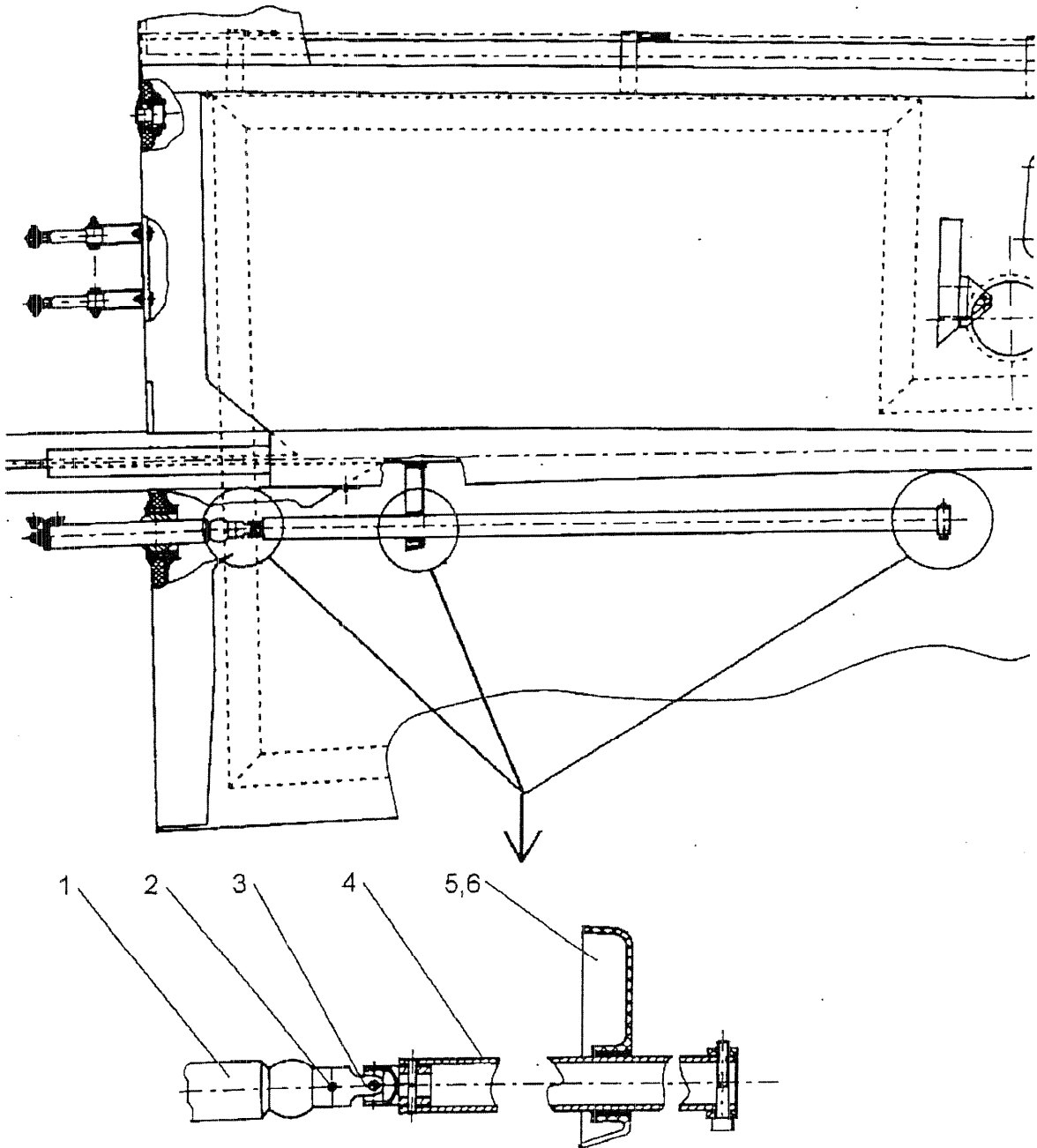
JUL. 1, 2010

REV. NO.:

4

PAGE NO.:

D/5334-01-03/1

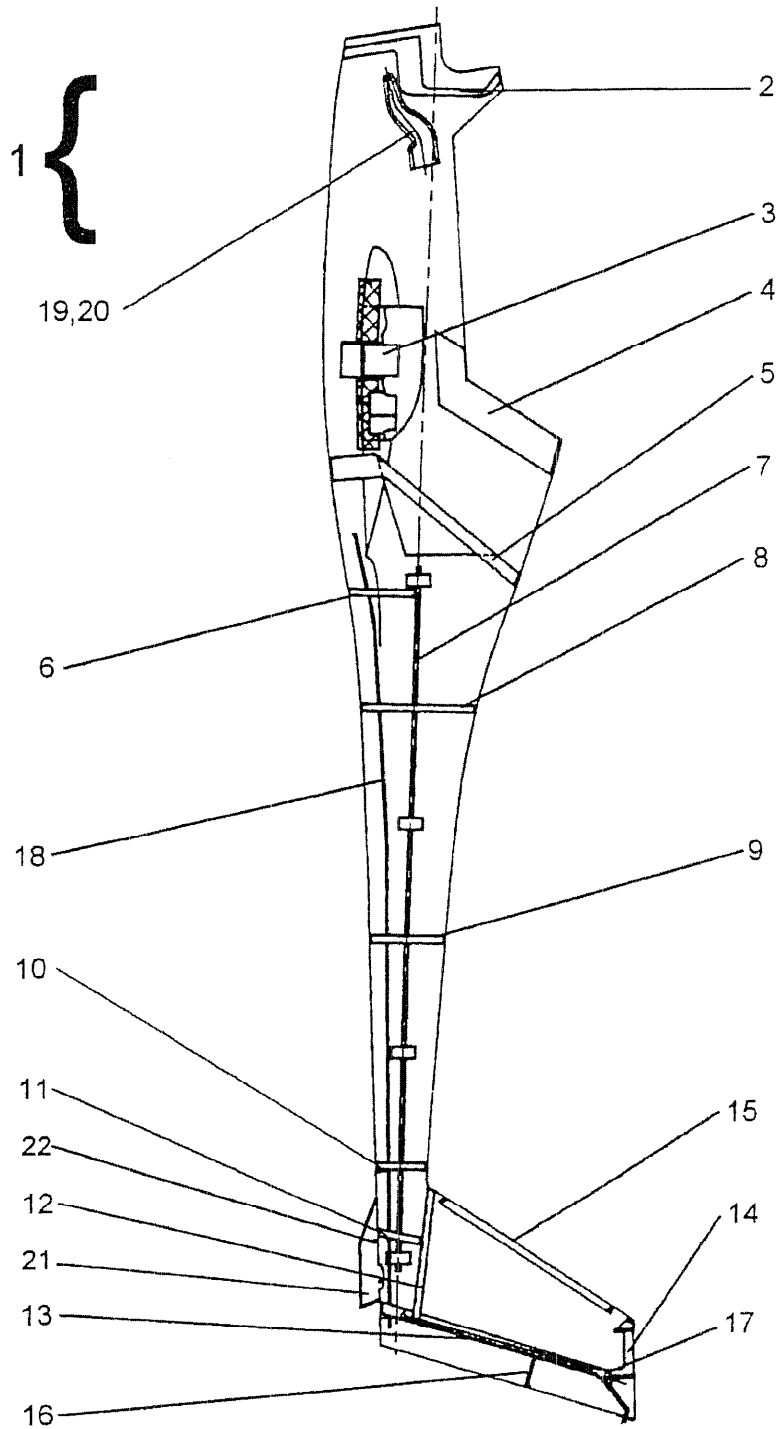


ASSEMBLY NO.: 5334-02-01

VALID FOR SERIAL N`S:

ASSEMBLY NAME: CONNECTION OF FUSELAGE AND
WING WITH TELESCOPI ROD20005 AND SUBSEQUENT
OPTIONAL

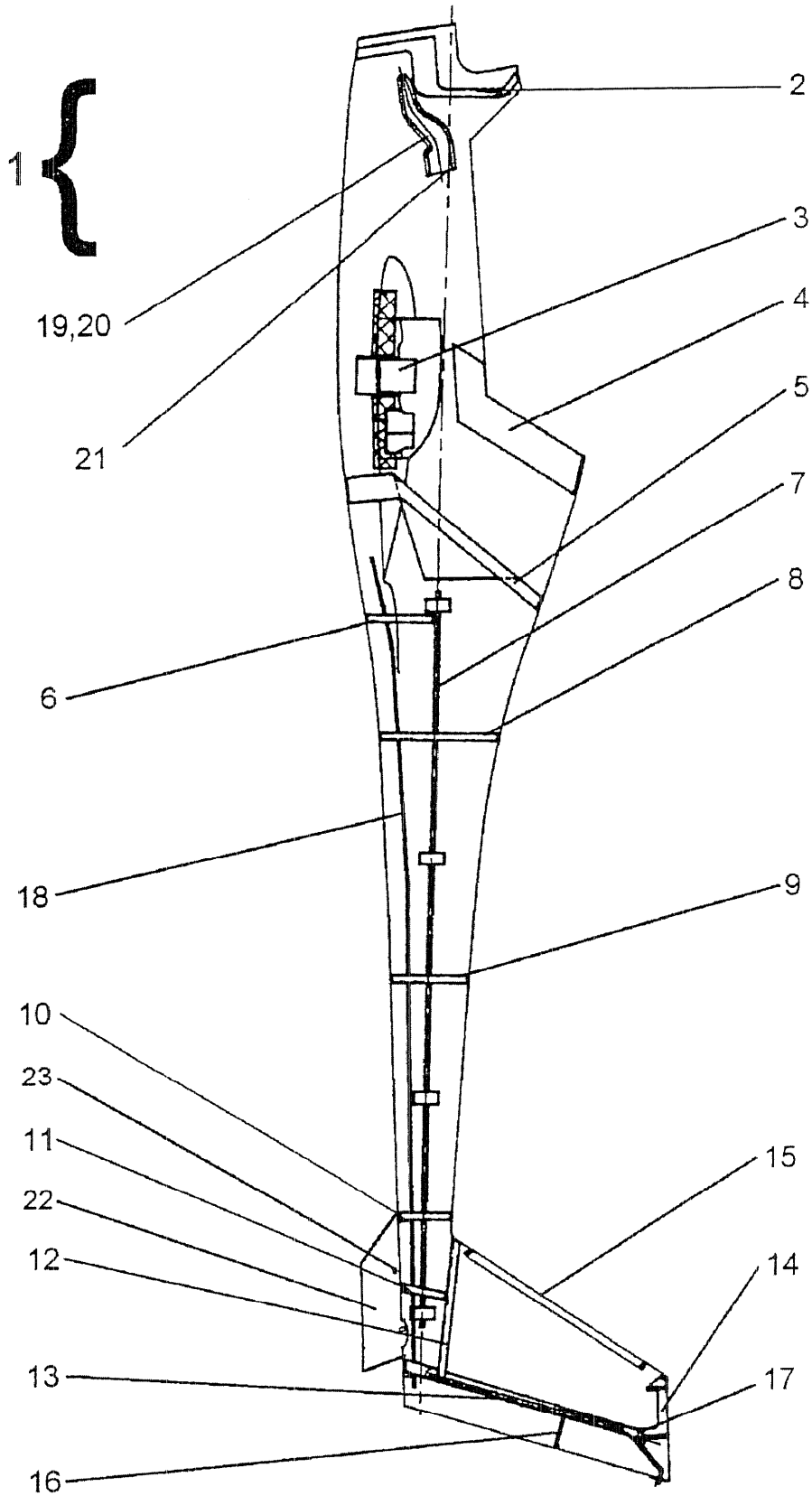
POS. NO.:	NAME	PART NO.:	QUANTITY PER ASSEMBLY:
1	"A"-BOLT-OPTIONAL	DV2-5334-00-04	1
2	TOWEL PIN	DIN1481-4X20-ZP	1
3	CARDAN JOINT	T_17683	1
4	TELESCOPI ROD COMPLETE	820-1000-01-01	1
5	RIB LH	DV2-5334-00-02LHNPC	1
6	RIB RH	DV2-5334-00-02RHNPC	1



ASSEMBLY NO.: 5360-00-01
 ASSEMBLY NAME: FUSELAGE

VALID FOR SERIAL N°S:
 20005 TO 20090

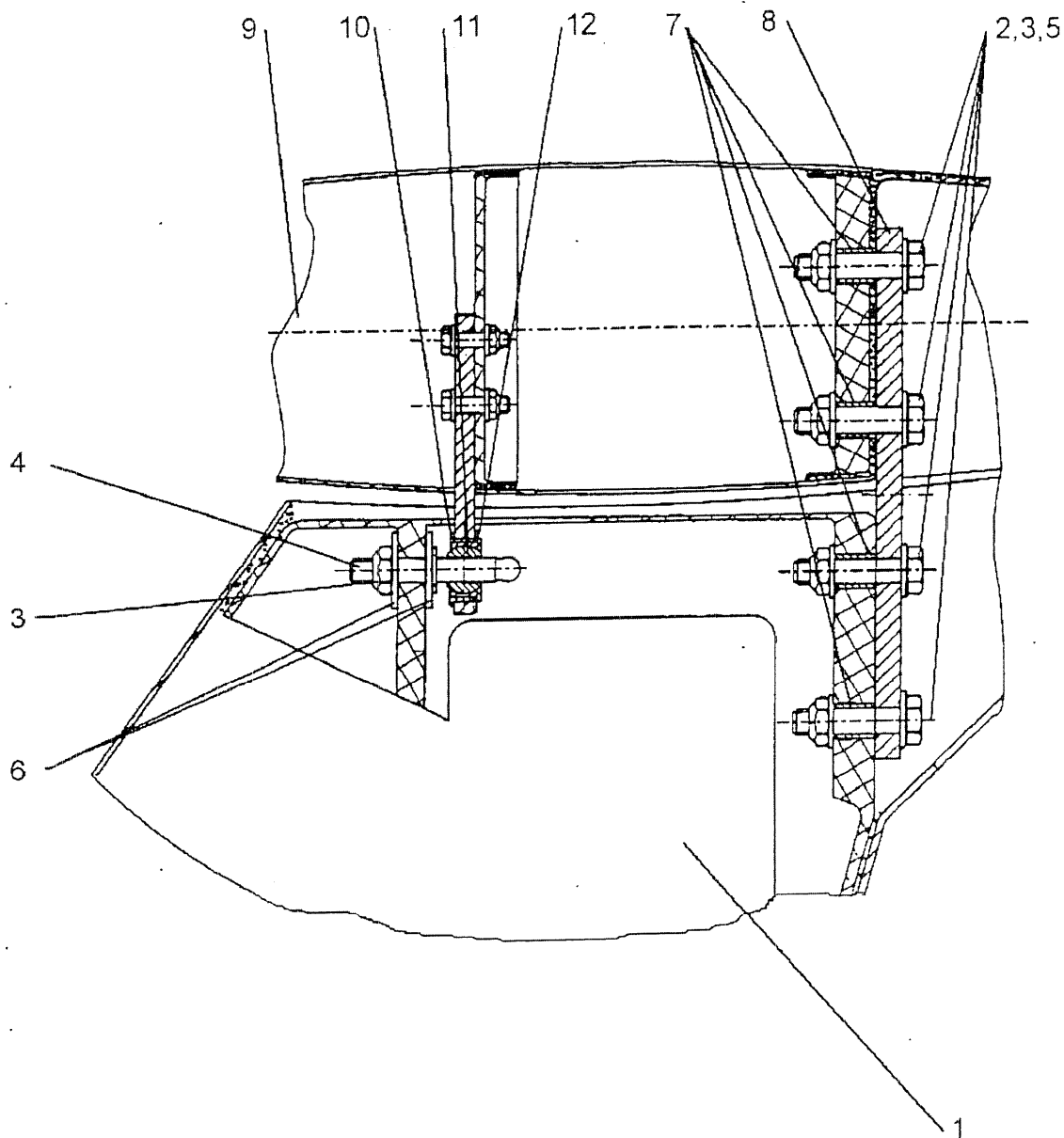
POS. NO.:	NAME	PART NO.:	QUANTITY PER FUSELAGE:
1	FUSELAGE	DV2-5360-01-01	1
2	FIREWALL	TC1-5312-21-00	1
3	MAIN BULKHEAD	820-5361-03-00	1
4	ROLL BAR	DV20.135380-N_P	1
5	BULKHEAD	820-5300-01-04N_P	1
6	HALF-BULKHEAD	TC1-5312-22-00	1
7	TUBE	EVILON-13.5	2
8	RINGFRAME 1	DV2-5363-00-04-NPC	1
9	RINGFRAME 2	DV2-5363-00-05-NPC	1
10	RINGFRAME 3	DV2-5363-00-06-NPC	1
11	FRAME	DV2-5363-00-08-NPC	1
12	RUDDER FIN STIFFENER	DV2-5363-00-10	1
13	RUDDER FIN WEB	820-5300-01-09-NPC	1
14	RUDDER FIN FRAME	820-5300-01-08-NPC	1
15	ANTENNA	SP100	1
16	RIB	TC1-5310-40-00-NPC	1
17	TUBE	EVILON-13.5	1
18	HOSE	157727	2
19	VENT CHANNEL LH	ON REQUEST	1
20	VENT CHANNEL RH	ON REQUEST	1
21	FUSELAGE-FIN	DV2-5361-00-17	1
22	BOLT FOR FIN	ISO7380-M5X25-A2	5



ASSEMBLY NO.: 5360-00-01
 ASSEMBLY NAME: FUSELAGE

VALID FOR SERIAL N'S:
 20091 AND SUBSEQUENT

POS. NO.:	NAME	PART NO.:	QUANTITY PER FUSELAGE:
1	FUSELAGE	DV2-5360-01-01	1
2	FIREWALL	TC1-5312-21-00	1
3	MAIN BULKHEAD	820-5361-03-00	1
4	ROLL BAR	DV20.135380-N_P	1
5	BULKHEAD	820-5300-01-04N_P	1
6	HALF-BULKHEAD	TC1-5312-22-00	1
7	TUBE	EVILON-13.5	2
8	RINGFRAME 1	DV2-5363-00-04-NPC	1
9	RINGFRAME 2	DV2-5363-00-05-NPC	1
10	RINGFRAME 3	DV2-5363-00-06-NPC	1
11	FRAME	DV2-5363-00-08-NPC	1
12	RUDDER FIN STIFFENER	DV2-5363-00-10	1
13	RUDDER FIN WEB	820-5300-01-09-NPC	1
14	RUDDER FIN FRAME	820-5300-01-08-NPC	1
15	ANTENNA	SP100	1
16	RIB	TC1-5310-40-00-NPC	1
17	TUBE	EVILON-13.5	1
18	HOSE	157727	2
19	VENT CHANNEL LH	DV2-5361-00-11LHNPC	1
20	VENT CHANNEL RH	DV2-5361-00-11RHNPC	1
21	AIR FLAP	1660075	1
22	FUSELAGE-FIN	DV20.135045	1
23	BOLT FOR FIN	ISO7380-M5X25-A2	5



ASSEMBLY NO.: 5384-00-01

VALID FOR SERIAL N`S:

ASSEMBLY NAME: CONNECTION OF FUSELAGE AND
HORIZONTAL STABILIZER

20005 TO 20053

POS. NO.:	NAME	PART NO.:	QUANTITY PER ASSEMBLY:
1	FUSELAGE	DV2-5360-01-01	1
2	BOLT	LN9037-M10X45	8
3	SELF LOCKING NUT	DIN985-M10-A2	8
4	BOLT	DV2-5384-00-05	1
5	WASHER	DIN125-BM10-ZP	16
6	WASHER	DIN9021-B10.5-ZP	2
7	BUSH	DV2-5384-00-02	8
8	STABILIZER FITTING	DV2-5384-00-01	1
9	ELEVATOR FIN	820-5500-01-00	1
10	COLLAR BUSH	DV2-5384-01-02	1
11	SPHERICAL PLAIN BEARING	SCP_10	1
12	SEEGERRING	DIN471-25X1.2	1

DATE OF ISSUE:

JUL. 1, 2010

REV. NO.:

4

PAGE NO.:

D/5384-00-01/1

ASSEMBLY NO.: 5384-00-01

VALID FOR SERIAL N`S:

ASSEMBLY NAME: CONNECTION OF FUSELAGE AND
HORIZONTAL STABILIZER

20054 AND SUBSEQUENT

POS. NO.:	NAME	PART NO.:	QUANTITY PER ASSEMBLY:
1	FUSELAGE	DV2-5360-01-01	1
2	BOLT	DIN931-M10X55-YZP	8
3	SELF LOCKING NUT	DIN985-M10-A2	8
4	BOLT	DV2-5384-00-05	1
5	WASHER	DIN125-BM10-ZP	16
6	WASHER	DIN9021-B10.5-ZP	2
7	BUSH	DV2-5384-00-02	8
8	STABILIZER FITTING	DV2-5384-00-01	1
9	ELEVATOR FIN	820-5500-01-00	1
10	COLLAR BUSH	DV2-5384-01-02	1
11	SPHERICAL PLAIN BEARING	SCP_10	1
12	SEEGERRING	DIN471-25X1.2	1

DATE OF ISSUE:

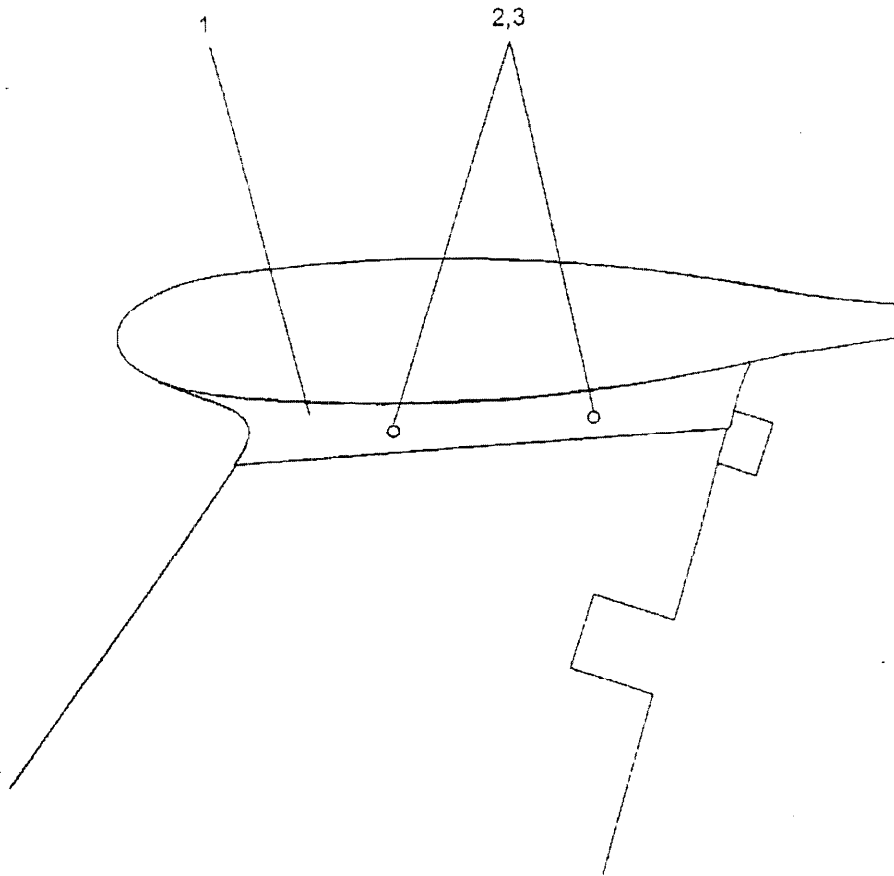
JUL. 1, 2010

REV. NO.:

4

PAGE NO.:

D/5384-00-01/2



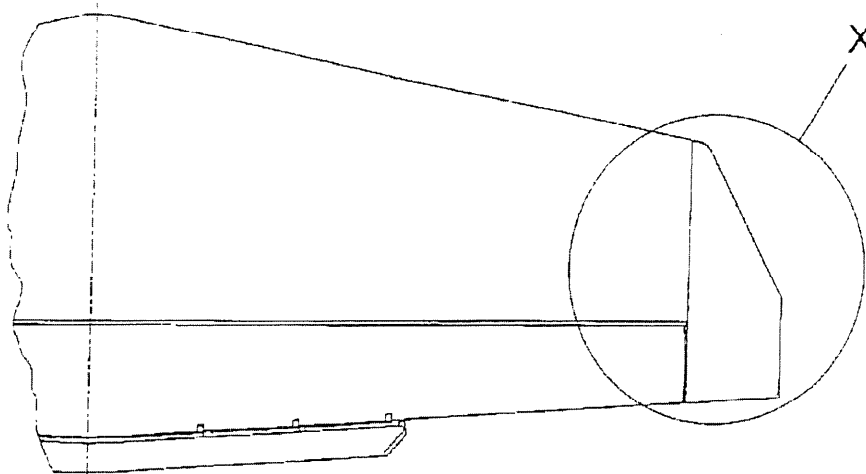
ASSEMBLY NO.: 5384-00-02
ASSEMBLY NAME: RUDDER FIN-FAIRING

VALID FOR SERIAL N`S:
20005 AND SUBSEQUENT

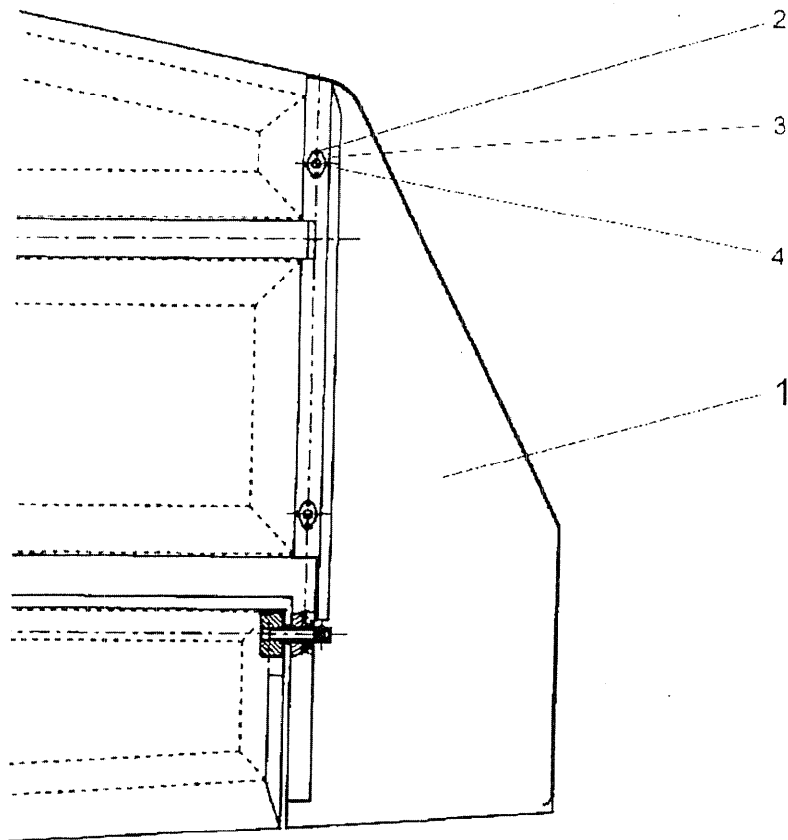
POS. NO.:	NAME	PART NO.:	QUANTITY PER ASSEMBLY:
1	RUDDER FIN FAIRING	<u>DV2-5384-00-06</u>	1
2	BLIND RIVET NUT	BN90304-M5R	4
3	BOLT	<u>ISO7380-M5X16-A2</u>	4

CHAPTER 55 - Stabilizer

HORIZONTAL-STABILIZER-TIP	PAGE
Horizontal-Stabilizer-Tip.....	5510-00-01/1



DETAIL X



ASSEMBLY NO.: 5510-00-01

VALID FOR SERIAL N`S:

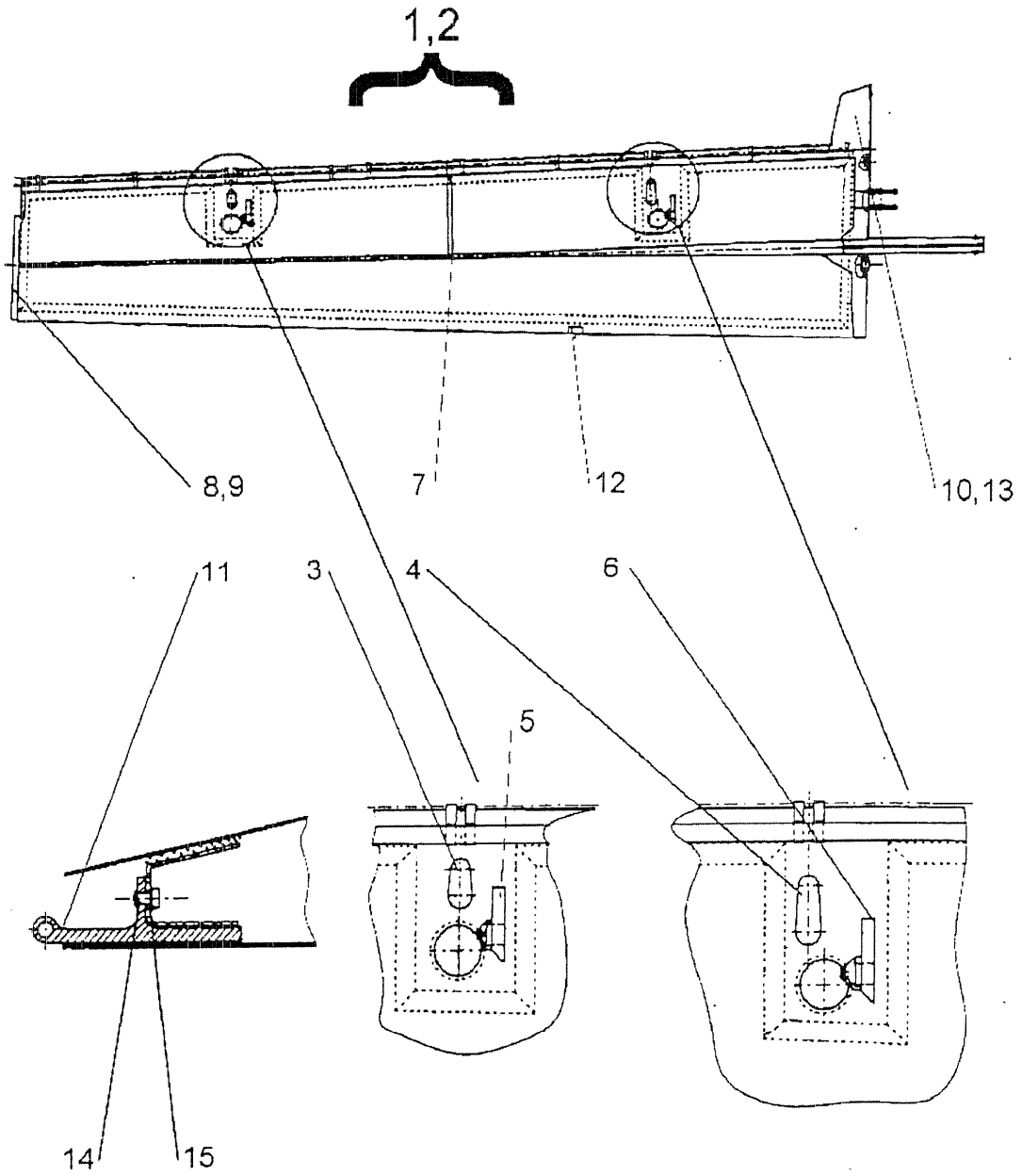
ASSEMBLY NAME: HORIZONTAL-STABILIZER-TIP

20005 AND SUBSEQUENT

POS. NO.:	NAME	PART NO.:	QUANTITY PER ASSEMBLY:
1a	HORIZONTAL-STABILIZER-TIP LH	DV2-5510-04-00-LH	1
1b	HORIZONTAL-STABILIZER-TIP RH	DV2-5510-04-00-RH	4
2	RIVET NUT-SELF LOCKING	LN29671-AM5	8
3	COUNTER SUNK RIVET	DIN7337-B3.2X11	4
4	BOLT	ISO7380-M5X16-A2	

CHAPTER 57 - Wings

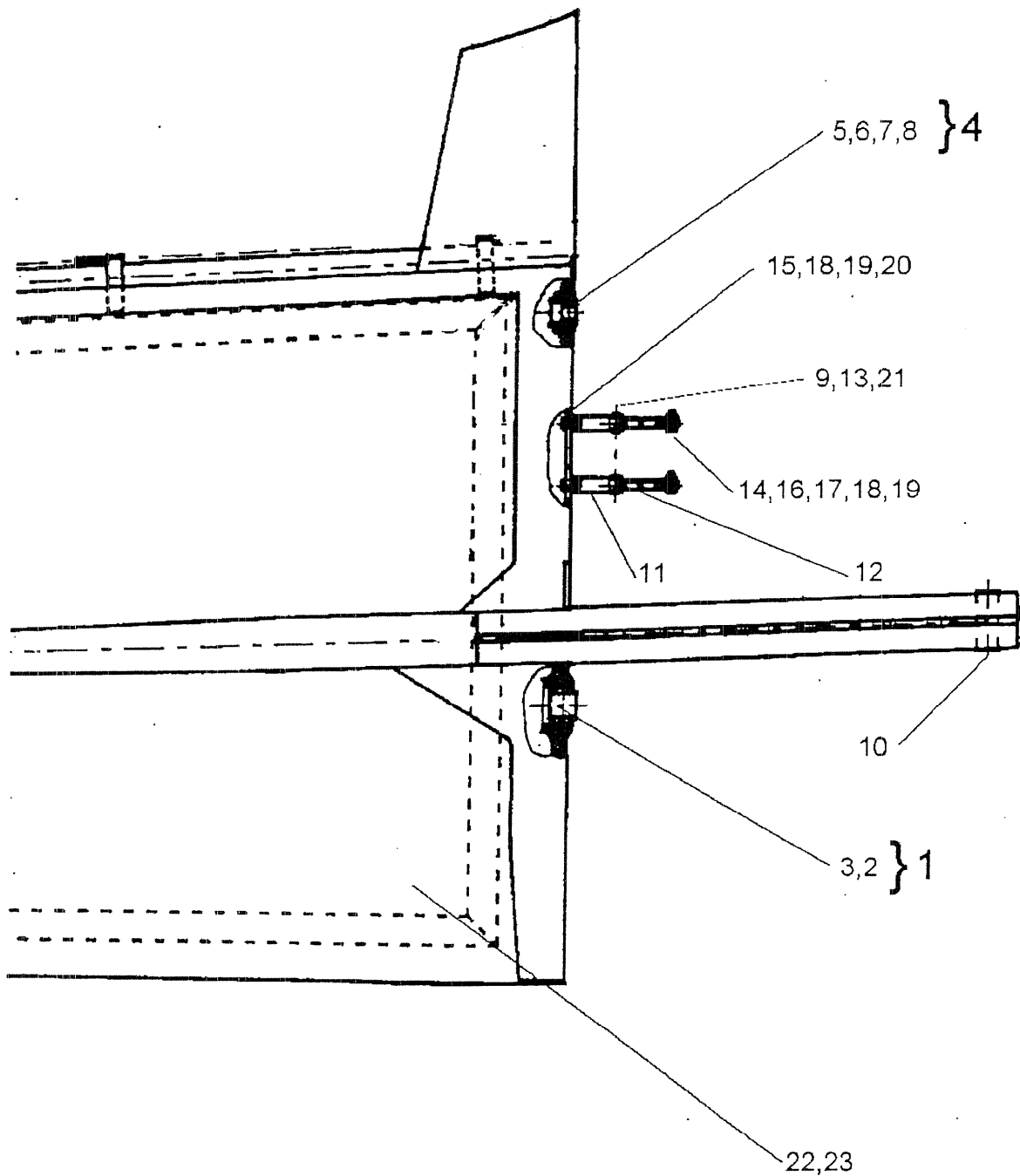
WINGS	PAGE
Wing.....	5700-00-01/1
Wing Mounts.....	5700-00-02/1
 WINGTIPS	
Wingtips.....	5730-00-01/1



ASSEMBLY NO.: 5700-00-01
 ASSEMBLY NAME: WING

VALID FOR SERIAL N`S:
 20005 AND SUBSEQUENT

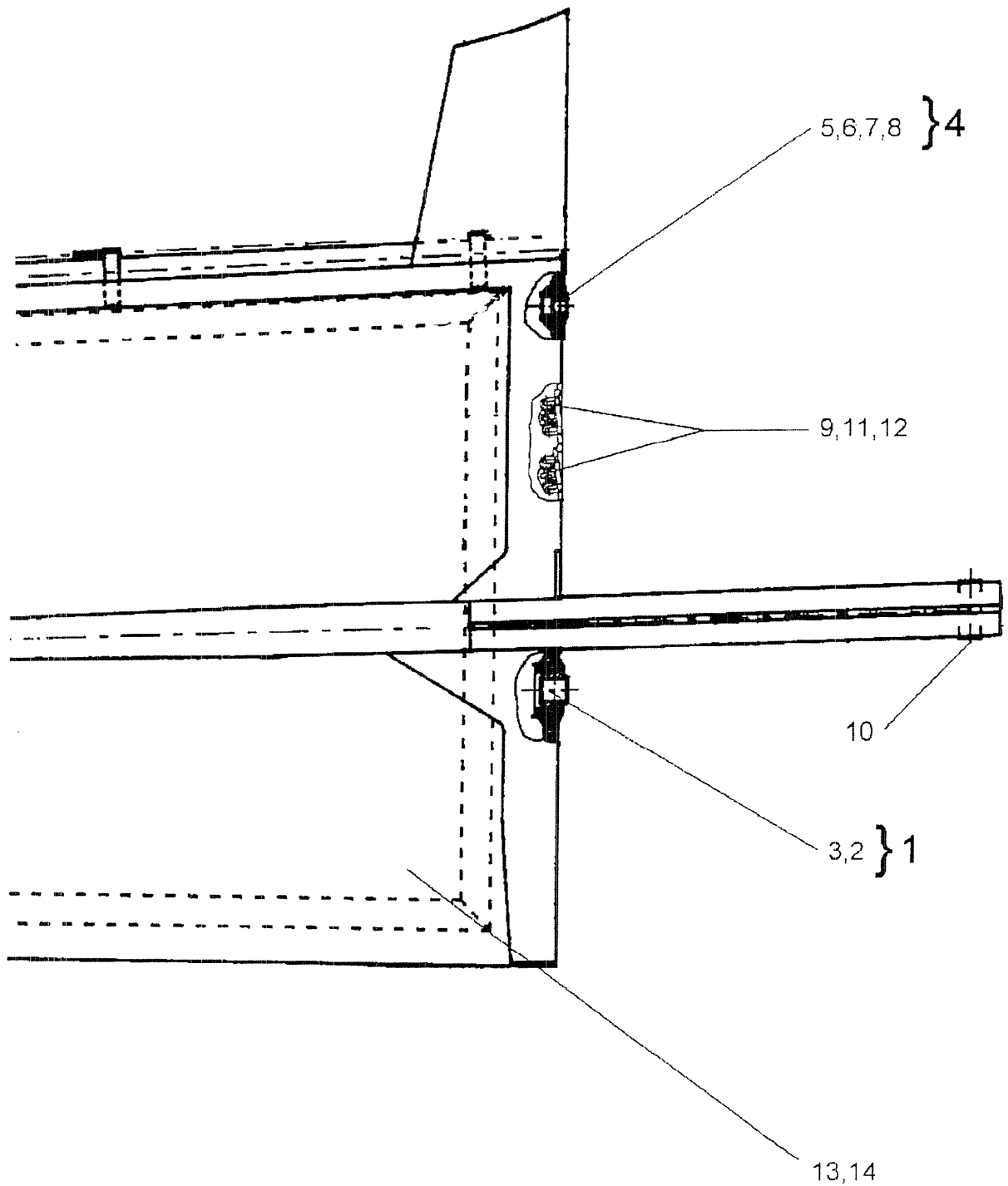
POS. NO.:	NAME	PART NO.:	QUANTITY PER ASSEMBLY:
1	RH WING	ON REQUEST	1
2	LH WING	ON REQUEST	1
3	FAIRING	D20-5711-28-00	1
4	FAIRING	D20-5711-27-00	1
5	RIB	D20-5711-46-00	1
6	RIB	D20-5711-47-00	1
7a	RIB LH	D20-5711-45-00	1
7b	RIB RH	D20-5712-45-00	1
8	RH RIB	D20-5712-50-00	1
9	LH RIB	D20-5711-20-00	1
10	STOP LH	D20-5711-26-00	12
11	HINGE	D20-5711-03-60	1
12	FAIRING FOR STALL WARNING	D20-5711-28-00	1
13	STOP RH	D20-5712-26-00	12
14	RIVET	DIN7337-A4.0X10.3	12
15	WASHER	DIN125-AM4-ZP	



ASSEMBLY NO.: 5700-00-02
 ASSEMBLY NAME: WING MOUNTS

VALID FOR SERIAL N`S:
 20005 AND SUBSEQUENT
 WITH FOLDING
 WING MECHANISM

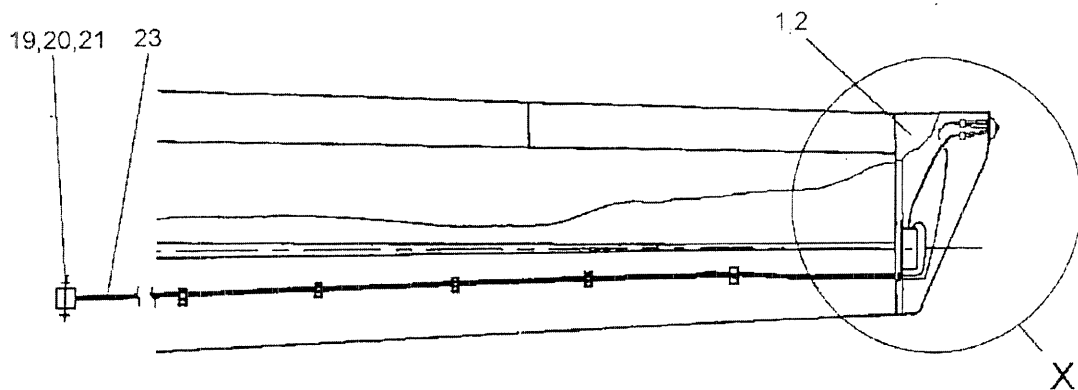
POS. NO.:	NAME	PART NO.:	QUANTITY PER ASSEMBLY:
1	"A"-BOLT BUSH COMPLETE	DV2-5334-00-00-.3+4	1
2	SPHERICAL PLAIN BEARING	SCP30_IH	1
3	COLLAR BUSH	DV2-5334-00-11	1
4	"B"-BOLT BUSH COMPLETE	DV2-5334-04-00	1
5	COLLAR BUSH	DV2-5334-04-02	1
6	TUBE	DV2-5334-04-03	1
7	SPHERICAL PLAIN BEARING	SCP_16_IH	1
8	SEEGERRING	DIN472-JS32X1.5	1
9	RIVETING JOURNAL	N000014	2
10	BUSH	DV2-5334-00-13	1
11	PEDESTAL	DV2-2710-00-04	1
12	BELLCRANK	DV2-2710-00-01	2
13	SPACER TUBE	BU1-08-06-0179-C1	2
14	BOLT	LN9037-06022	2
15	WASHER	DIN9021-M6-A2	4
16	ROLLER	DV2-2750-00-09	2
17	SLEEVE	BU1-08-06-0089-C1	2
18	SELF LOCKING NUT	DIN985-M6-A2	6
19	WASHER	DIN125-6.2-A2	6
20	BOLT	LN9037-M6X12	4
21	COLLAR BUSH	PAF40260P11	4
22	RH WING	ON REQUEST	1
23	LH WING	ON REQUEST	1



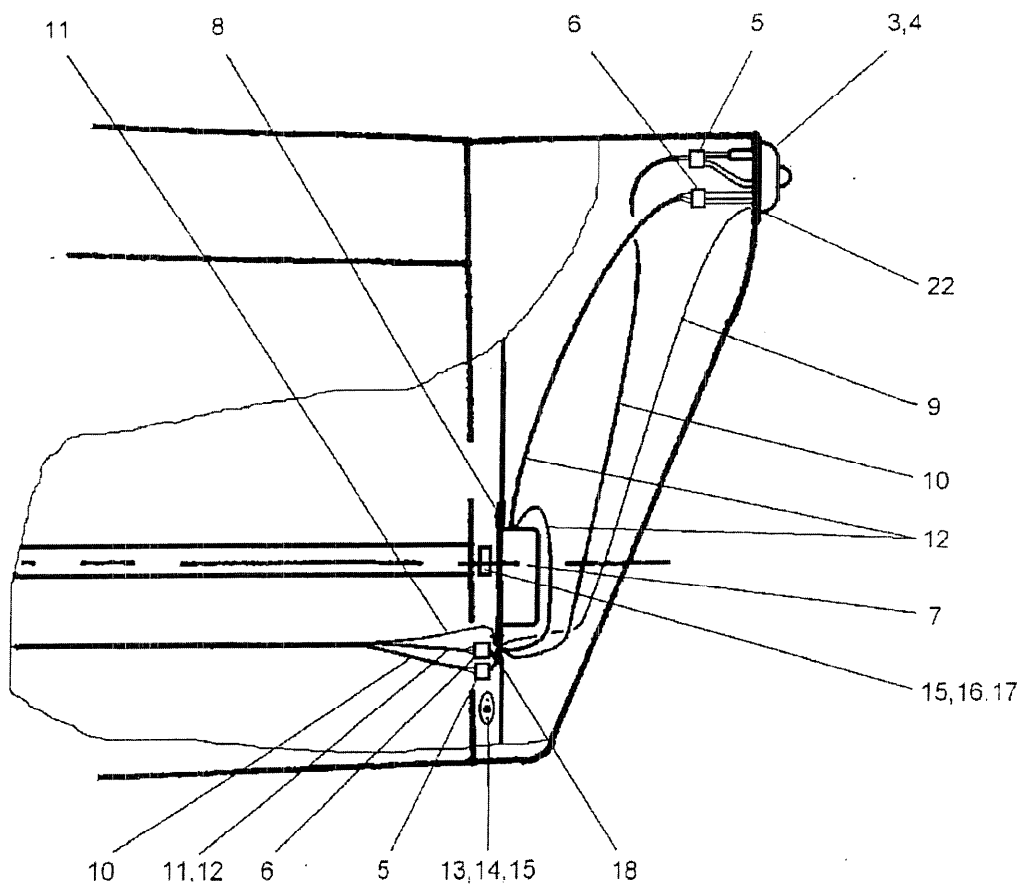
ASSEMBLY NO.: 5700-00-02
 ASSEMBLY NAME: WING MOUNTS

VALID FOR SERIAL N`S:
 20096 AND SUBSEQUENT
 WITHOUT FOLDING
 WING MECHANISM

POS. NO.:	NAME	PART NO.:	QUANTITY PER ASSEMBLY:
1	"A"-BOLT BUSH COMPLETE	DV2-5334-00-00-.3+4	1
2	SPHERICAL PLAIN BEARING	SCP30_IH	1
3	COLLAR BUSH	DV2-5334-00-11	1
4	"B"-BOLT BUSH COMPLETE	DV2-5334-04-00	1
5	COLLAR BUSH	DV2-5334-04-02	1
6	TUBE	DV2-5334-04-03	1
7	SPHERICAL PLAIN BEARING	SCP_16_IH	1
8	SEEGERRING	DIN472-JS32X1.5	1
9	PUSH ROD GUIDE	RG1	2
10	BUSH	DV2-5334-00-13	1
11	WASHER	DIN125-AM4-ZP	6
12	RIVET	DIN7337-A4X12	6
13	RH WING	ON REQUEST	1
14	LH WING	ON REQUEST	1



DETAIL X



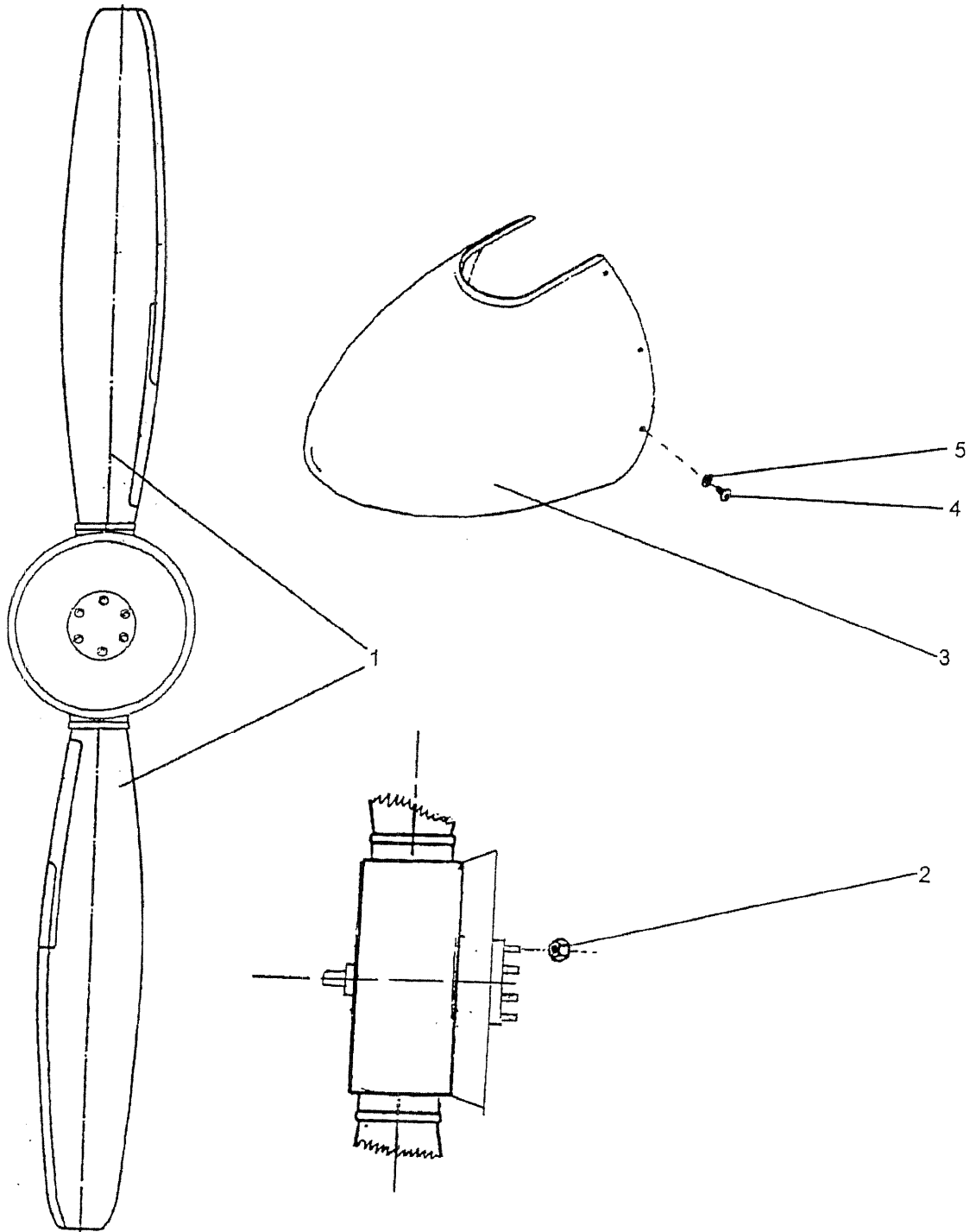
ASSEMBLY NO.: 5730-00-01
 ASSEMBLY NAME: WINGTIPS

VALID FOR SERIAL N`S:
 20005 AND SUBSEQUENT

POS. NO.:	NAME	PART NO.:	QUANTITY PER ASSEMBLY:
1	WINGTIP - RIGHT	DV2-5730-02-00	0-1
2	WINGTIP - LEFT	DV2-5730-01-00	0-1
3	POSITION-LIGHT RED	01-0790006-02	0-1
4	POSITION-LIGHT GREEN	01-0790006-00	0-1
5	CONNECTOR	1-480318-0	2
6	CONNECTOR	1-480_305-0	2
7	POWER-SUPPLY	A490T-CF_14_28	1
8	COUTER RIVET	DIN7337-A4X20.3	4
9	GROUND WIRE	500213	1
10	WIRE	M-ZN_1419	1
11	WIRE	M22759-16-16-9	1
12	WIRE	M-ZL_1619_STZ_3	1
13	BOLT	ISO7380-M5X16-A2	7
14	RIVET NUT-SELF LOCKING	LN29671-AM5	7
15	COUTER SUNK RIVET	DIN7337-B3.2X11	18
16	RIVET NUT	BN638-AM8-A2	1
17	RING BOLT	DIN580-M8-A2	1
18	WIRE CLAP	CCS38_S8-C	1
19	CONNECTOR	182921-1	1
20	BOLT	DIN84-AM3X16-ZP	4
21	SELF LOCKING NUT	DIN985-M3-A2	4
22	SELF TAPPING SCREW	DIN971-3.5X16-ZP	3
23	COUPLING	320570	2

CHAPTER 61 - PROPELLER

HOFFMANN	PAGE
HOFFMANN PROPELLER.....	6100-01-00/1
MT	
MT PROPELLER.....	6100-02-00/1



ASSEMBLY NO.: 6100-01-00
ASSEMBLY NAME: HOFFMANN-PROPELLER

VALID FOR SERIAL N'S:
20005 AND SUBSEQUENT

POS. NO.:	NAME	PART NO.:	QUANTITY PER ASSEMBLY:
1	PROP COMPLETE WITH 2,3,4	HO-V352F_C170FQ	1
2	NUT	MS21044N8	6
3	SPINNER WHITE	VP30-351	1
4	SPINNERSCREW	C306-8	10
5	WASHER FOR SPINNER	C-344	10

DATE OF ISSUE:

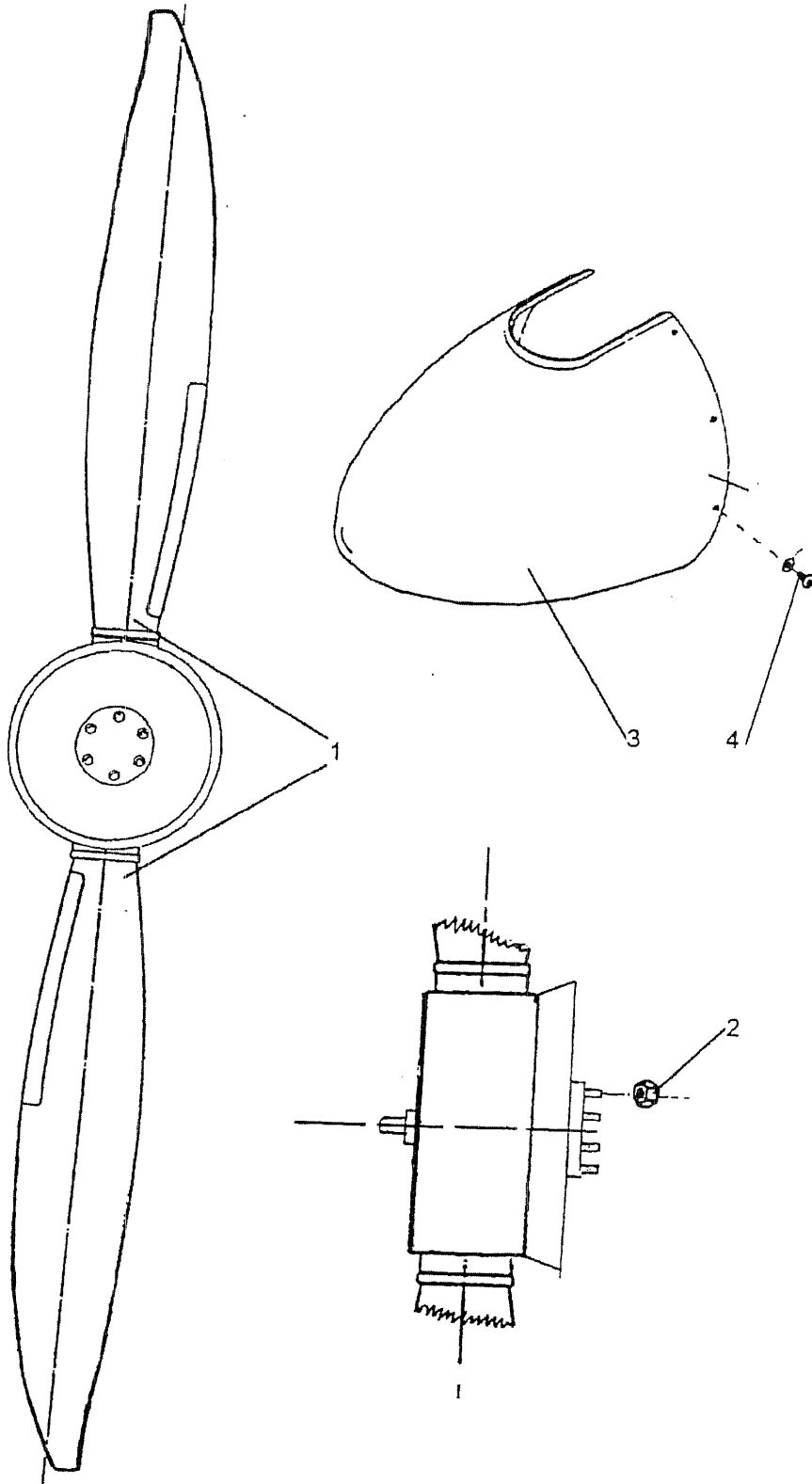
JUL. 1, 2010

REV. NO.:

4

PAGE NO.:

D/6100-01-00/1



ASSEMBLY NO.: 6100-02-00
ASSEMBLY NAME: MT-PROPELLER

VALID FOR SERIAL N°S:
20005 AND SUBSEQUENT

POS. NO.:	NAME	PART NO.:	QUANTITY PER ASSEMBLY:
1	MT-PROP	MTV-21-A_175-05	1
2	NUT	NAS1291X8	6
3	SPINNER WHITE	B-030-1-A	1
4	SPINNERSCREW	AN526C1032R7	10

DATE OF ISSUE:

JUL. 1, 2010

REV. NO.:

4

PAGE NO.:

D/6100-02-00/1

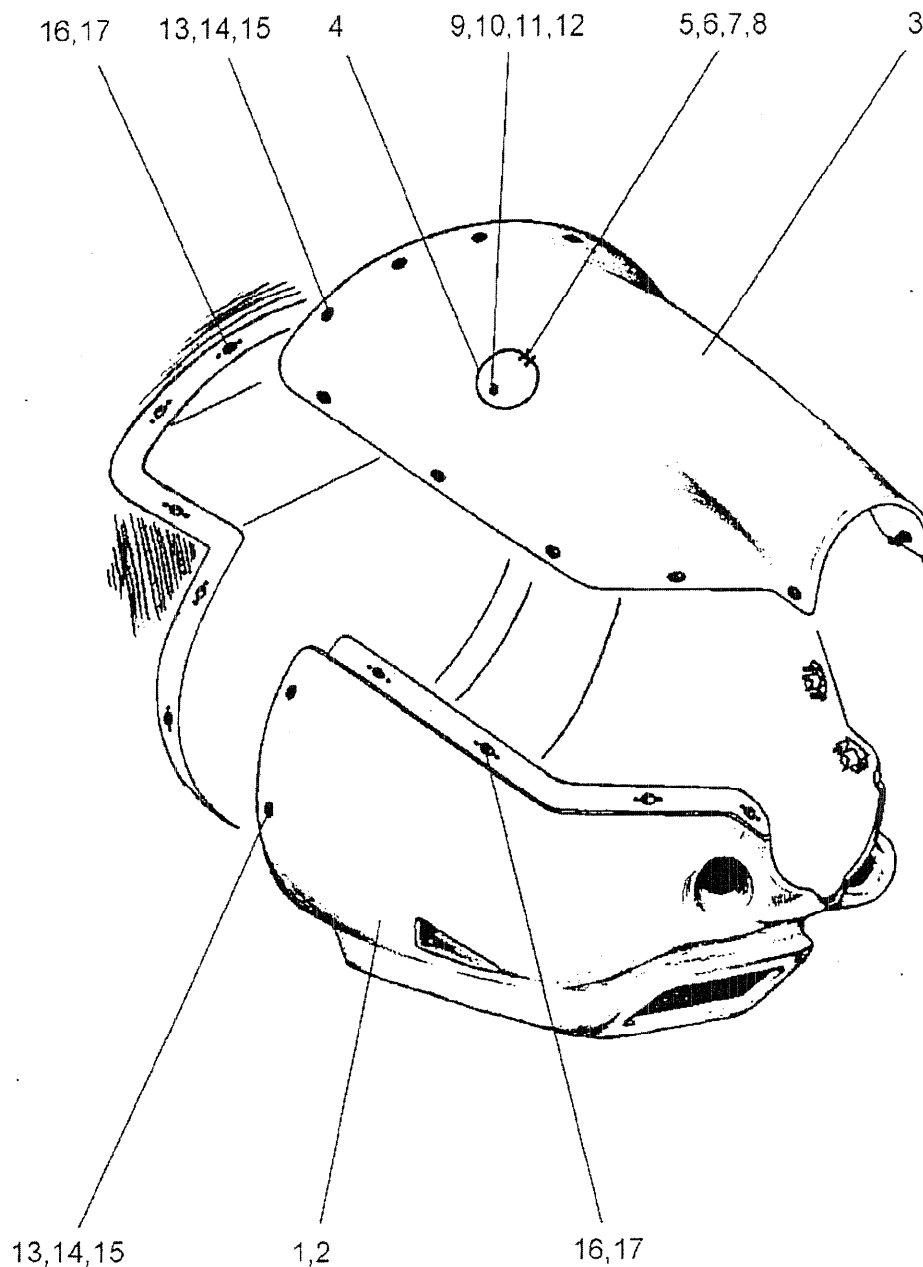
CHAPTER 71 - Power Plant

ENGINE COWLING	PAGE
Engine-Cowling.....	7110-00-01/1 7110-00-01/2
 ENGINE MOUNT	
Engine Mount.....	7120-00-01/1
 ENGINE DRAIN	
Engine-Drain.....	7170-00-01/1

ASSEMBLY NO.: 7110-00-01
 ASSEMBLY NAME: ENGINE-COWLING

VALID FOR SERIAL N`S:
 20051 AND SUBSEQUENT

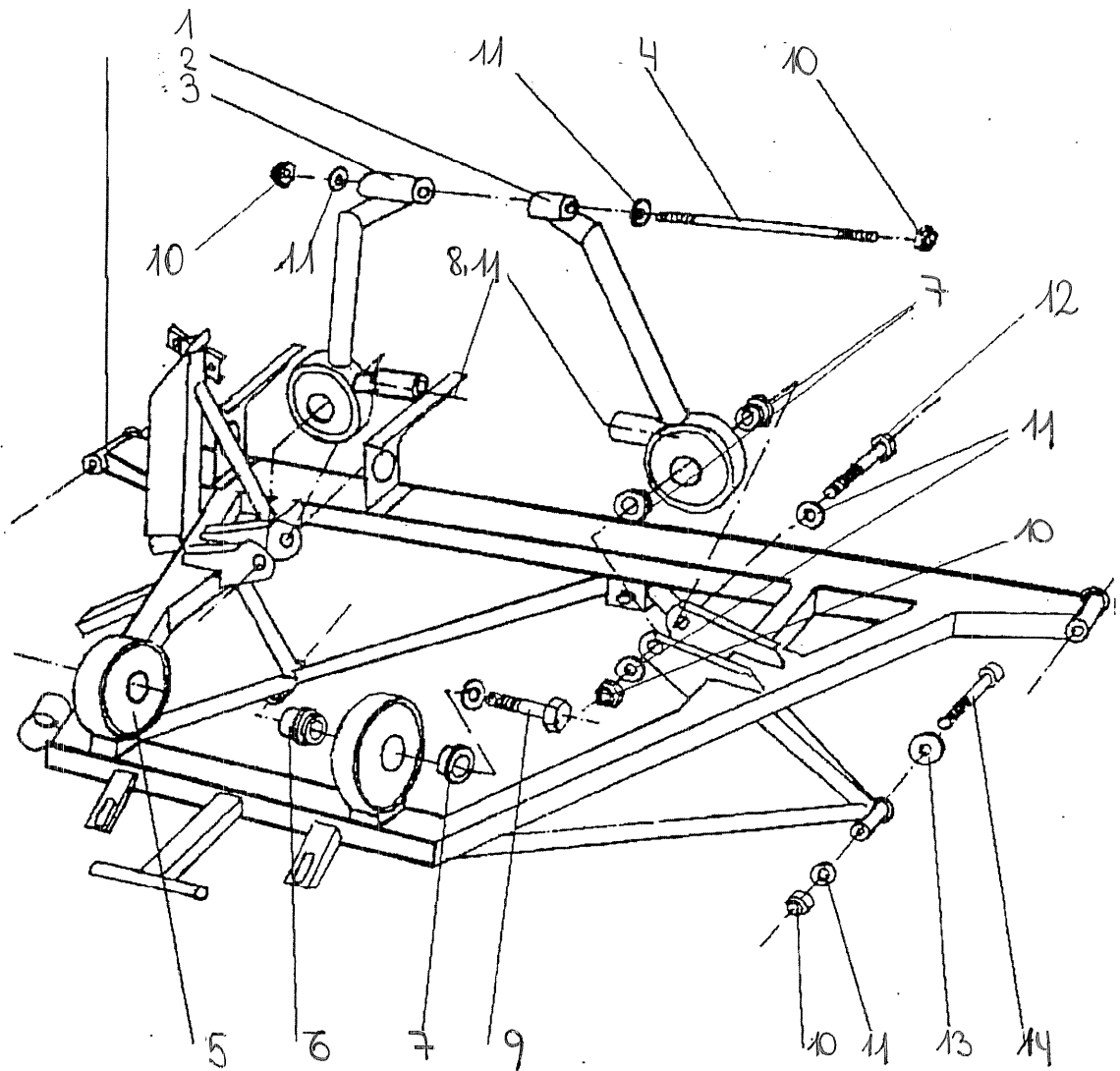
POS. NO.:	NAME	PART NO.:	QUANTITY PER ASSEMBLY:
1	LOWER COWLING-WITH LIGHT	D20-7116-00-00X02	0-1
2	LOWER COWLING	DV2-7110R-00-02_1	0-1
3	UPPER COWLING	DV2-7110-R00-01	1
4	COVER	820-5300-01-36	1
5	BOLT	ISO7380-M3X10-A2	4
6	SELF LOCKING NUT	DIN985-M3-A2	4
7	WASHER	DIN134-A3.2-ZP	4
8	HINGE	D41-7116-62-00	1
9	LOCK	2600-5WD	1
10	WASHER	V2600-LW-7	1
11	MOUNT	99R10-01A1	1
12	NUT	10-01_A1	1
13	LOCK	40S5-7D	21
14	GUIDE	4002-N-3	21
15	CIRCLIP	R4G-2	21
16	MOUNT	244-16G	21
17	RIVET	DIN7337-B3.2X11	42



ASSEMBLY NO.: 7110-00-01
ASSEMBLY NAME: ENGINE-COWLING

VALID FOR SERIAL N`S:
20005 TO 20050

POS. NO.:	NAME	PART NO.:	QUANTITY PER ASSEMBLY:
1	LOWER COWLING-WITH LIGHT	D20-7116-00-00X02	0-1
2	LOWER COWLING	DV2-7110R-00-02_1	0-1
3	UPPER COWLING	DV2-7110-R00-01	1
4	COVER	820-7100-07-01	1
5	BOLT	ISO7380-M3X10-A2	4
6	SELF LOCKING NUT	DIN985-M3-A2	4
7	WASHER	DIN134-A3.2-ZP	4
8	HINGE	D41-7116-62-00	1
9	LOCK	2600-5WD	1
10	WASHER	V2600-LW-7	1
11	MOUNT	99R10-01A1	1
12	NUT	10-01_A1	1
13	LOCK	40S5-7D	21
14	GUIDE	4002-N-3	21
15	CIRCLIP	R4G-2	21
16	MOUNT	244-16G	21
17	RIVET	DIN7337-B3.2X11	42



ASSEMBLY NO.: 7120-00-01
 ASSEMBLY NAME: ENGINE MOUNT

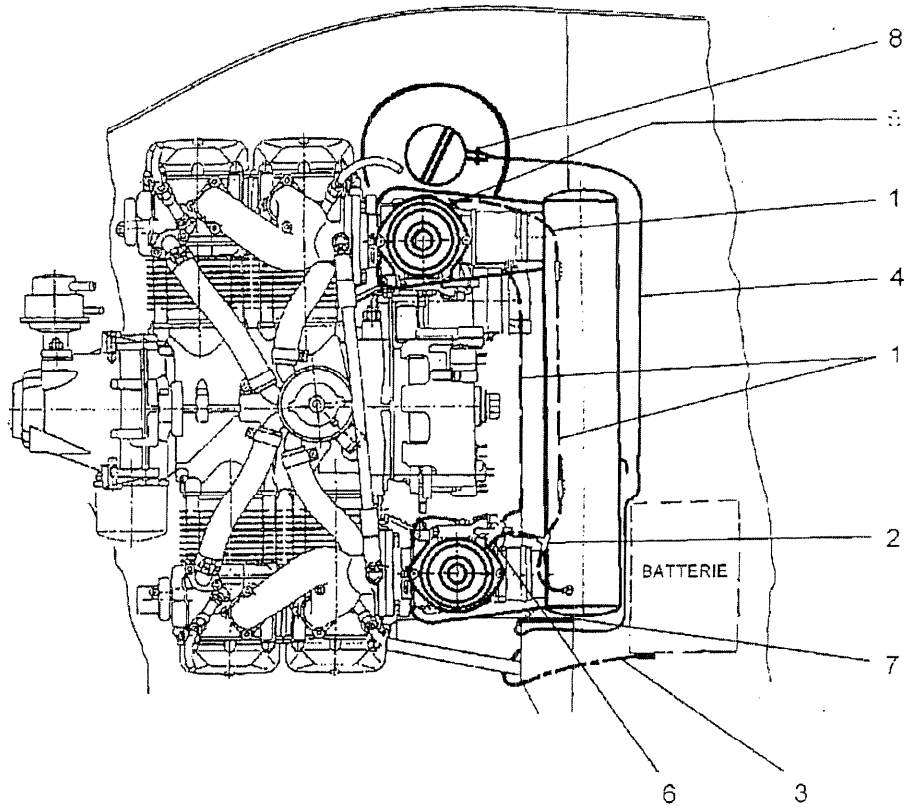
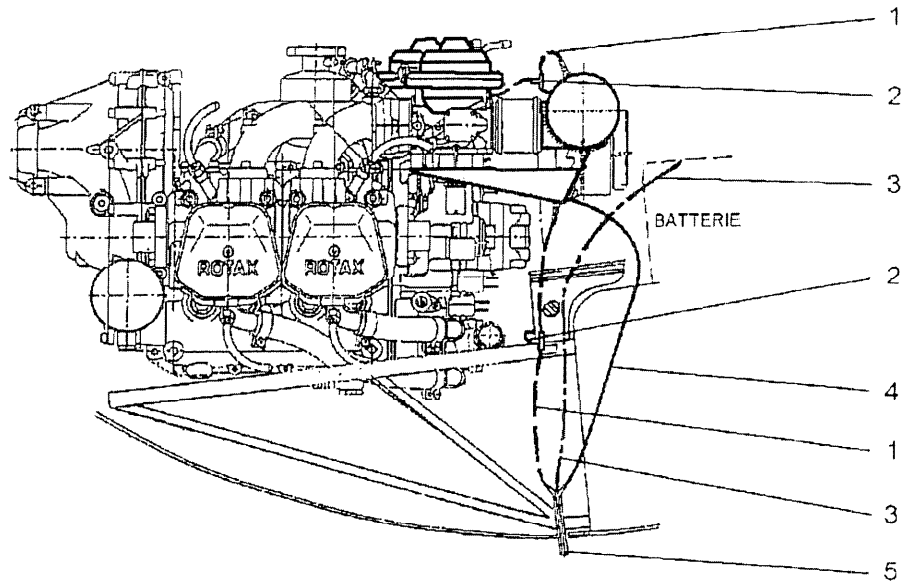
VALID FOR SERIAL N`S:
 20005 AND SUBSEQUENT

POS. NO.:	NAME	PART NO.:	QUANTITY PER ASSEMBLY:
1	ENGINE MOUNT WITH STRUT	DV2-7120R00-00_1	1
2	LH STRUT	820-7100-01-24	1
3	RH STRUT	820-7100-01-25	1
4	THREADED PIN	820-7100-01-05	1
5	SHOCK MOUNTS	ST-1221416004_	1
6	SPACER TUBE	DV2-7121R00-03	4
7	SPACER TUBE	DV2-7121R00-02	2
8	BOLT	DIN931-M10X75	6
9	BOLT	DIN931-M10X70-8.8-EG	2
10	SELF LOCKING NUT	DIN980V-M10X1.5	2
11	WASHER	DIN125-BM10-ZP	8
12	BOLT	DIN931-M10X60-YZP	14
13	WASHER	BN732-M10X40-BZP	2
14	BOLT	DIN912-M10X80-12.9	4
			4

ASSEMBLY NO.: 7170-00-01
ASSEMBLY NAME: ENGINE - DRAIN

VALID FOR SERIAL N`S:
20005 AND SUBSEQUENT

POS. NO.:	NAME	PART NO.:	QUANTITY PER ASSEMBLY:
1	HOSE	06_5205_2004	1
2	T-FITTING	TS6	2
3	HOSE	299T01	1
4	HOSE	4219-8.0	1
5	BREATHER	DV2-7170R00-01	1
6	TIE-RIP	PLT1MM30	3
7	TIE-RIP	PLT4SM30	1
8	OETIKER-TYPE-CLAMP	16GER	1



CHAPTER 72 - Engine

ENGINE	PAGE
Engine.....	7200-00-01/1

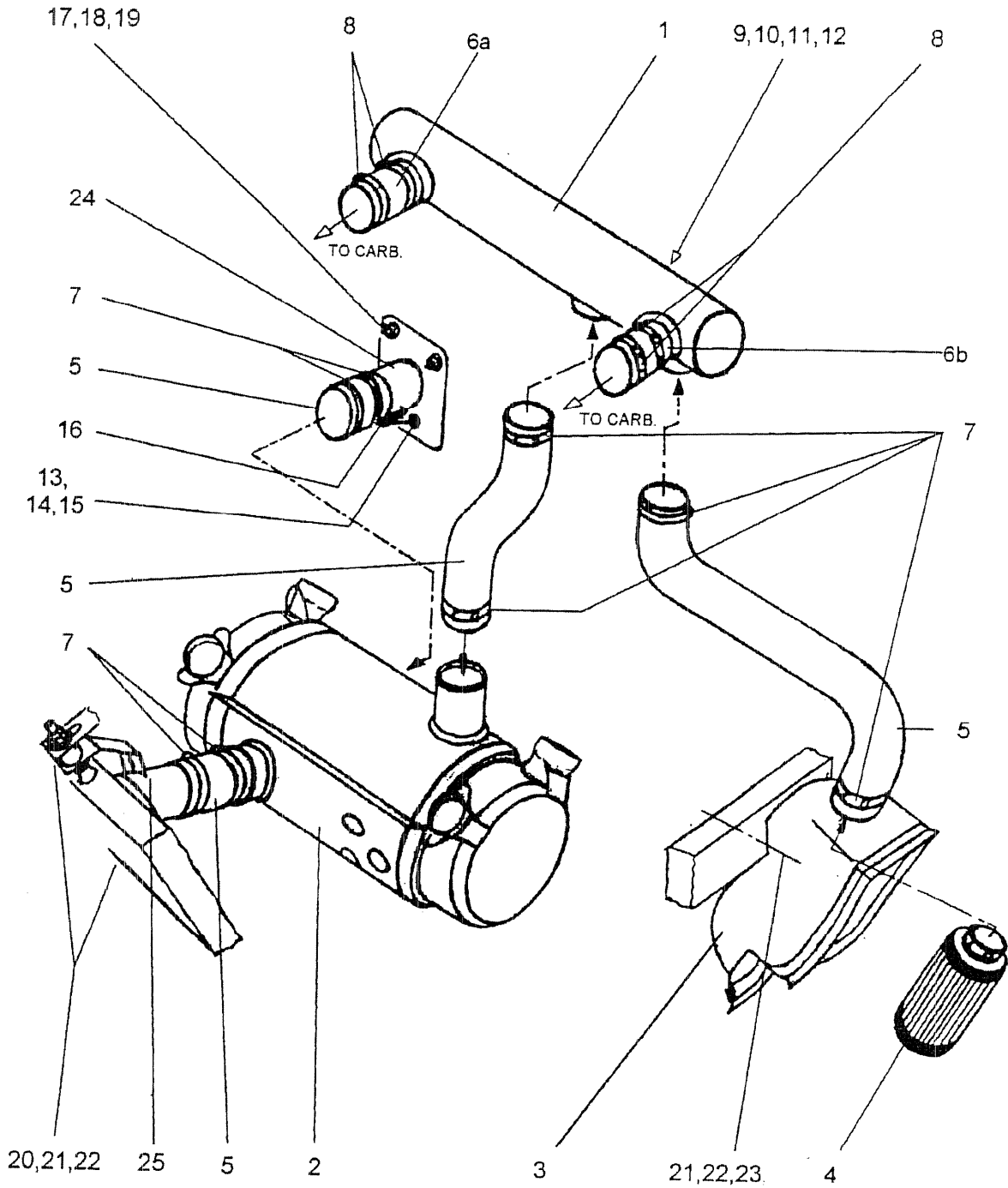
ASSEMBLY NO.: 7200-00-01
ASSEMBLY NAME: ENGINE

VALID FOR SERIAL N`S:
20005 AND SUBSEQUENT

POS. NO.:	NAME	PART NO.:	QUANTITY PER ASSEMBLY:
1	SPARE PARTS LIST FOR ROTAX ENGINE TYPE 912 A3 LAST EDITION	<u>ON REQUEST</u>	1
2	ROTAX ENGINE 912 A3	<u>ON REQUEST</u>	1

CHAPTER 75 - Engine Air and Water Circuit

ENGINE AIR AND WATER CIRCUIT	PAGE
Engine-Air.....	7500-00-01/1 7500-00-02/1
Engine-Water Circuit.....	7500-00-02/1



ASSEMBLY NO.: 7500-00-01
 ASSEMBLY NAME: ENGINE-AIR

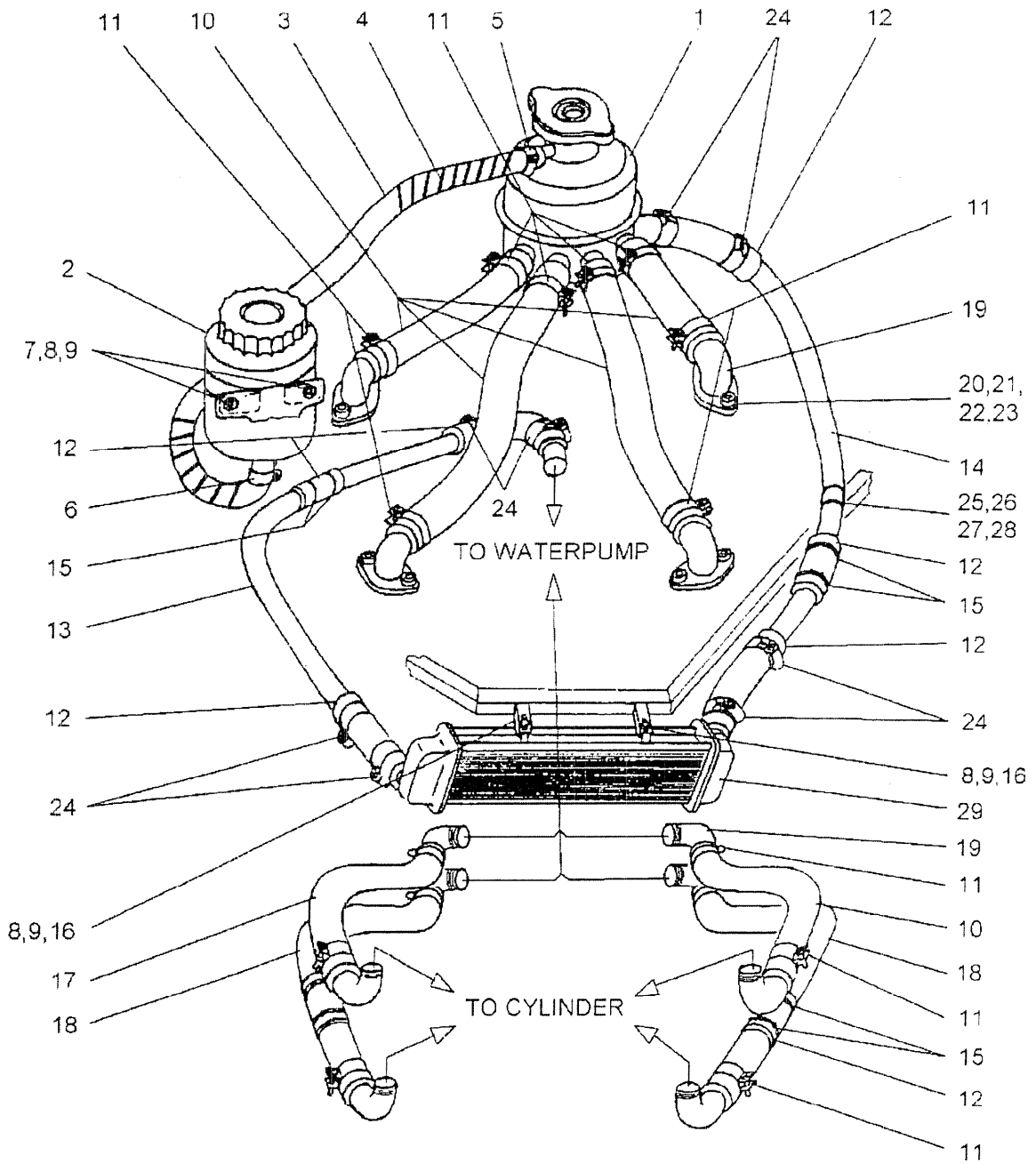
VALID FOR SERIAL N°S:
 20005 TO 20140

POS. NO.:	NAME	PART NO.:	QUANTITY PER ASSEMBLY:
1	CARB. PREHEATER BOX	DV2-7500R-02-00	1
2	HEAT EXCHANGER	DV2-7800R01-01	1
3	AIR FILTER BOX	HK36.135160	1
4	AIR FILTER	RU-0810	1
5	HOSE	SCAT10	1
6a	HOSE 50*60	DIN73411-50X4.5	1
6b	HOSE 50*40	DIN73411-50X4.5	1
7	CLAMP	SGTS_50-70_9W1C7	8
8	CLAMP	SGTS40-60_9W1C7	4
9	CARB. BOWDEN CABLE	DV2-7600R00-04	1
10	NIPPLE	DAI-9071-03-01	1
11	SELF LOCKING NUT	DIN985-M5-A2	5
12	SPRING	RZ_066_0	1
13	HEATING BOWDEN CABLE	DV2-7500R00-03	1
14	LOCKWASHER	DIN6797-JM5-A2	1
15	HEXAGON NUT	DIN934-M5-A2	1
16	NIPPLE	E816_016_001	1
17	BOLT	LN9037-05016	3
18	WASHER	DIN125-A5.3-A2	3
19	DAMPER	09_6048_01_155_	2
20	SELF LOCKING NUT	DIN980-VM6-A2	3
21	WASHER	DIN134-A6,4-A2	3
22	BOLT	DIN933-M6X16-8.8-YZP	1
23	WASHER	BN732-6X25	1
24	HEATING VALVE	DV2-7500R-01-00	1
25	AIR COVER	820-7100-04-01	1

ASSEMBLY NO.: 7500-00-01
 ASSEMBLY NAME: ENGINE-AIR

VALID FOR SERIAL N'S:
 20141 AND SUBSEQUENT

POS. NO.:	NAME	PART NO.:	QUANTITY PER ASSEMBLY:
1	CARB. PREHEATER BOX	DV2-7500R-02-00	1
2	HEAT EXCHANGER	DV2-7800R01-01	1
3	AIR FILTER BOX	HK36.135160	1
4	AIR FILTER	RU-0810	1
5	HOSE	SCAT10	1
6a	HOSE 50*60	DIN73411-50X4.5	1
6b	HOSE 50*40	DIN73411-50X4.5	1
7	CLAMP	SGTS_50-70_9W1C7	8
8	CLAMP	SGTS40-60_9W1C7	4
9	CARB. BOWDEN CABLE	DV2-7600R00-04	1
10	NIPPLE	DAI-9071-03-01	1
11	SELF LOCKING NUT	DIN985-M5-A2	5
12	SPRING	RZ_066_0	1
13	HEATING BOWDEN CABLE	DV2-7500R00-03	1
14	LOCKWASHER	DIN6797-JM5-A2	1
15	HEXAGON NUT	DIN934-M5-A2	1
16	NIPPLE	E816_016_001	1
17	BOLT	LN9037-05016	3
18	WASHER	DIN125-A5.3-A2	3
19	DAMPER	09_6048_01_155_	2
20	SELF LOCKING NUT	DIN980-VM6-A2	3
21	WASHER	DIN134-A6,4-A2	3
22	BOLT	DIN933-M6X16-8.8-YZP	1
23	WASHER	BN732-6X25	1
24	HEATING VALVE	DV2-7500R-01-00	1
25	AIR COVER	820-7100-04-01	1



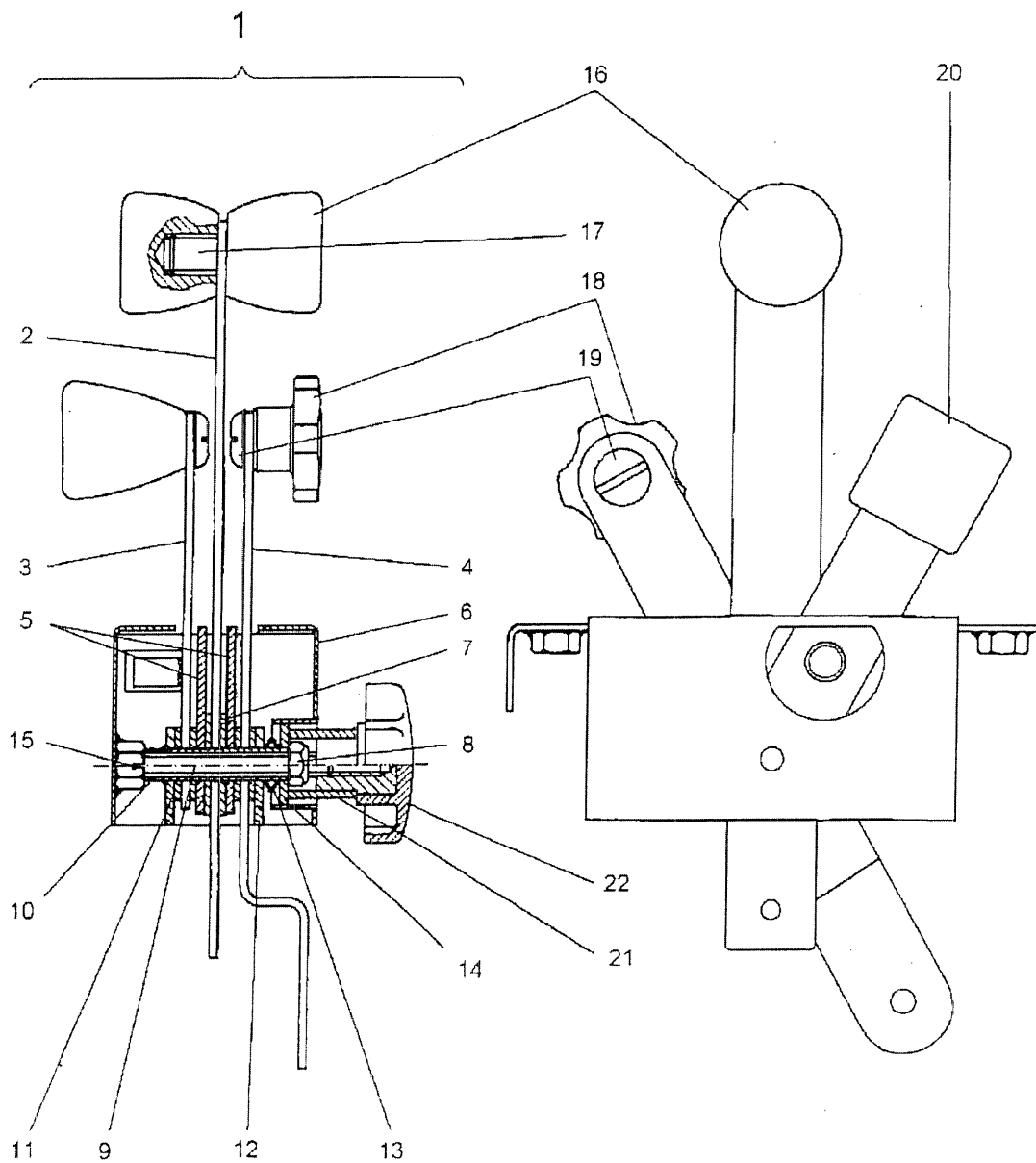
ASSEMBLY NO.: 7500-00-02
 ASSEMBLY NAME: ENGINE-WATER CIRCUIT

VALID FOR SERIAL N`S:
 20005 AND SUBSEQUENT

POS. NO.:	NAME	PART NO.:	QUANTITY PER ASSEMBLY:
1	EXPANSION TANK	ON REQUEST	1
2	OVERFLOW-BOTTLE	33508-02643	1
3	HOSE	4219-8.0	1
4	COATING	T50F	1
5	CLAMP	01267702013	1
6	CLAMP	01167602013	1
7	BOLT	LN9037-M6X16	4
8	WASHER	DIN134-A6,4-A2	4
9	SELF LOCKING NUT	DIN980-VM6-A2	4
10	TUBE 160 MM	922250_	5
11	CLAMP	RSGU1	16
12	TUBE	820-7100-04-06_	1
13	ELBOW RIGHT	820-7100-04-02	1
14	ELBOW LEFT	DV2-7200R00-02	1
15	TIE RIP	PLT2SM30	8
16	DAMPER	09_6048_01_155_	2
17	TUBE 180 MM	922250_	1
18	TUBE 290 MM	922250_	2
19	BENT SOCKET	922232	12
20	O-RING	950180	4
21	MANIFOLD FLANGE	922303	4
22	LOCK WASHER	945751	4
23	ALLEN SCREW	241930	4
24	CLAMP	053911222_003_50	8
25	BOLT	LN9037-05016	1
26	WASHER	DIN125-AM5-ZP	2
27	SELF LOCKING NUT	DIN980-VM5-A2	1
28	CLAMP	RSGU1_22_9	1
29	RADIATOR	995697	1

CHAPTER 76 - Engine Controls

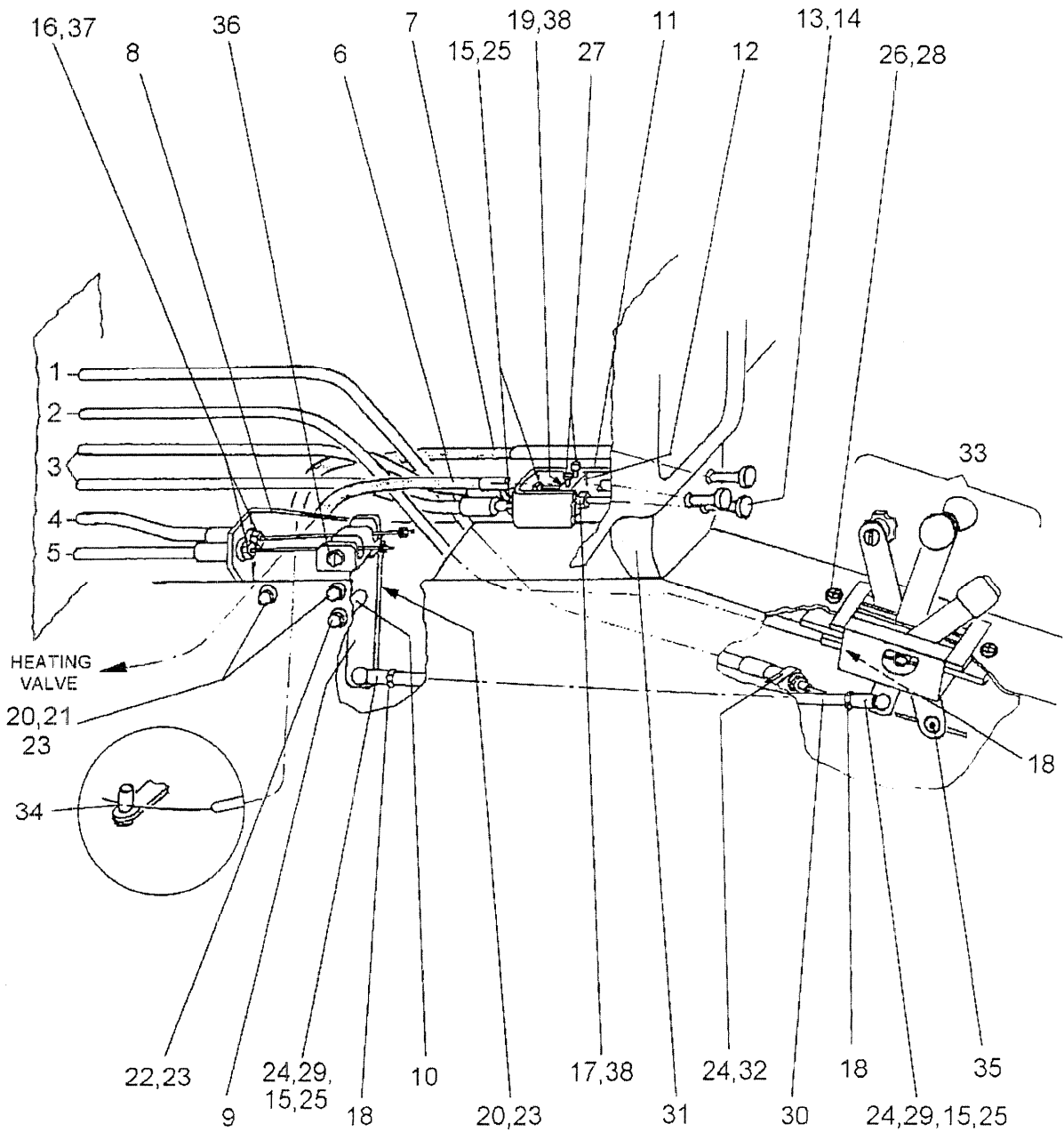
THROTTLE-QUADRANT	PAGE
Throttle-Quadrant.....	7600-00-01/1
Engine Control-Cockpit.....	7600-00-02/1
	7600-00-02/2
Engine Control-Engine.....	7600-00-03/1



ASSEMBLY NO.: 7600-00-01
 ASSEMBLY NAME: THROTTLE-QUADRANT

VALID FOR SERIAL N`S:
 20005 AND SUBSEQUENT

POS. NO.:	NAME	PART NO.:	QUANTITY PER ASSEMBLY:
1	THROTTLE-QUADRANT	820-7100-06-00	1
2	LEVER I	DV2-7600R01-05	1
3	LEVER II	DV2-7600R01-06	1
4	LEVER III	DV2-7600R01-08	1
5	STOP PLATE	DV2-7600R01-02	2
6	HOUSING	ON REQUEST	1
7	POLYAMIDE WASHER	DIN125-A8.4-PA	2
8	HEXAGON NUT	DIN985-M6-A2	1
9	THREADED PIN	DIN551-M6X60-ZP	1
10	SLEEVE	DV2-7600R01-04	1
11	POLYAMIDE WASHER	DIN125-A8.4-PA	4
12	SQUARE WASHER	DV2-7600R01-03	1
13	SPRING WASHER	DIN2093-A16X8.2X0.9	2-3
14	WASHER	BN567-8	1
15	DOWEL PIN	DIN1481-1.5X10-A2	1
16	KNOB	820-7613-10-31	2
17	THREADED PIN	DIN551-M10X25-5.8	1
18	KNOB	303206	1
19	BOLT	DIN85-AM6X12-YZP	2
20	KNOB	820-7100-06-30	1
21	SLEEVE	BU2-16-14-0170-C1	1
22	KNOB	29K 4006	1



ASSEMBLY NO.: 7600-00-02

VALID FOR SERIAL N`S:

ASSEMBLY NAME: ENGINE CONTROL - COCKPIT

20005 AND SUBSEQUENT

POS. NO.:	NAME	PART NO.:	QUANTITY PER ASSEMBLY:
1	BOWDEN CABLE - PROP.	DV2-7600R00-05	1
2	BOWDEN CABLE - CARB.	DV2-7600R00-04	1
3	BOWDEN CABLE - CHOKE	820-7100-06-03	2
4	BOWDEN CABLE - POWER R.	DV2-7600R00-02	1
5	BOWDEN CABLE - POWER L.	DV2-7600R00-02	1
6	BOWDEN CABLE - HEAT	DV2-7500R00-03	1
7	BOWDEN CABLE - PARK.BREAK	820-3210-05-03	1
8	PEDESTAL	820-7000-06-26-1	1
9	LEVER	820-7000-06-25-1	1
10	SPACER TUBE	820-7000-06-30	1
11	FRAME	DV2-7600R03-02	2
12	CABLE LINK	DV2-7600R03-03	1
13	DRAW KNOB	DV2-7600R-03-01	1
14	GUIDE	E052173001-MOD	1
15	HEXAGON NUT	DIN934-M5-A2	6
16	HEXAGON NUT	DIN934-M6-8.8-B	2
17	HEXAGON NUT	DIN934-M4-8.8-ZP	1
18	HEXAGON NUT	DIN439-BM5-ZP	3
19	SELF LOCKING NUT	DIN985-M4-A2	1
20	SELF LOCKING NUT	DIN985-M6-A2	1
21	BOLT	LN9037-06014	1
22	BOLT	LN9037-M6X38	1
23	WASHER	DIN134-A6,4-A2	6
24	WASHER	DIN125-AM5-ZP	6
25	LOCK WASHER	DIN6797-JM5-A2	6
26	WASHER	BN1276-M5-BZP	2
27	BOLT	DIN7985-M4X16-ZP	2
28	BOLT	DIN964-AM6X10-ZP	2
29	ANGLE JOINT	E75707081	2
30	POWER LINKAGE	820-7000-06-29	1
31	CONSOLE	DV2-5361-00-15	1
32	BOWDEN CABLE FIXTURE	E900107000	1
33	THROTTLE QUADRANT	820-7100-06-00	1

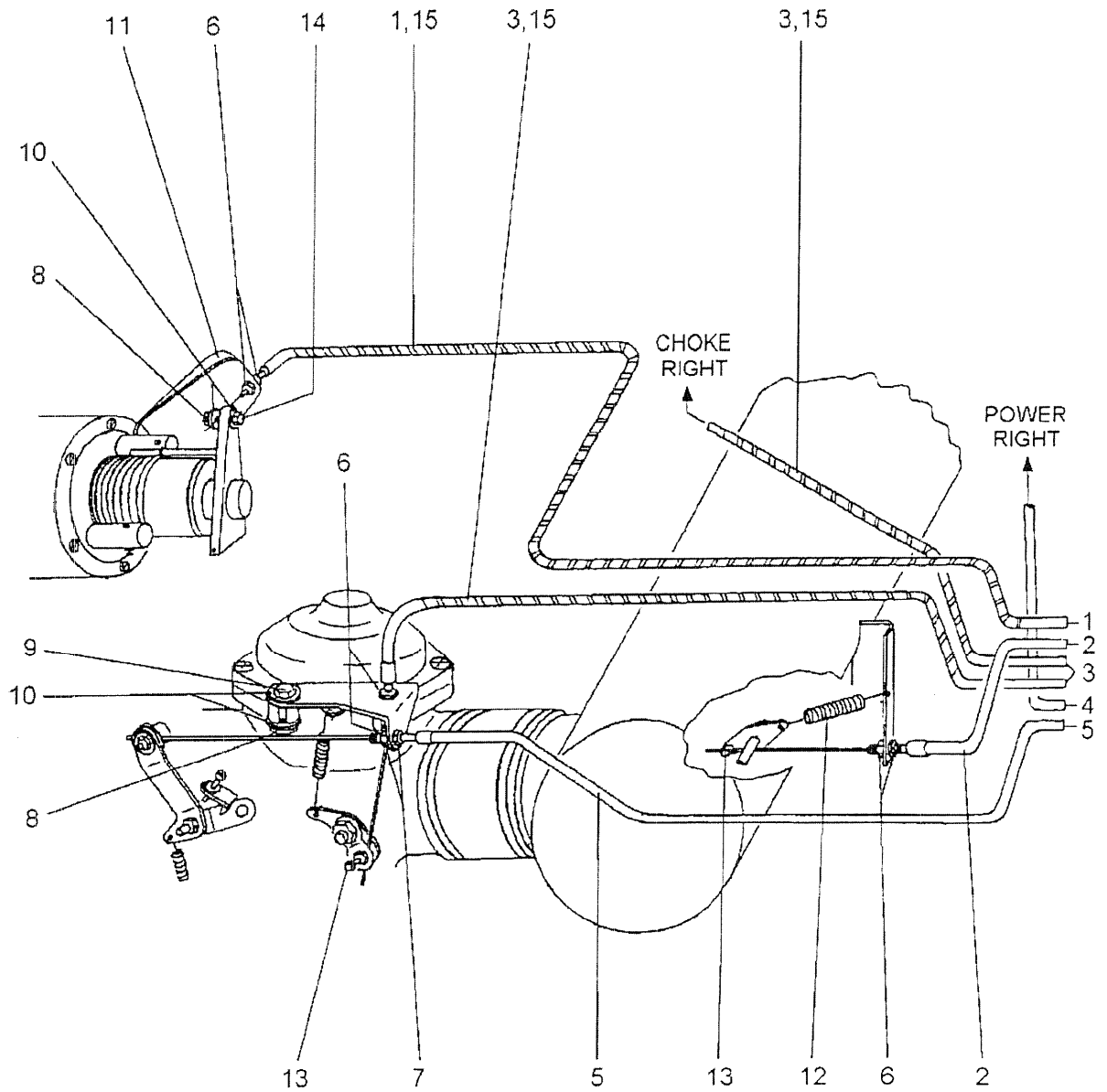
ASSEMBLY NO.: 7600-00-02

VALID FOR SERIAL N`S:

ASSEMBLY NAME: ENGINE CONTROL - COCKPIT

20005 AND SUBSEQUENT

POS. NO.:	NAME	PART NO.:	QUANTITY PER ASSEMBLY:
34	NIPPLE	DAI-9071-03-01	1
35	NIPPLE	1450	1
36	NIPPLE	1480_38A	1
37	LOCK WASHER	DIN6797-J6.4-ZP	2
38	LOCK WASHER	DIN6797-JM4-A2	2



ASSEMBLY NO.: 7600-00-03

VALID FOR SERIAL N`S:

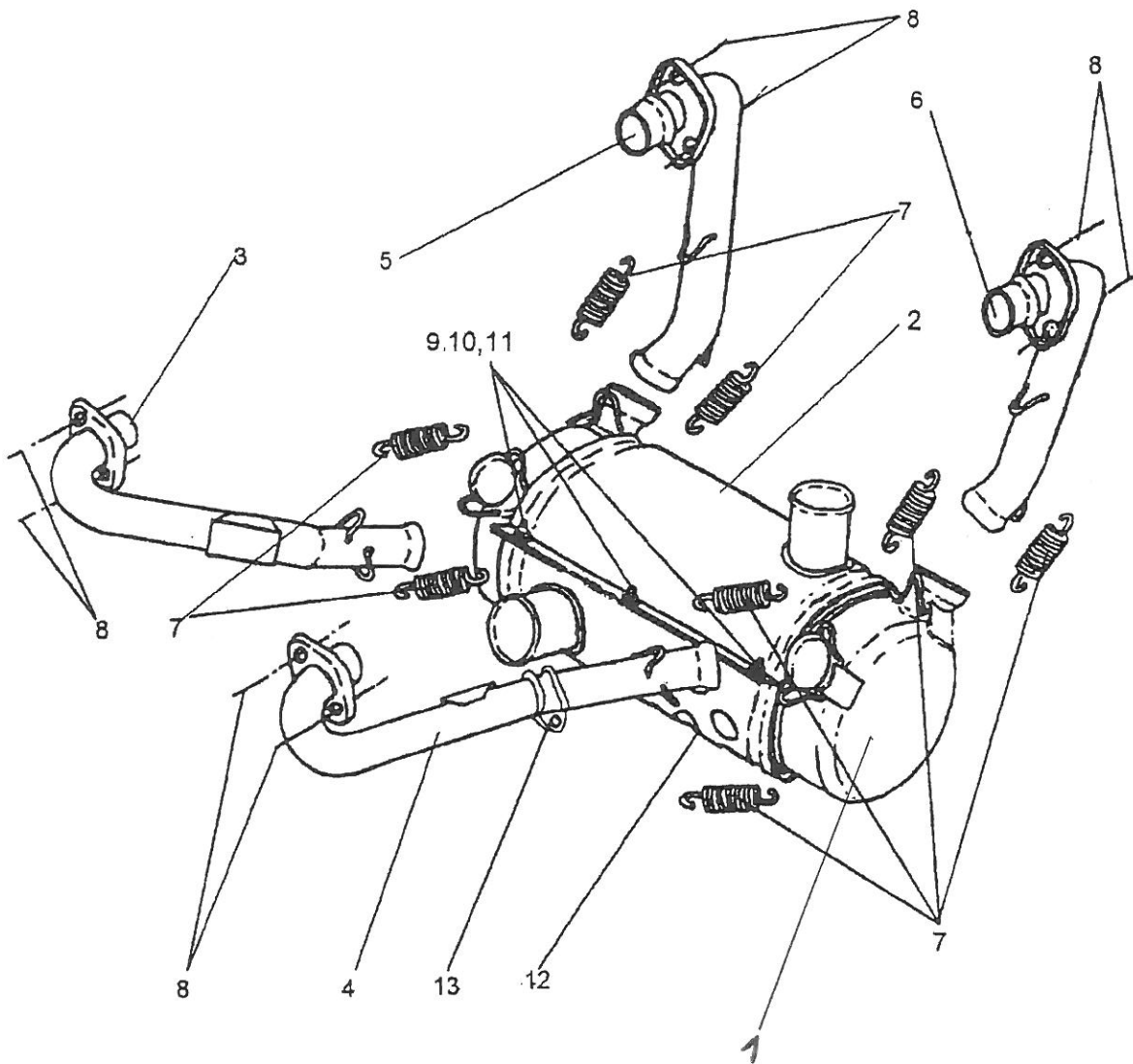
ASSEMBLY NAME: ENGINE CONTROL - ENGINE

20005 AND SUBSEQUENT

POS. NO.:	NAME	PART NO.:	QUANTITY PER ASSEMBLY:
1	BOWDEN CABLE - PROP.	DV2-7600R00-05	1
2	BOWDEN CABLE - CARB.	DV2-7600R00-04	1
3	BOWDEN CABLE - CHOKE	820-7100-06-03	2
4	BOWDEN CABLE - POWER R.	DV2-7600R00-02	1
5	BOWDEN CABLE - POWER L.	DV2-7600R00-02	1
6	HEXAGON NUT	DIN934-M5-A2	6
7	HEXAGON NUT	DIN934-M6-A2	2
8	SELF LOCKING NUT	DIN980-VM5-A2	2
9	BOLT	LN9037-M5X18	1
10	WASHER	DIN125-A5.3-A2	4
11	BOWDEN CABLE MOUNT	DV2-7600R00-06	1
12	SPRING	RZ_066_0	1
13	NIPPLE	DAI-9071-03-01	2
14	BOLT	DA4-2738-00-70	1
15	COATING	T25N-C	1

CHAPTER 78 - Exhaust

EXHAUST	PAGE
Exhaust with Heat Exchanger.....	7800-00-01/1
Exhaust Heatshield.....	7800-00-02/1



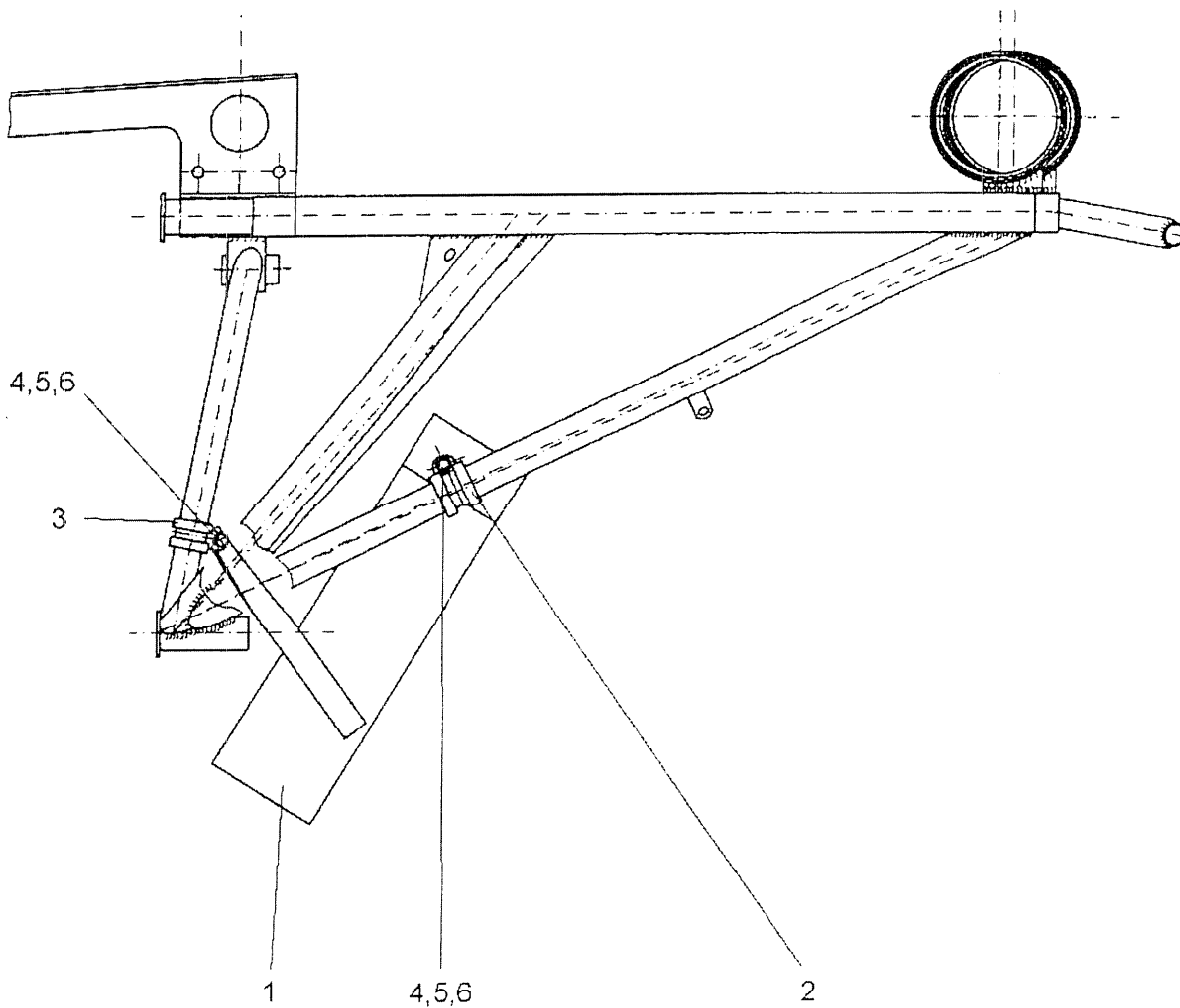
incl. Endpipe (not shown on the picture)
w/o Exhaust Manifolds

ASSEMBLY NO.: 7800-00-01

VALID FOR SERIAL N'S:

ASSEMBLY NAME: EXHAUST WITH HEAT EXCHANGER 20005 AND SUBSEQUENT

POS. NO.:	NAME	PART NO.:	QUANTITY PER ASSEMBLY:
1	EXHAUST COMPLETE	DV2-7800R00-00-ASY	1
2	HEAT EXCHANGER	DV2-7500R03-00	1
3	EXHAUST MANIFOLD RH FWD	DV2-7800R02-01	1
4	EXHAUST MANIFOLD LH FWD	DV2-7800R02-02	1
5	EXHAUST MANIFOLD RH RWD	DV2-7800R02-03	1
6	EXHAUST MANIFOLD LH RWD	DV2-7800R02-04	1
7	SPRING	938795	8
8	SELF LOCKING NUT	N000005	8
9	SELF LOCKING NUT	DIN980-VM5-A2	3
10	WASHER	DIN134-5-ZP	3
11	BOLT	DIN933-M5X12-YZP	3
12	EXHAUST	DV2-7800R00-00	1
13	STRAP FOR EXH. MANIFOLD	ARS-M8-33	1



ASSEMBLY NO.: 7800-00-02
ASSEMBLY NAME: EXHAUST HEATSHIELD

VALID FOR SERIAL N`S:
20005 AND SUBSEQUENT

POS. NO.:	NAME	PART NO.:	QUANTITY PER ASSEMBLY:
1	SHIELD PLATE	DV2-7800R01-01	1
2	CLAMP	054218_15_005	1
3	CLAMP	RSGU.1.14_12W1	1
4	BOLT	ISO4017-M5X16-YZP	2
5	SELF LOCKING N UT	DIN980-VM5-A2	2
6	WASHER	DIN125-A5.3-A2	2

CHAPTER 79 - Engine-Oil

ENGINE-OIL	PAGE
Engine-Oil.....	7900-00-01/1
	7900-00-02/1
	7900-00-03/1
	7900-00-04/1

ASSEMBLY NO.: 7900-00-01
 ASSEMBLY NAME: ENGINE - OIL

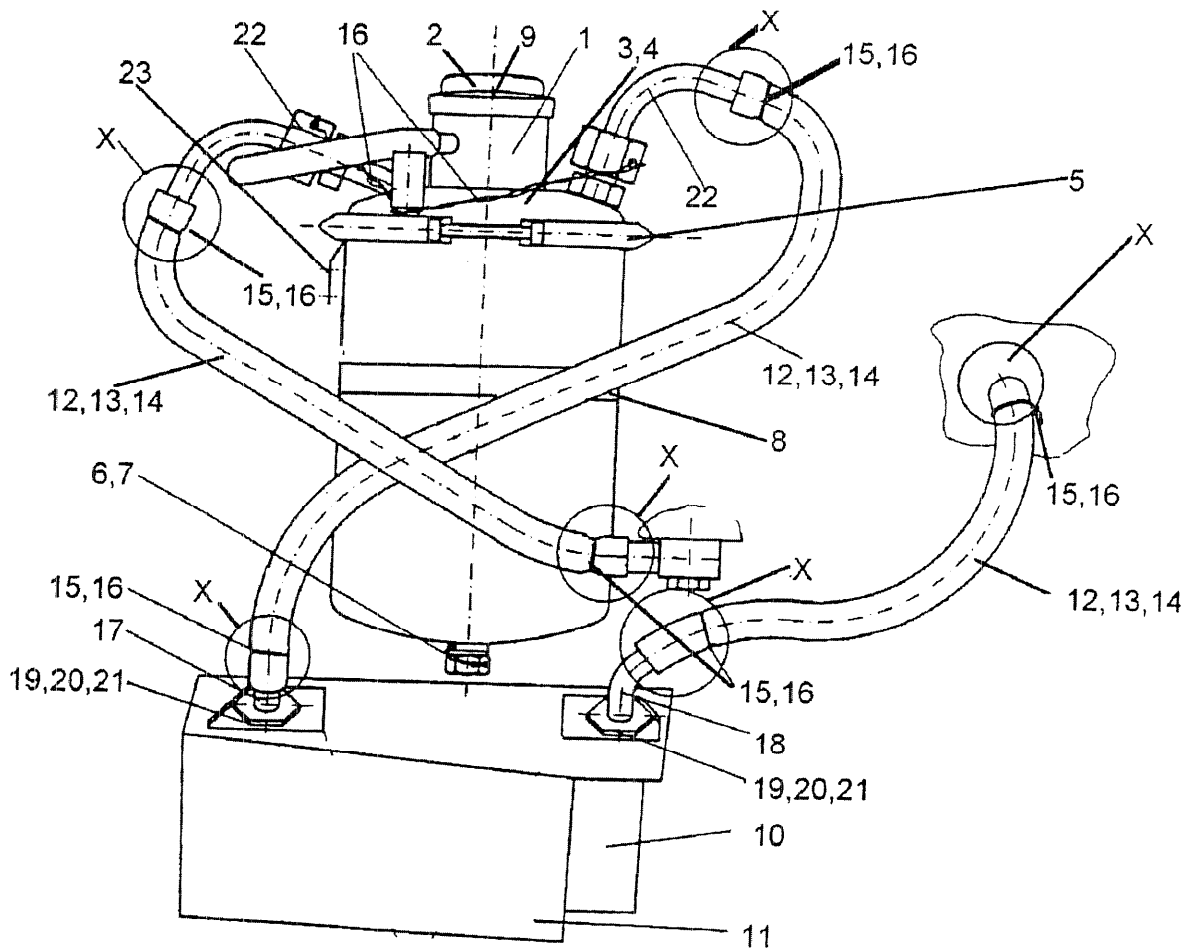
VALID FOR SERIAL N°S:
 20145 AND SUBSEQUENT

POS. NO.:	NAME	PART NO.:	QUANTITY PER ASSEMBLY:
1	OILTANK	956503	1
2	CAP	974647_YELLOW	1
3	COVER	956436	1
4	O-RING	850490	1
5	RING-SNAP	951817	1
6	BOLT	241403	1
7	SEAL	DIN7603-12X16X1.5-CU	1
8	HOSE CLAMP	SGT_130-150_9_W1_C7	1
9	OIL DIP ROD	956151	1
10	OIL COOLER	R886027	1
11	DEFLECTOR	ON REQUEST	1
12	SPRING	KM-3610	3
13	HOSE 11*3.5	956390_	3
13	HOSE 12*3.5 s.MO.NO.4380641	956390_	3
14	HOSE	2650-13	3
15	OETIKER TYPE CLAMP	15400046	6
16	LOCKING WIRE	MS20995C-32	1
17	FITTING	840449	1
18	FITTING	924583	1
19	HEXAGON NUT	242871	2
20	SOCKET	5616650	2
21	TAPWASHER	TC1-7906-00-01	2
22	FITTING	956580	2
23	OILTANK SUPPORT	DV2-7120R00-21	1

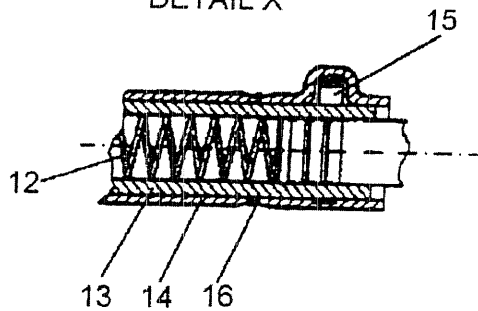
ASSEMBLY NO.: 7900-00-01
 ASSEMBLY NAME: ENGINE - OIL

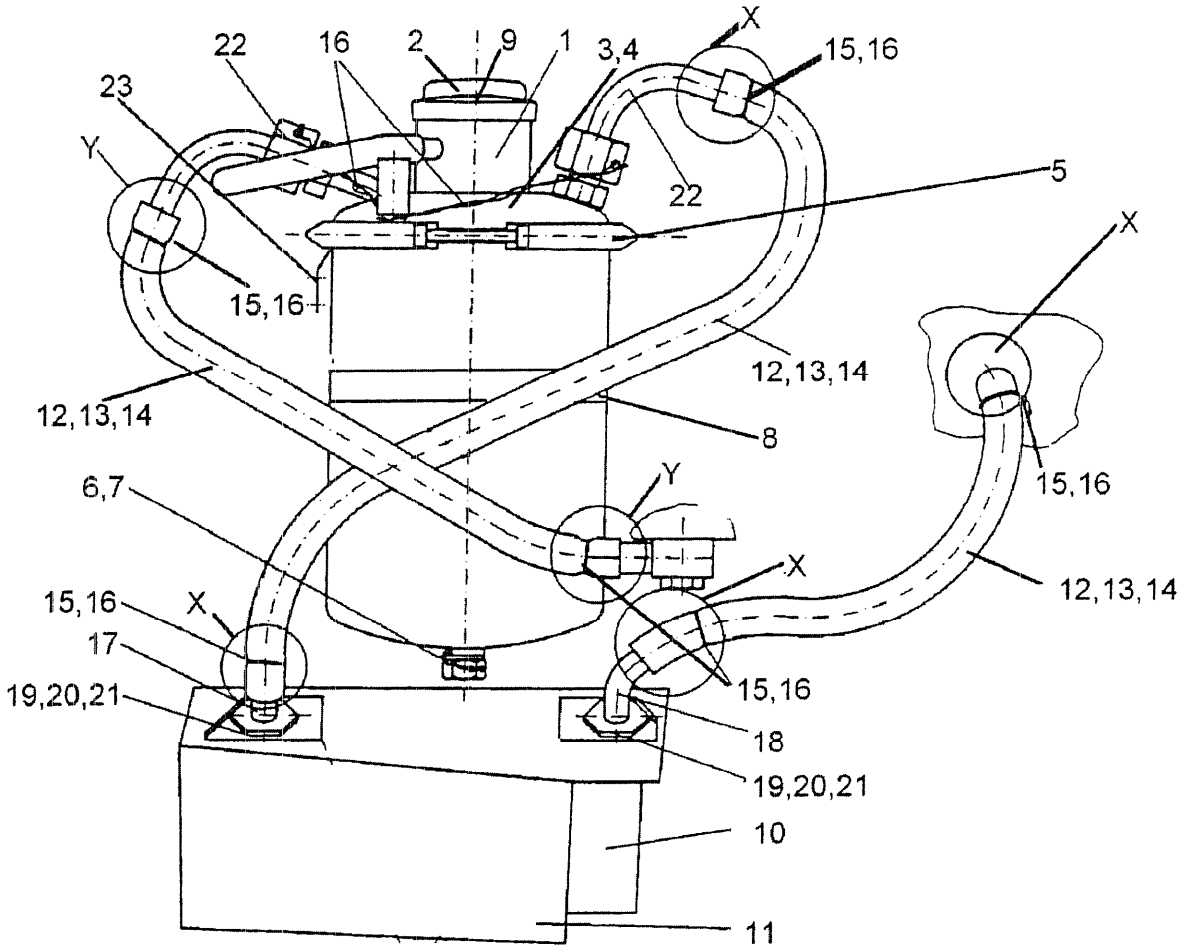
VALID FOR SERIAL N°S:
 20092 TO 20095

POS. NO.:	NAME	PART NO.:	QUANTITY PER ASSEMBLY:
1	OILTANK	956503	1
2	CAP	974647_YELLOW	1
3	COVER	956436	1
4	O-RING	850490	1
5	RING-SNAP	951817	1
6	BOLT	241403	1
7	SEAL	250010	1
8	HOSE CLAMP	SGT_130-150_9_W1_C7	1
9	OIL DIP ROD	956151	1
10	OIL COOLER	R886027	1
11	DEFLECTOR	ON REQUEST	1
12	SPRING	KM-3610	2
13	HOSE 11*3.5	956390_	3
13	HOSE 12*3.5 s.MO.NO.4380641	956390_	3
14	HOSE	2650-13	3
15	OETIKER TYPE CLAMP	15400046	6
16	LOCKING WIRE	MS20995C-32	1
17	FITTING	840449	1
18	FITTING	924583	1
19	HEXAGON NUT	242871	2
20	SOCKET	5616650	2
21	TAPWASHER	TC1-7906-00-01	2
22	FITTING	956580	2

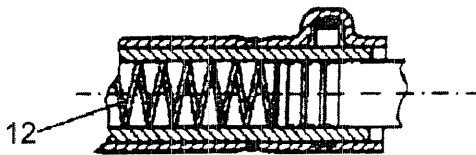


DETAIL X





DETAIL X



DETAIL Y

