

TEMPORARY REVISION

AMM-TR-MÄM 20-475

New Fire Extinguisher

This Temporary Revision AMM-TR-MÄM 20-475 is approved in conjunction with the Mandatory Design Change Advisory MÄM 20-475 and is valid in conjunction with the Airplane Maintenance Manual (AMM) until this Temporary Revision has been incorporated into the AMM.

The limitations and information contained herein either supplement or, in the case of conflict, override those in the AMM.

The technical information contained in this document has been approved under the authority of DOA No. EASA.21J.052.

Doc. No.	Section	Affected Pages
4.02.02	03-00-00	4a, 4aa
	05-00-00	2a, 2aa
	05-10-00	1a, 2a
	05-20-00	20a, 20aa
	26-TITLE	1, 2
	26-CONTENTS	1, 2
	26-00-00	1, 2, 3, 4

Instruction

- Print this document on yellow paper (double-sided).
- Insert this cover page as the first page of the AMM.
- Insert the other pages of this Temporary Revision adjacent to or in front of the corresponding AMM pages.

Intentionally left blank

AFFECTED CHAPTERS:

CHAPTER 3
GENERAL DESCRIPTION OF THE AIRPLANE

3. Vendor Documentation

Fire Extinguisher:	Amerex A620T or Amerex 337TS
Supplier:	Amerex Corporation 7595 Gadsden Highway Trussville, AL 35173 USA
	Phone No.: +120-56553271
	Website: www.amerex-fire.com

Intentionally left blank

CHAPTER 05
TIME LIMITS / MAINTENANCE CHECKS
(INSPECTION INTERVALS)

1. General

A. Referenced Maintenance Data

The following item is added to the existing list:

Supplier	Document Name	Document No.
Amerex Corp.	Owners Service Manual, Installation, Operating & Servicing Instructions	05602

Intentionally left blank

Section 05-10
TIME LIMITS

1. Time Limits for Equipment

The following item is added to the existing list:

Component	TBO
Fire extinguisher Amerex A620T	in accordance with applicable documents of manufacturer (Refer to Owners Service Manual Installation, Operating & Servicing Instructions, latest revision).

2. Time Limits for Parts

The following item is added to the existing list:

Component	Replacement Time	
	hrs.	yrs.
Fire extinguisher Amerex 337TS	12 years after production date as shown on the label of the fire extinguisher.	

Section 05-20-00
Scheduled Maintenance Checks

3. 100, 200, and 1000 Hour Inspection Checklist

A. INSPECTION CHECKLIST DV 20 KATANA

(4) Cabin

The following item is added to the existing list:

CABIN		Flight Hours			
	Inspection Items	100	200	1000	Initials
24.	Examine the fire extinguisher: – Make sure that the fire extinguisher will release from the fire extinguisher mount. – Look for physical damage, corrosion, leakage or clogged nozzle. – Examine the fire extinguisher label for damage. – Make sure that the tamper seal is not broken. – Make sure that the container of the fire extinguisher is full: – Use the pressure gauge to examine the pressure. The pressure must be in the green arc. – If the fire extinguisher Amerex 337TS (MÄM 20-475) is installed: Examine the weight of the fire extinguisher. Refer to the maintenance description on the fire extinguisher label. Refer to Section 26-00.	X	X	X	

Intentionally left blank

The following chapter is added:

I

I

CHAPTER 26

FIRE PROTECTION

I

Intentionally left blank

TABLE OF CONTENTS

**CHAPTER 26
FIRE PROTECTION**

1.	General	1
2.	Description	3
3.	Replacement of the Fire Extinguisher Amerex 337TS	4

I

Intentionally left blank

CHAPTER 26
FIRE PROTECTION

1. General

This Chapter tells you about the fire extinguisher installed in the airplane. There are two approved fire extinguishers for the DV 20:

– Amerex A620T

The fire extinguisher Amerex A620T uses a siliconized sodium bicarbonate based dry chemical.

– Amerex 337TS

The fire extinguisher Amerex 337TS uses a Halocarbon Clean Agent named Halotron BrX.

See the fire extinguisher manufacturer's manual for more data about the fire extinguisher.

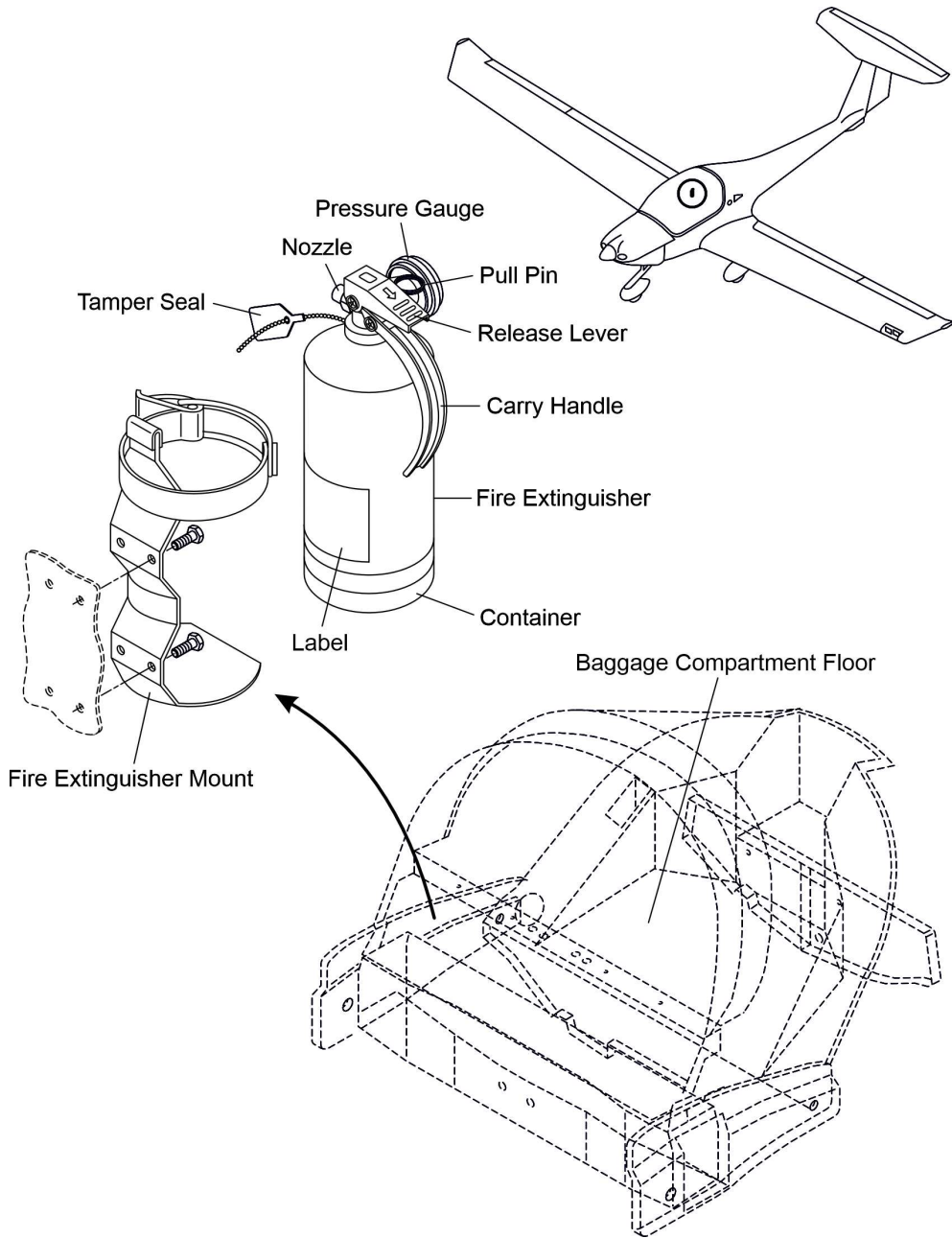


Figure 1: Fire Extinguisher Installation

2. Description

Figure 1 shows the installation of the fire extinguisher in the airplane. The fire extinguisher is located in the baggage compartment behind the co-pilot's seat. Four screws attach the fire extinguisher mount to the recess of the baggage compartment.

3. Replacement of the Fire Extinguisher Amerex 337TS

Detail Steps/Work Items		Key Items/References
(1)	Weigh the new fire extinguisher Amerex 337TS without the fire extinguisher mount.	This weight is the initial weight. Refer to Figure 1.
(2)	Record the initial weight on the bottom of the new fire extinguisher with two decimal places (for example: 1.34 kg (2.95 lb)).	Use a permanent black marker.

I

Intentionally left blank