

# SUPPLEMENTAL AIRPLANE MAINTENANCE MANUAL

## DA62

### N022 – OPERATION IN CHINA

This Supplemental AMM is approved in conjunction with the National Design Change Advisory NAM 62-022 and is valid in conjunction with the basic Airplane Maintenance Manual (AMM).

The limitations and information contained herein either supplement or in case of conflict, override those in the AMM.

**Doc. No.** : 7.02.25-N022

**Date of Issue** : 23-NOV-2018

**Design Change Advisory** : NÄM 62-022

This document must be carried in the Airplane Maintenance Manual (AMM) at all times. It describes the maintenance procedures.

The technical information contained in this document has been approved under the authority of DAO#17-O-01.

Intentionally left blank

**TABLE OF CONTENTS**

**CHAPTER 11  
PLACARDS AND MARKINGS**

**Section 11-20  
Exterior Placards and Markings**

1. **General.....1**

**Section 11-30  
Interior Placards and Markings**

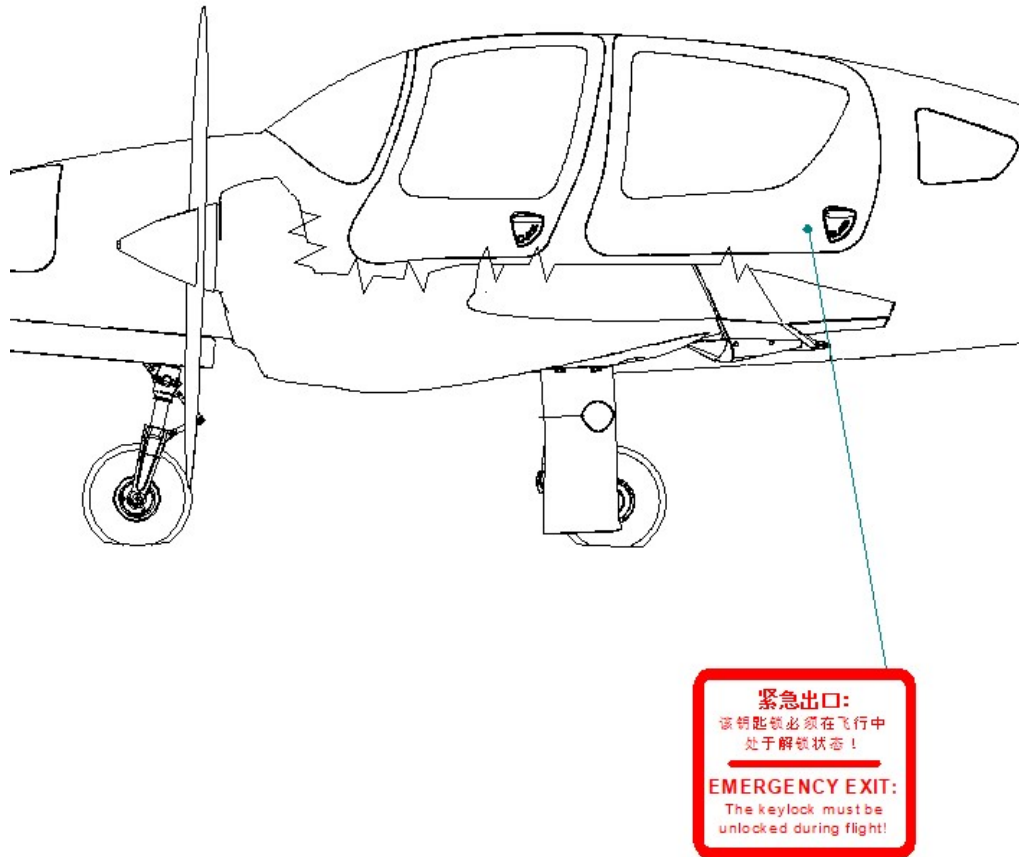
2. **Description.....1**

Intentionally left blank

**CHAPTER 11**  
**PLACARDS AND MARKINGS**  
**Section 11-20**  
**Exterior Placards and Markings**

**1. Description**

If NAM 62-022 is carried out, the placards of this Supplement replace the corresponding placards in English. Placards not shown in the Figure below remain valid as shown in the basic AMM.



**FIGURE 1 – EXTERIOR PLACARDS (CHINA VERSION)**

**Section 11-30****Interior Placards and Markings****2. Description**

If NAM 62-022 is carried out, the placards of this Supplement replace the corresponding placards in English. Placards not shown in the Figure below remain valid as shown in the basic AMM.

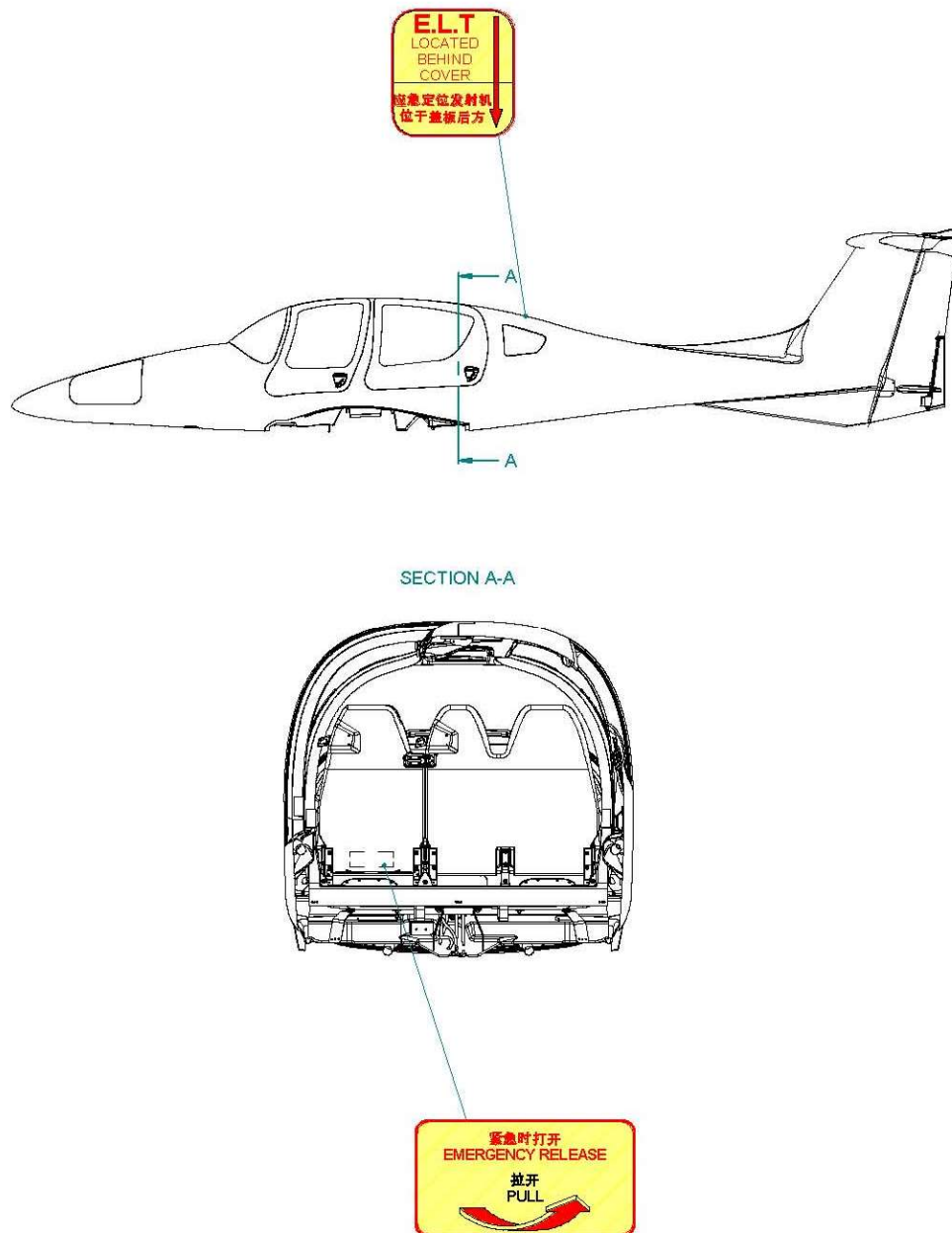


FIGURE 1: INTERIOR PLACARDS AND MARKINGS (CHINA VERSION)