



SUPPLEMENT 0008 REMOVEABLE RH CONTROL STICK

AFMS-0008

Doc No.: 9.01.01-0008

The technical content of this document has been approved under the authority of the DOA
ref. EASA.21J.052.

TABLE OF CONTENTS

Subject	Page
01 - General	01-1
01-01 -Supplement Introduction - Description	01-2
04 - Normal Operating Procedures	04-1
Checklists for Normal Operating Procedures	04-2
04-01 -Pre-Flight Inspection - Cabin Check - Pre-operation procedure	04-3
04-02 -Removable RH Control Stick - Pre-operation procedure	04-4
07 - Description of the Airplane and its Systems	07-1
Flight Controls	07-2
07-01 -Removable RH Control Stick - Description	07-3

LIST OF EFFECTIVE DATA MODULES

Document title	Data Module Code	Issue date
Supplement Introduction - Description	DA50O008- A-00-40-00-03A-040A-D	11-03-2021
Pre-Flight Inspection - Cabin Check - Pre-operation procedure	DA50O008- A-15-33-00-01A-121A-D	11-03-2021
Removable RH Control Stick - Pre-operation procedure	DA50O008- A-27-00-00-04A-121A-D	19-03-2021
Removable RH Control Stick - Description	DA50O008- A-27-00-00-04A-040A-D	11-03-2021

LIST OF FIGURES

Figure	Title	Page
07 - Description of the Airplane and its Systems		
Flight Controls		
1	Removable RH Control Stick	07-4
2	Removable RH Control Stick with Gaiter removed	07-6
3	Removable RH Control Stick removed	07-8

01
GENERAL

01-01 Supplement Introduction

Description

1 General

This Supplement supplies the information necessary for operation of a DA 50 C with the removable control stick. It provides information for the pilot to remove and install a RH removeable control stick.

The information contained in this Supplement is to be used in conjunction with the complete AFM. The limitations and information contained herein either supplement or, in the case of conflict, override those in the Airplane Flight Manual.

This Supplement is a permanent part of this AFM and must remain in this AFM at all times if OÄM 50-035 is implemented.

04
NORMAL OPERATING PROCEDURES

CHECKLISTS FOR NORMAL OPERATING PROCEDURES

04-01 Pre-Flight Inspection - Cabin Check
Pre-operation procedure

1 Pre-Flight Inspection - Cabin Check

If the control stick is removed:

A RH Stick cover.....installed

NOTE

If the control stick is needed for the intended operation the control stick must be installed (refer to [DA50O008-A-27-00-00-04A-720A-D](#)).

04-02 Removable RH Control Stick

Pre-operation procedure

1 Removable RH Control Stick

Remove the Removable RH Control Stick

WARNING

MAKE SURE THAT NO FOREIGN OBJECTS CAN FALL INTO THE CONTROL STICK MECHANISM AND THE CONTROL STICK GAITER DOES NOT INTERFERE WITH THE CONTROL STICK MECHANISM.

Open the leather gaiter.

- B Remove the control stick gaiter and the removable RH control stick by turning the sleeve nut counterclockwise.
- C Install the dust cap to the connector thread by turning clockwise.
- D Install the control stick cover.
- E Make sure that the control stick cover is tightly closed in order to avoid interference of the control stick mechanism with foreign objects.
- F Check the elevator and aileron controls with the remaining control stick for free and full range of movement.

Install the Removable RH Control Stick

WARNING

MAKE SURE THAT NO FOREIGN OBJECTS CAN FALL INTO THE CONTROL STICK MECHANISM AND THE CONTROL STICK GAITER DOES NOT INTERFERE WITH THE CONTROL STICK MECHANISM.

Remove the control stick cover.

- B Remove the dust cap from the connector thread by turning counterclockwise.
- C Install the removable RH control stick and tighten the sleeve nut by turning it clockwise and tighten the sleeve nut hand tight.
- D Install the control stick gaiter to the control stick and secure it.

- E Check the control sticks for free and full range of movement.
- F Check the PTT button and the autopilot disconnection for proper function.

07
**DESCRIPTION OF THE AIRPLANE AND ITS
SYSTEMS**

FLIGHT CONTROLS

07-01 Removable RH Control Stick

Description

1 Control Sticks

If OÄM 50-035 is installed, the RH control stick can be removed by the pilot. The leather gaiter must be replaced by the control stick cover in order to prevent interference with the flight controls.

The installation of the control stick may also be performed by the pilot. Refer to [DA50008-A-27-00-00-04A-720A-D](#) for more details about the procedures.

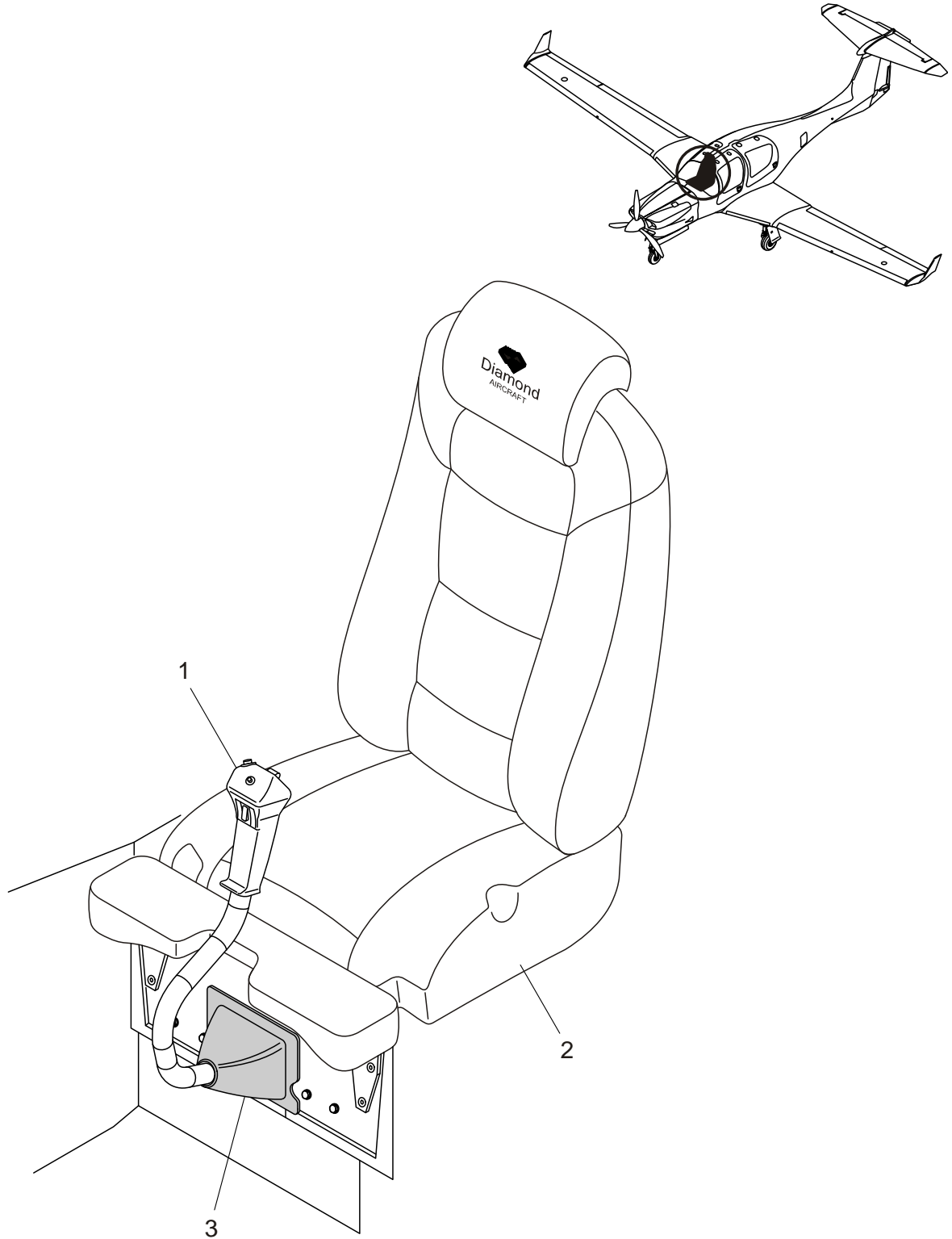


Figure 1 - Removable RH Control Stick

Legend

- [1, Fig.1] Removable Control Stick
- [2, Fig.1] RH Pilot's Seat
- [3, Fig.1] Gaiter

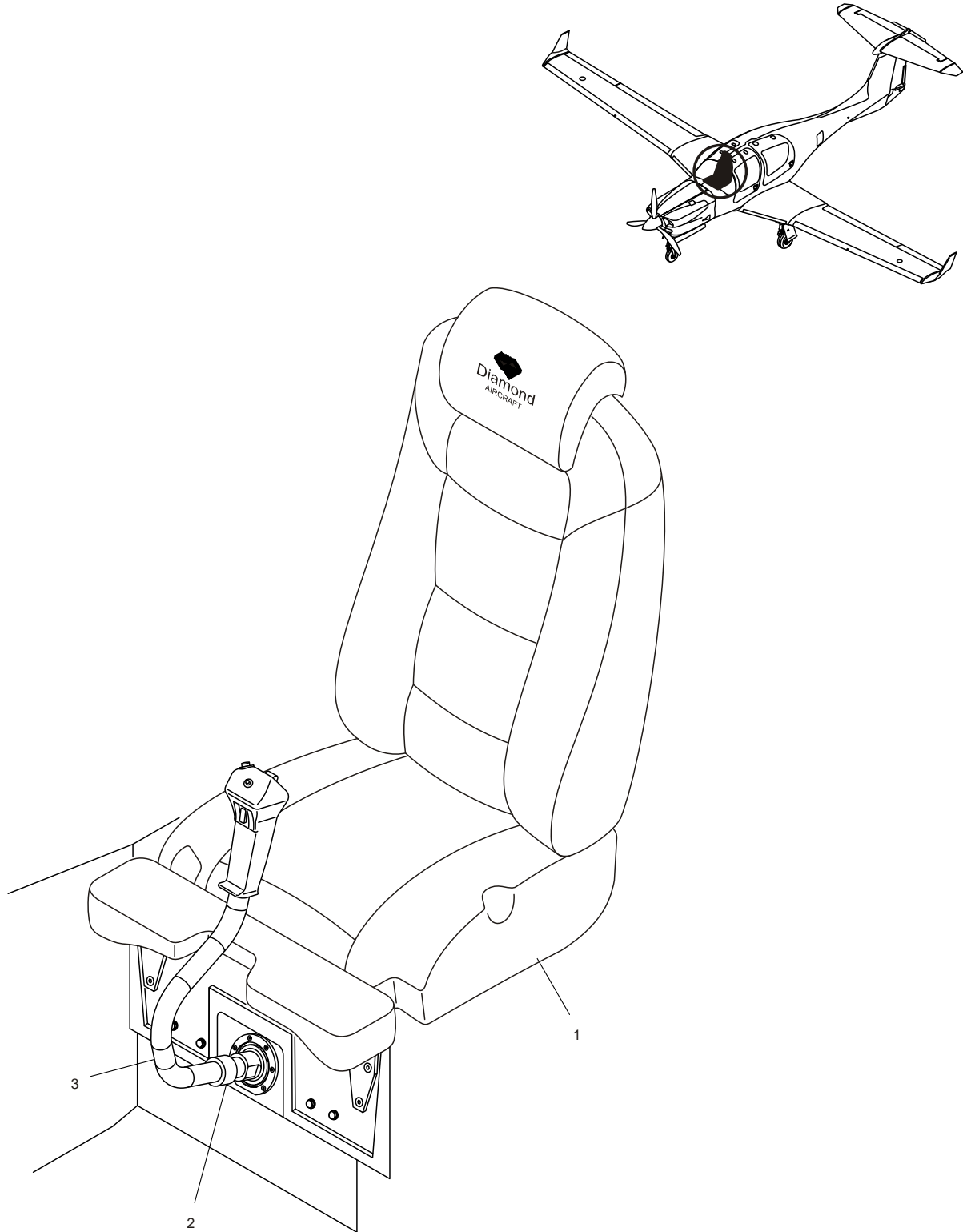


Figure 2 - Removable RH Control Stick with Gaiter removed

Legend

- [1, Fig.2] RH Pilot's Seat
- [2, Fig.2] Fastening Nut
- [3, Fig.2] Control Stick Assy

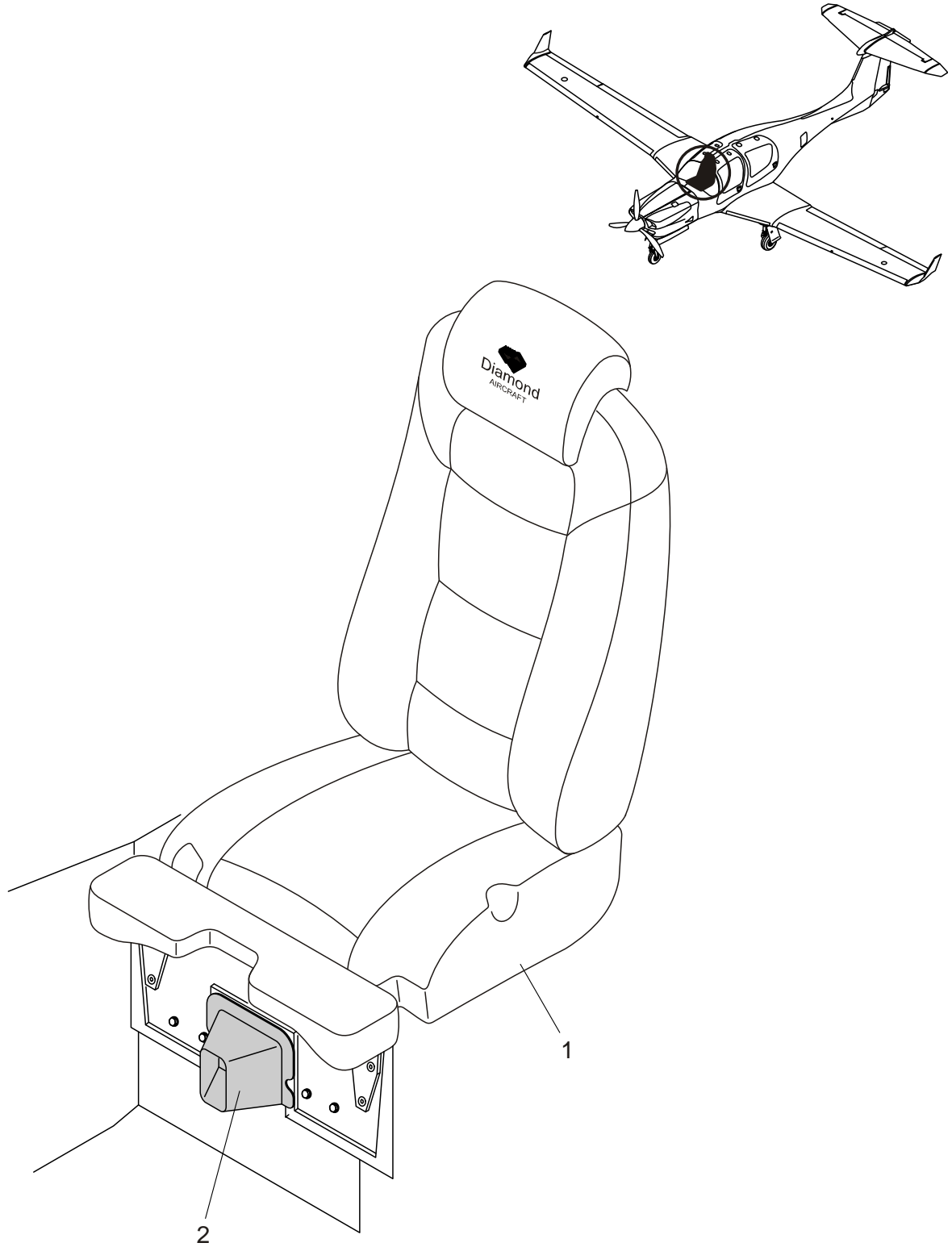


Figure 3 - Removable RH Control Stick removed

Legend

[1, Fig.3] RH Pilot's Seat

[2, Fig.3] Cover