

MANDATORY SERVICE BULLETIN

MSB 42-112/1

supersedes MSB 42-112

I TECHNICAL DETAILS

I.1 Category

Mandatory.

I.2 Airplanes affected

Type: DA 42, DA 42 M
Serial numbers: 42.004 through 42.427
42.AC001 through 42.AC153
42.M001 through 42.M027

I.3 Date of effectivity

10-Feb-2015

I.4 Time of Compliance

Within 200 flight hours from the date of effectivity, but not later than 31-Jan-2016.

I.5 Subject

Replacement of the aluminum turbo charger clamp with a steel clamp.

ATA-Code: 81-00

I.6 Reason

There have been cases of broken aluminum turbo charger clamps which connects the charged air tube to the turbo charger outlet which lead to a power loss situation. To prevent such situations, an improved steel turbo charger clamp was certified as a direct replacement to the aluminum clamp. This Service Bulletin describes the work necessary to install the improved turbo charger clamp.

I.7 Concurrent Documents

None.

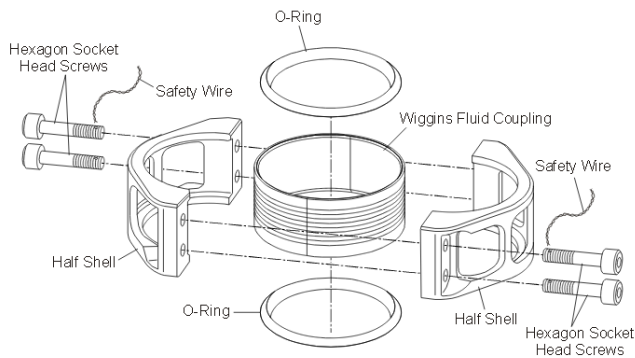
I.8 Approval

The technical information or instructions contained in this document relate to the Design Change Advisory No. MÄM 42-879, which has been approved under the authority of EASA Design Organization Approval ref. EASA.21J.052.

The technical content of this document has been approved under the authority of DOA ref. EASA.21J.052.

I.9 Accomplishments / Instructions

1. Make sure, that AMM-TR-MÄM-42-879 is inserted into the Airplane Maintenance Manual.
2. Replace the aluminum Clamp with the steel Turbo Charger Clamp D4D-9081-26-05 i.a.w. AMM Section 81-00.



3. Clean working area and check for foreign objects.
4. Perform functional check of electric systems.
5. Make necessary entries into aircraft logs.
6. After the installation of the new turbo charger clamp, do not re-install the aluminum turbo charger clamp.

I.10 Mass (Weight) and CG

The change in mass and CG is negligible.

II PLANNING INFORMATION

II.1 Material and Availability

Quantity	Part Number	Description
4	D4D-9081-26-05 or 05-7241-K0215 02	Turbo Charger Clamp Halve Shell
2	D4D-9081-26-07 or NM-0000-02133 01	Turbo Charger Clamp Sleeve
4	FCO 24 V or NM-0000-00228 01	O-Ring, Viton
8	D4D-9081-26-06 or 05-7241-K0217 01	Turbocharger Clamp Bolt

Material is available from Technify Motors GmbH.

II.2 Special Tools

None.

II.3 Labour Effort

Approx. 2 hour.

II.4 Credit

None.

II.5 Reference Documents

DA 42 Series Airplane Maintenance Manual, Doc. No. 7.02.01, latest effective issue.

III REMARKS

1. All work must be done by a certified aircraft service station or a certified aircraft maintenance mechanic.
2. All work, in particular that which is not especially described in this Service Bulletin, must be done in accordance with the referenced Maintenance Manual.
3. Completion of all work must be recorded in the log book.
4. In case of doubt contact Diamond Aircraft Industries GmbH.

**EXECUTION REPORT TO
SERVICE BULLETIN
MSB 42-112/1**

AIRPLANE INFORMATION

Airplane Serial Number _____

Airplane Registration _____

Airplane Operator _____

Hours of operation of airplane _____

No. of landings _____

Hours of operation-engine LH _____

RH _____

Typical operation of airplane private, club, training, other _____

Date, Name, SignPlease fax the completed form to Fax No. +43-2622-26700-1369 or e-mail to
airworthiness@diamond-air.at