

# OPTIONAL SERVICE BULLETIN

## OSB 42-105

## OSB 42NG-044

### **I TECHNICAL DETAILS**

#### **I.1 Category**

Optional.

#### **I.2 Airplanes affected**

Type: DA 42, DA 42 M, DA42 NG, DA 42 M-NG

Serial numbers: 42.004 and subsequent  
42.AC001 and subsequent  
42.M001 and subsequent  
42.MN001 and subsequent  
42.N001 and subsequent  
42.NC001 and subsequent

#### **I.3 Date of effectivity**

02-Dec-2014

#### **I.4 Time of Compliance**

At owner's discretion.

#### **I.5 Subject**

Installation provisions for a safety mesh to protect the fuel vent covers into the wings.

#### **I.6 Reason**

Installation provisions for a safety mesh to protect the fuel vent covers to avoid that small insects enter through the fuel vent holes while the airplane is parked on ground.

#### **I.7 Concurrent Documents**

None.

#### **I.8 Approval**

The technical information or instructions contained in this document relate to the Design Change Advisory No. OÄM 42-275, which has been approved under the authority of EASA Design Organization Approval ref. EASA.21J.052.

The technical content of this document has been approved under the authority of DOA ref. EASA.21J.052.

**I.9 Accomplishments / Instructions**

Drill holes in the fuel vent cover system, install the camlocs and retaining nuts i.a.w. drawing D60-5741-00-00X02 (LH) and D60-5742-00-00X02 (RH).

**I.10 Mass (Weight) and CG**

None.

**II PLANNING INFORMATION****II.1 Material and Availability**

QUANTITY	PART NUMBER	DESCRIPTION
2	D60-5741-17-00-SP	fuel vent safety cover
4	99N10-01A1	retaining nut
4	99E10-01	camloc receptacle

**II.2 Special Tools**

None.

**II.3 Labour Effort**

Approx. 2 hours.

**II.4 Credit**

None.

**II.5 Reference Documents**

DA 42 Airplane Maintenance Manual, Doc. No. 7.02.01, latest effective issue.

DA 42 NG Airplane Maintenance Manual, Doc. No. 7.02.15, latest effective issue.

**III REMARKS**

1. All work must be done by a certified aircraft service station or a certified aircraft maintenance mechanic.
2. All work, in particular that, which is not especially described in this Service Bulletin, must be done in accordance with the referenced Maintenance Manual.
3. Completion of all work must be recorded in the log book.
4. In case of doubt contact Diamond Aircraft Industries GmbH.

**EXECUTION REPORT TO  
SERVICE BULLETIN  
OSB 42-105  
OSB 42NG-044**

## AIRPLANE INFORMATION

Airplane Serial Number \_\_\_\_\_

Airplane Registration \_\_\_\_\_

Airplane Operator \_\_\_\_\_

Hours of operation of airplane \_\_\_\_\_

No. of landings \_\_\_\_\_

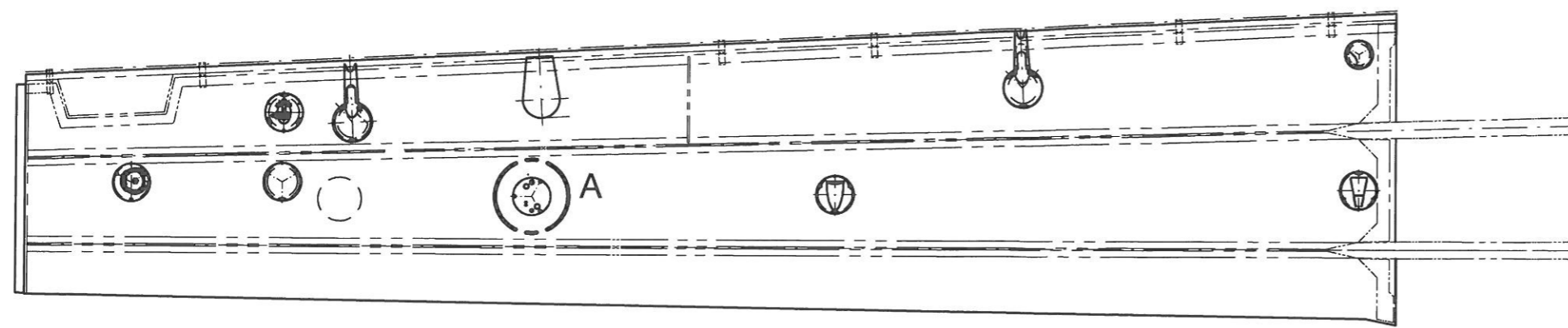
Hours of operation-engine LH \_\_\_\_\_

RH \_\_\_\_\_

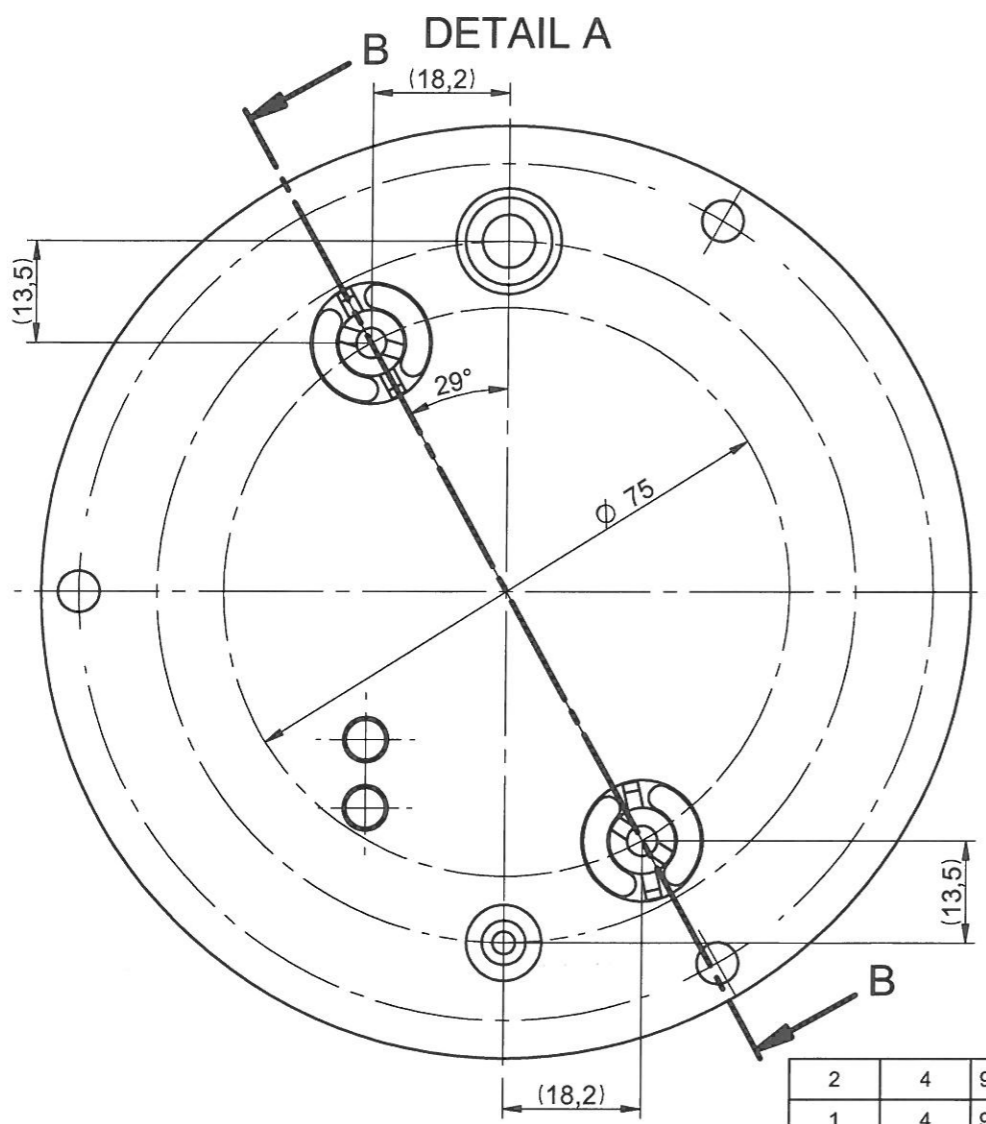
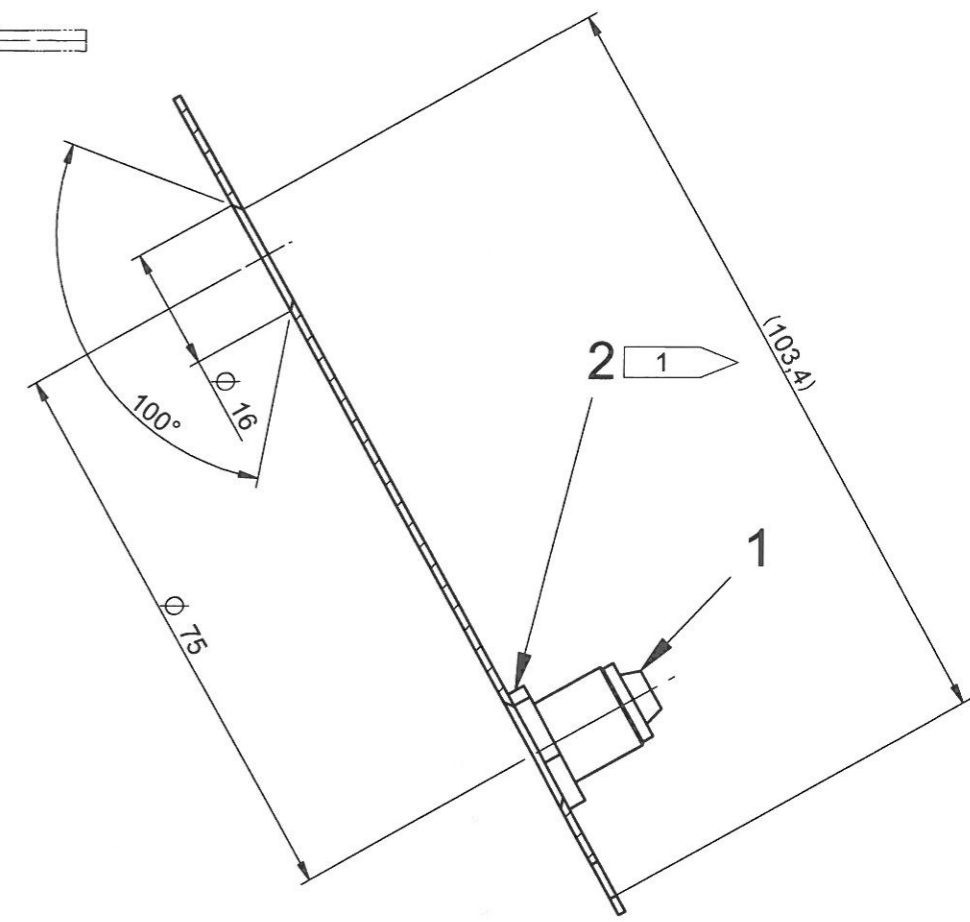
Typical operation of airplane private, club, training, other \_\_\_\_\_

\_\_\_\_\_  
Date, Name, SignPlease fax the completed form to Fax No. +43-2622-26700-1369 or e-mail to  
airworthiness@diamond-air.at

REVISION					
REV	SH	ZONE	DESCRIPTION	DATE	APPROVAL
-	01	ALL	OÄM 42-275 NEW DRAWING, DOES NOT SUPERSEDE ANOTHER DRAWING.	06.10.2014	SEE TB



SECTION B-B



FLAG NOTES

1 → SECURE USING THICKENED RESIN.

GENERAL NOTES

1. PERFORM ON LH AND RH WING.

ITEM	QTY	PART NUMBER	DESCRIPTION	MATERIAL TYPE	H.T.	MATERIAL SIZE	SPECIFICATION	REMARK
2	4	99N10-01A1	RETAINING NUT					
1	4	99E10-01	CAMLOC RECEPTACLE					CAMLOC

DIMENSIONS <b>METRIC</b> FIRST ANGLE PROJECTION UNLESS OTHERWISE SPECIFIED DIMENSIONS ARE IN MM DIMENSION TOLERANCES 2 DECIMAL ±0,25 1 DECIMAL ±0,5 DECIMAL ±1 ANGLE ±1° RAD ±0,5 FINISH IN MICRO-METER		IDENTIFICATION MARKINGS <b>DP-S-17-00001</b> CLASSIFICATION: <b>NONE</b> INTERCHANGEABLE PART <b>NO</b> THIS DRAWING WAS PRODUCED USING SOFTWARE: <b>SOLID EDGE ST6</b> FILENAME <b>D60-5741-00-00X02.dft</b>		 <b>Diamond Aircraft Industries GmbH</b> DEPARTMENT DRAWN: <b>S. Posch</b> CHECKED: <b>M. Scheikl</b> QA: <b>N/A</b> STRESS: <b>N/A</b> MANUF.: <b>N/A</b> SYSTEM: <b>M. Volck</b> APPROVED: <b>M. Scheikl</b>		Diamond Aircraft Industries N. A. Otto-Straße 5 A-2700 Wiener Neustadt PROJECT <b>DA 42</b> TITLE <b>PROVISIONS FOR FUEL VENT COVER INSTALLATION LH/RH</b> DWG.ORIG. <b>DAIA</b> DWG.NO. <b>D60-5741-00-00X02</b> <b>D60-5742-00-00X02</b> CODE <b>710197</b> SCALE 1:20, 1:1 SH <b>01 01</b>	
--	--	--	--	---	--	--	--

ALL RIGHTS RESERVED FOR THIS DOCUMENT WHICH MAY NOT BE REPRODUCED OR DISCLOSED TO THIRD PARTIES WITHOUT THE PRIOR WRITTEN CONSENT OF DIAMOND AIRCRAFT INDUSTRIES