

OPTIONAL SERVICE BULLETIN

OSB 42-127/1

OSB 42NG-067/1

Supersedes OSB 42-127 and OSB 42NG-067

I TECHNICAL DETAILS

I.1 Category

Optional.

I.2 Airplanes affected

Type: DA 42, DA 42 M, DA 42 NG, DA 42 M-NG
Serial numbers: 42.004 through 42.427,
42.AC001 through 42.AC151,
42.M001 through 42.M026,
42.N001 through 42.N067,
42.N100 through 42.N133,
42.NC001 through 42.NC008,
42.MN001 through 42.MN032

I.3 Date of effectivity

30-Mar-2017

I.4 Time of Compliance

At owner's discretion.

I.5 Subject

Installation of new Landing Gear Hydraulic Pump Pressure Switch Plug.

ATA-Code: 29-10

I.6 Reason

This Service Bulletin describes the installation of the Hydraulic Pump Pressure Switch plug for aircraft already in service.

A new Hydraulic Pump Pressure Switch with a different plug has been introduced with hydraulic control block S/N 0784.

When a hydraulic control block with S/N up to 0783 is replaced by a block with S/N 0784 and subsequent the plug of the Hydraulic Pump Pressure Switch must be replaced.

I.7 Concurrent Documents

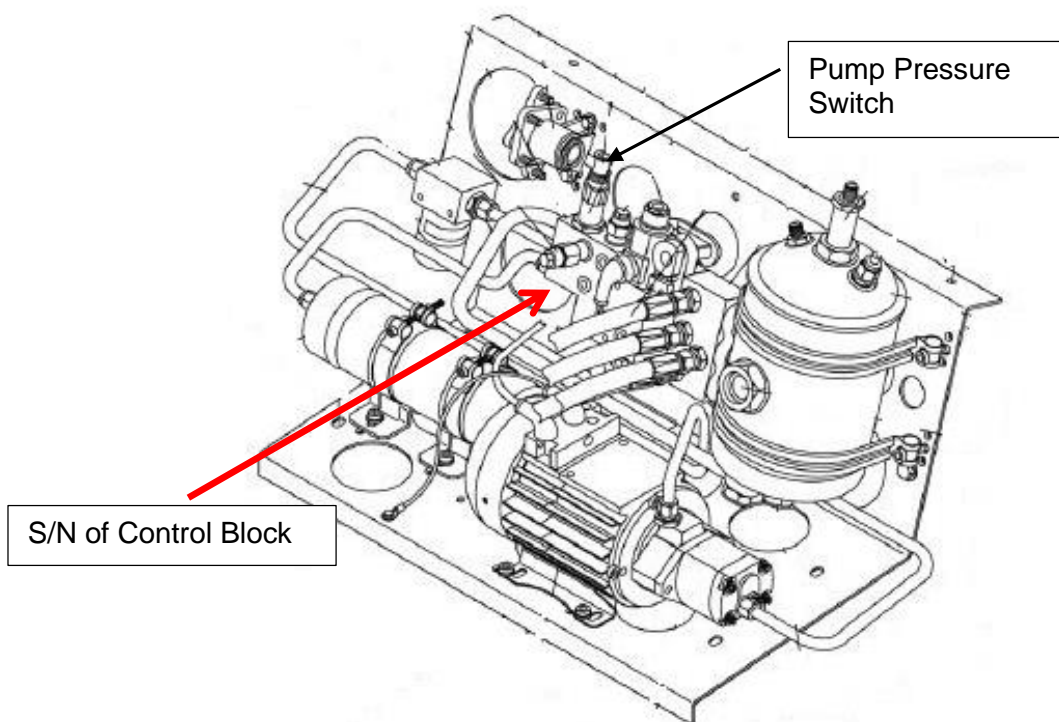
None.

I.8 Approval

The technical content of this document has been approved under the authority of DOA ref. EASA.21J.052.

I.9 Accomplishments / Instructions

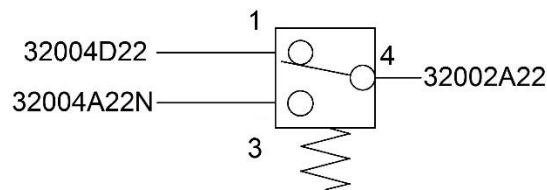
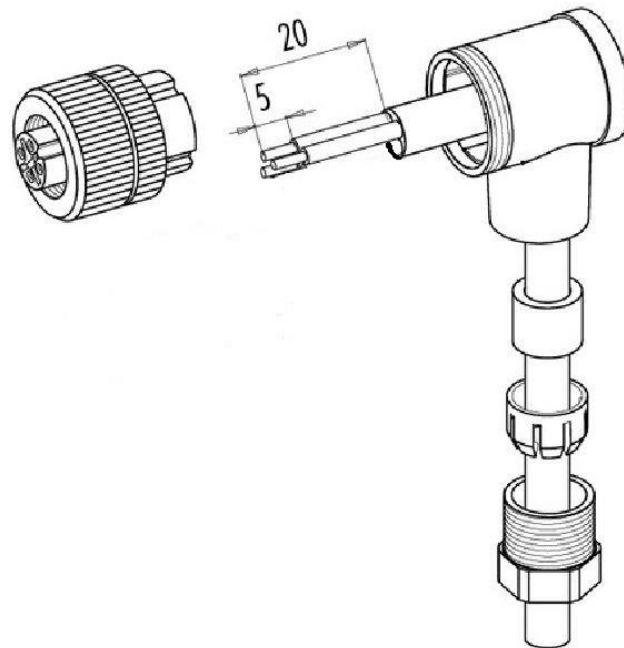
Do the following work steps when you replace the hydraulic control block X11-0003-00-00.00 with S/N up to 0783 by a block with S/N 0784 and subsequent.



Position of Hydraulic control block serial number

1. Remove the M18x1 female plug from the pump pressure switch and disconnect the plug from the hydraulic control block harness.

2. Prepare the harness and connect i.a.w. figure below.



3. Connect the M12x1 plug on the hydraulic pump pressure switch.
4. If necessary, fill the hydraulic reservoir with fluid i.a.w AMM Section 29-10.
5. If necessary, charge the hydraulic accumulator with Nitrogen.
6. Bleed the hydraulic system i.a.w. AMM Section 29-10.
7. Do a test for the correct operation of the landing gear extension and retraction system i.a.w. Section 32-30.
8. Do a test for the correct operation of the emergency extension system i.a.w. AMM Section 32-30

I.10 Mass (Weight) and CG

None.

II PLANNING INFORMATION

II.1 Material and Availability

P/N: X11-0003-RKCW 4/7 Female right angel connector M12

II.2 Special Tools

None.

II.3 Labour Effort

Approx. 0.5 hours

II.4 Credit

None.

II.5 Reference Documents

DA 42 Airplane Maintenance Manual, Doc. No. 7.01.15, latest effective issue.

III REMARKS

1. All work must be done by a certified aircraft service station or a certified aircraft maintenance mechanic.
2. All work, in particular that which is not especially described in this Service Bulletin, must be done in accordance with the referenced Maintenance Manual.
3. Completion of all work must be recorded in the log book.
4. In case of doubt contact Diamond Aircraft Industries GmbH.

**EXECUTION REPORT TO
SERVICE BULLETIN
OSB 42-127/1
OSB 42NG-067/1**

AIRPLANE INFORMATION

Airplane Serial Number _____

Airplane Registration _____

Airplane Operator _____

Hours of operation of airplane _____

No. of landings _____

Hours of operation-engine LH _____

RH _____

Typical operation of airplane private, club, training, other _____

Date, Name, SignPlease send the completed form via e-mail to executionreports@diamond-air.at