

OPTIONAL SERVICE BULLETIN

OSB 42-105

OSB 42NG-044

I TECHNICAL DETAILS

I.1 Category

Optional.

I.2 Airplanes affected

Type: DA 42, DA 42 M, DA42 NG, DA 42 M-NG

Serial numbers: 42.004 and subsequent
42.AC001 and subsequent
42.M001 and subsequent
42.MN001 and subsequent
42.N001 and subsequent
42.NC001 and subsequent

I.3 Date of effectivity

02-Dec-2014

I.4 Time of Compliance

At owner's discretion.

I.5 Subject

Installation provisions for a safety mesh to protect the fuel vent covers into the wings.

I.6 Reason

Installation provisions for a safety mesh to protect the fuel vent covers to avoid that small insects enter through the fuel vent holes while the airplane is parked on ground.

I.7 Concurrent Documents

None.

I.8 Approval

The technical information or instructions contained in this document relate to the Design Change Advisory No. OÄM 42-275, which has been approved under the authority of EASA Design Organization Approval ref. EASA.21J.052.

The technical content of this document has been approved under the authority of DOA ref. EASA.21J.052.

I.9 Accomplishments / Instructions

Drill holes in the fuel vent cover system, install the camlocs and retaining nuts i.a.w. drawing D60-5741-00-00X02 (LH) and D60-5742-00-00X02 (RH).

I.10 Mass (Weight) and CG

None.

II PLANNING INFORMATION**II.1 Material and Availability**

QUANTITY	PART NUMBER	DESCRIPTION
2	D60-5741-17-00-SP	fuel vent safety cover
4	99N10-01A1	retaining nut
4	99E10-01	camloc receptacle

II.2 Special Tools

None.

II.3 Labour Effort

Approx. 2 hours.

II.4 Credit

None.

II.5 Reference Documents

DA 42 Airplane Maintenance Manual, Doc. No. 7.02.01, latest effective issue.

DA 42 NG Airplane Maintenance Manual, Doc. No. 7.02.15, latest effective issue.

III REMARKS

1. All work must be done by a certified aircraft service station or a certified aircraft maintenance mechanic.
2. All work, in particular that, which is not especially described in this Service Bulletin, must be done in accordance with the referenced Maintenance Manual.
3. Completion of all work must be recorded in the log book.
4. In case of doubt contact Diamond Aircraft Industries GmbH.

**EXECUTION REPORT TO
SERVICE BULLETIN
OSB 42-105
OSB 42NG-044**

AIRPLANE INFORMATION

Airplane Serial Number _____

Airplane Registration _____

Airplane Operator _____

Hours of operation of airplane _____

No. of landings _____

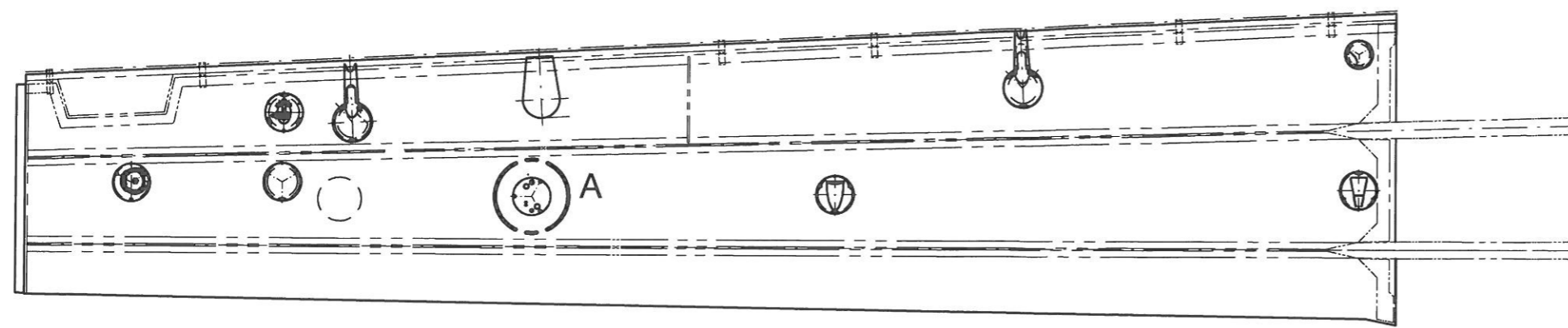
Hours of operation-engine LH _____

RH _____

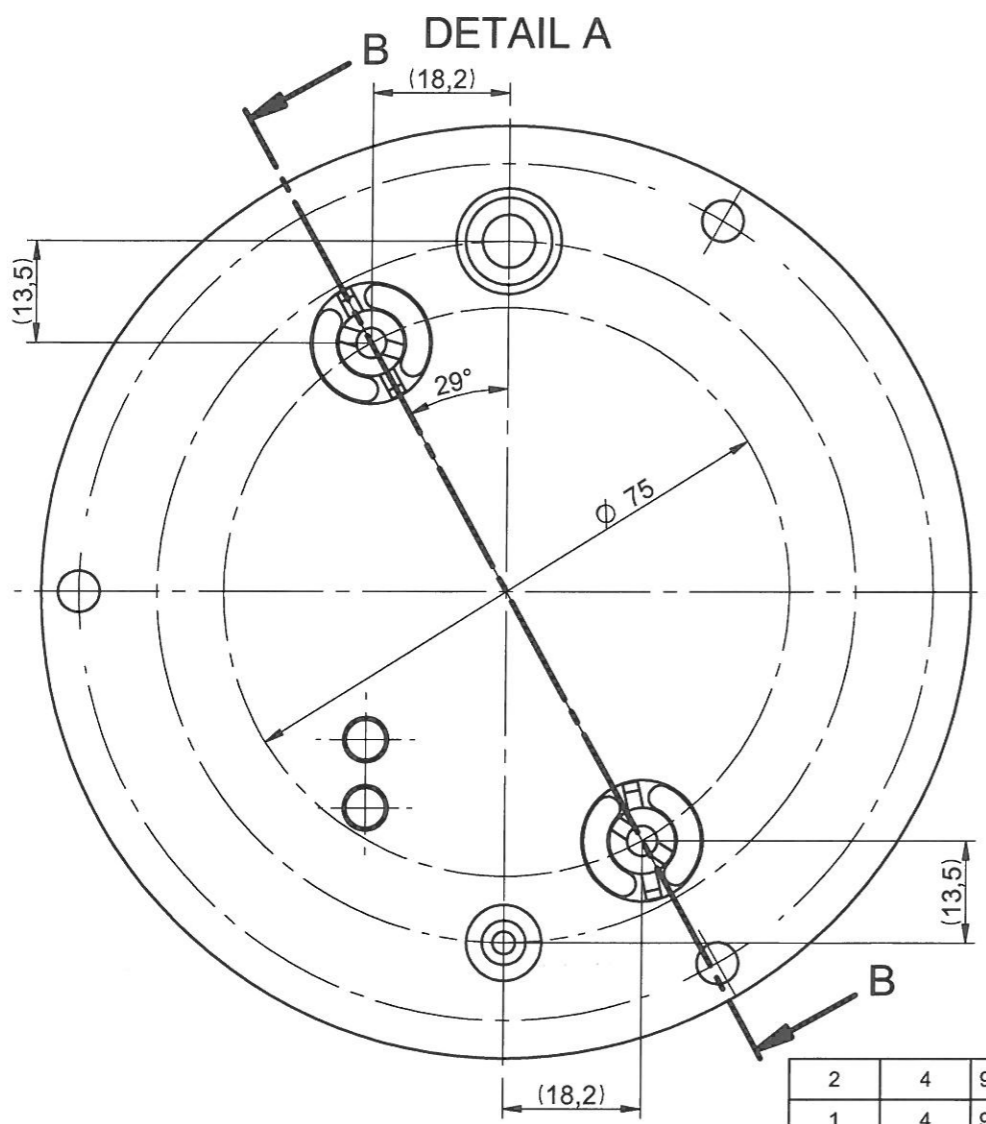
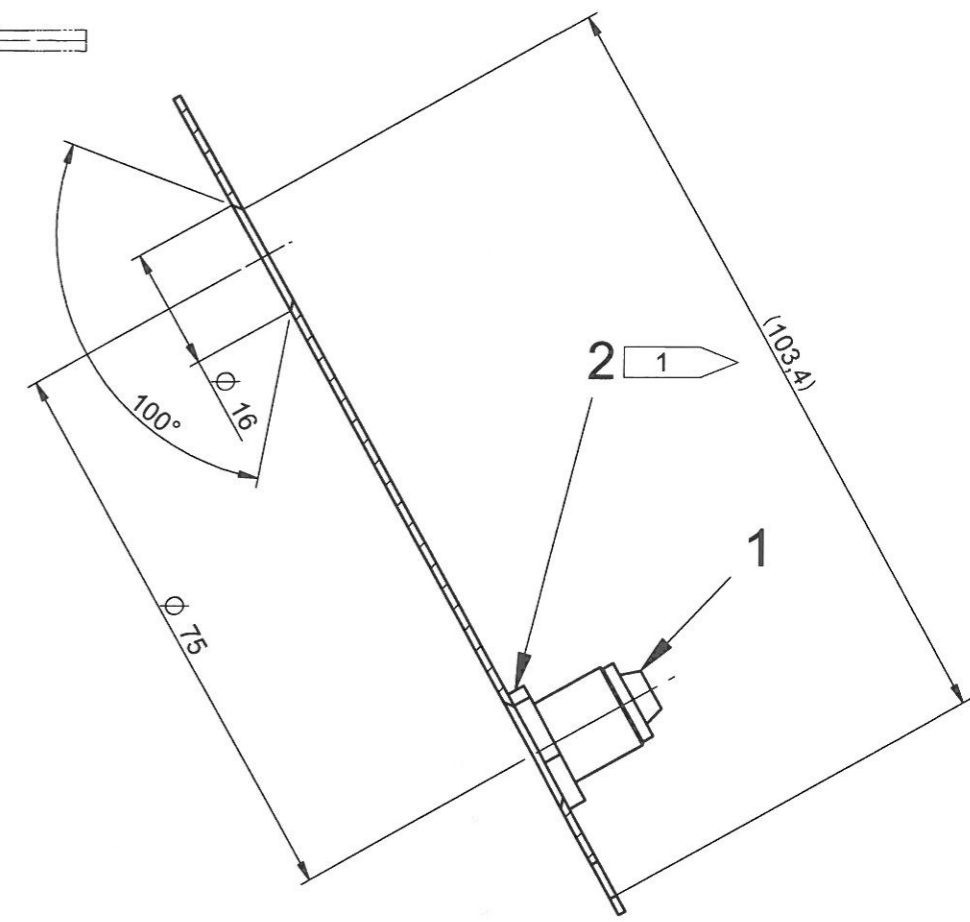
Typical operation of airplane private, club, training, other _____

Date, Name, SignPlease fax the completed form to Fax No. +43-2622-26700-1369 or e-mail to
airworthiness@diamond-air.at

REVISION					
REV	SH	ZONE	DESCRIPTION	DATE	APPROVAL
-	01	ALL	OÄM 42-275 NEW DRAWING, DOES NOT SUPERSEDE ANOTHER DRAWING.	06.10.2014	SEE TB



SECTION B-B



FLAG NOTES

1 → SECURE USING THICKENED RESIN.

GENERAL NOTES

1. PERFORM ON LH AND RH WING.

ITEM	QTY	PART NUMBER	DESCRIPTION	MATERIAL TYPE	H.T.	MATERIAL SIZE	SPECIFICATION	REMARK
2	4	99N10-01A1	RETAINING NUT					
1	4	99E10-01	CAMLOC RECEPTACLE					CAMLOC

DIMENSIONS METRIC FIRST ANGLE PROJECTION UNLESS OTHERWISE SPECIFIED DIMENSIONS ARE IN MM DIMENSION TOLERANCES 2 DECIMAL ±0,25 1 DECIMAL ±0,5 DECIMAL ±1 ANGLE ±1° RAD ±0,5 FINISH IN MICRO-METER ✓		IDENTIFICATION MARKINGS DP-S-17-00001 CLASSIFICATION: NONE INTERCHANGEABLE PART NO THIS DRAWING WAS PRODUCED USING SOFTWARE: SOLID EDGE ST6 FILENAME D60-5741-00-00X02.dft	 Diamond Aircraft Industries GmbH DEPARTMENT DRAWN S. Posch CHECKED: M. Scheikl QA: N/A STRESS: N/A MANUF.: N/A SYSTEM: M. Volck APPROVED: M. Scheikl	Diamond Aircraft Industries N. A. Otto-Straße 5 A-2700 Wiener Neustadt SIGN DATE 05. NOV. 2014 05. NOV. 2014 05. NOV. 2014 05. NOV. 2014	PROJECT DA 42 TITLE PROVISIONS FOR FUEL VENT COVER INSTALLATION LH/RH DWG.ORIG. DAIA DWG.NO. D60-5741-00-00X02 D60-5742-00-00X02 CODE 710197 SCALE 1:20, 1:1 SH 01 01
--------------------------------------------------------------------------------------------------------------------------------------------------------------------------------------------------------------------------------------	--	---------------------------------------------------------------------------------------------------------------------------------------------------------------------------------------------------------------------------------------	------------------------------------------------------------------------------------------------------------------------------------------------------------------------------------------------------------------------------------------	------------------------------------------------------------------------------------------------------------------------------------------------------------------	------------------------------------------------------------------------------------------------------------------------------------------------------------------------------------------------------------------------------------------

ALL RIGHTS RESERVED FOR THIS DOCUMENT WHICH MAY NOT BE REPRODUCED OR DISCLOSED TO THIRD PARTIES WITHOUT THE PRIOR WRITTEN CONSENT OF DIAMOND AIRCRAFT INDUSTRIES