

MANDATORY SERVICE BULLETIN

MSB 42NG-033/2

supersedes MSB 42NG-033/1

I TECHNICAL DETAILS

I.1 Category

Mandatory.

I.2 Airplanes affected

Type: DA 42 NG, DA 42 M-NG
Serial numbers: 42.N001 through 42.N055
42.NC001 through 42.NC005
42.MN001 through 42.MN023

In addition airplanes converted to DA 42 NG via OSB 42-068 and airplanes converted to DA 42 M-NG via OSB 42-081 both using WI-OSB 42-068 up to revision 10

I.3 Date of effectivity

27-Nov-2012.

I.4 Time of Compliance

At first installation of aft engine shock mounts with integrated studs D44-7106-00-55.

I.5 Subject

Replacement of aft engine shock mounts.

ATA-Code: 71-20

I.6 Reason

Because the supplier of the engine shock mounts has discontinued the production of the original engine shock mounts the installation of the shock mounts must be modified including a replacement of the RH aft engine arm.

I.7 Concurrent Documents

None.

I.8 Approval

The technical information or instructions contained in this document relate to the Design Change Advisory No. MÄM 42-594, which has been approved under the authority of EASA Design Organization Approval ref. EASA.21J.052.

The technical content of this document has been approved under the authority of DOA ref. EASA.21J.052.

I.9 Accomplishments / Instructions

Note Do all steps on both LH and RH engine.

Make sure AMM-TR-MÄM 42-594 is incorporated into the Airplane Maintenance Manual.

Remove original aft engine shock mounts i.a.w. AMM Section 71-00.

Replace original RH aft engine arm with new engine arm D64-7126-27-20_2.

- Locally heat threads in core engine to warm up torque seal to approx. 100°C (212 F) using an air heat gun or similar.

Note If the torque seal is not warmed up, the threads in the core engine can be damaged.

- Remove bolts.
- Clean threads of core engine and bolts from torque seal and debris.
- Install new engine arm.
- Secure bolts with Loctite 243 (or equivalent).

Install Safety Rope DS SR1-08-240 on engine mount i.a.w. AMM Section 71-00. Refer to Figure 1 for length.

- Use Nicopress Crimping tool 51-P-850.
- Make 4 crimps.
- Shrink heat shrink tubes over eye and cable.

Note Mount heat shrink tube before crimping.

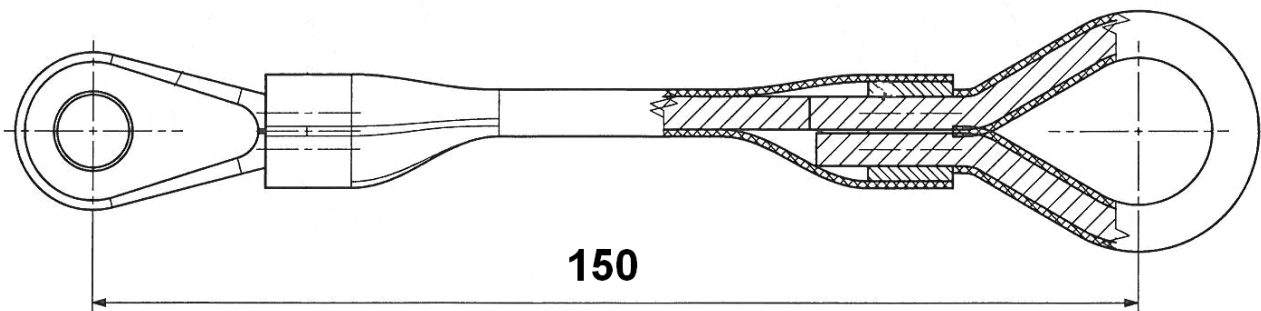


Figure 1: Safety Rope

Install new aft engine shock mounts i.a.w. AMM Section 71-00.

Make all necessary entries in the airplane logs.

I.10 Mass (Weight) and CG

The change in mass and CG is negligible.

II PLANNING INFORMATION

II.1 Material and Availability

Quantity	Part Number	Description
4	D44-7106-00-55	Engine shock mount
2	D64-7126-27-20_2	Engine mounting arm aft RH
2	DS SR1-08-240	Safety Rope
4	DIN 934 M10 8.8 ZP	Hexagon nut
32	LN 9025 - 0815K	Washer
12	LN 9037 – 08 030	Hexagon bolt
4	LN 9037 – 08 045	Hexagon bolt
16	LN 9338 - 08	Hexagon nut
4	20197203	Collar nut
4	DNL 14	Nordlock washer
4	DNL 10	Nordlock washer
2	DS BU2-16-08-0050-C	Bushing

Material is available from Diamond Aircraft Industries.

II.2 Special Tools

Nicopress Crimping tool 51-P-850.

II.3 Labour Effort

Approx. 4 hours.

II.4 Credit

For all AC within warranty period:

Material i.a.w. II.1 except for engine shock mounts D44-7106-00-55.

II.5 Reference Documents

DA 42 NG Airplane Maintenance Manual, Doc. No. 7.02.15, latest effective issue.

III REMARKS

1. All work must be done by a certified aircraft service station or a certified aircraft maintenance mechanic.
2. All work, particular that, which is not especially described in this Service Bulletin, must be done in accordance with the referenced Maintenance Manual.
3. Completion of all work must be recorded in the log book.
4. If material is subject to be credited through Diamond Aircraft Industries, the Service Bulletin must be carried out by an authorized Diamond Service Center and the Warranty Application incl. Work Report must be sent.
5. In case of doubt contact Diamond Aircraft Industries GmbH.

**EXECUTION REPORT TO
SERVICE BULLETIN
MSB 42NG-033/2**

AIRPLANE DATA

Airplane Serial Number _____

Airplane Registration _____

Airplane Operator _____

Hours of operation of airplane _____

No. of landings _____

Hours of operation-engine LH _____

RH _____

Typical operation of airplane private, club, training, other _____

Date, Name, SignPlease fax the completed form to Fax No. +43-2622-26700-1369 or e-mail to
airworthiness@diamond-air.at