

SERVICE INFORMATION

NO. SI D4-189

NOTE: SI's are used only:
1) To distribute information from DAI to our customers.
2) To distribute applicable information/documents from our suppliers to our customers with additional information.
Typically there is no revision service for SI's. Each new information or change of that will be sent along with a new SI.

I. TECHNICAL DETAILS

1.1 Airplanes affected:

All DA 40 D airplanes equipped with a TAE 125-02 engine

1.2 Subject:

Technify Motors Service Bulletin SB TMG 125-1021 P1
ATA-Code: 81-00

1.3 Reason:

Technify Motors GmbH has issued Service Bulletin No. TMG 125-1021 P1 mandating fixing the wastegate lever bushing at certain engine serial numbers.

1.4 Information:

For detailed technical information refer to Technify Motors Service Bulletin TMG 125-1021 P1 which is applicable without any further additions or restrictions.

II. OTHERS

Technify Motors Service Bulletin TMG 125-1021 P1 is attached to this Service Information.

In case of doubt contact Technify Motors GmbH.

SERVICE BULLETIN

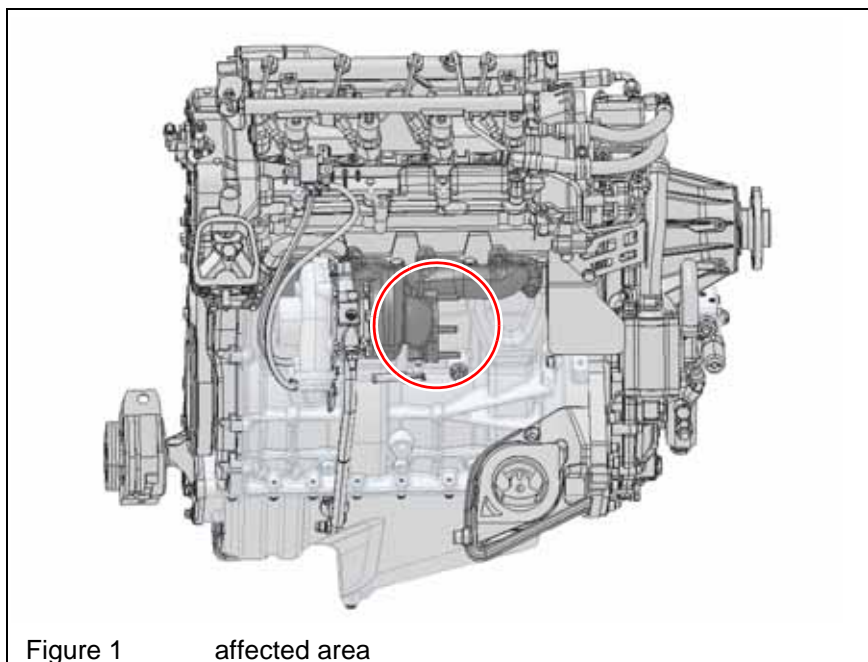
PRIORITY 1 - SAFETY

Service Bulletin No. SB TMG 125-1021 P1, Initial Issue
Date: September 21, 2016



Subject: Bushing Wastegate Lever

Type affected: TAE 125-02-99 and TAE 125-02-114

Models affected: TAE 125-02-99 up to Engine S/N 02-02-04170,
except 02-02-04167 to 02-02-04169
TAE 125-02-114 up to Engine S/N 02-02-10400,
except 02-02-10199, 02-02-10201 and 02-02-10399



Classification: Category P1 – SAFETY

| | |
|--|--|
| Checked  C. Rudolph, CVE | Approved  D. Hartung, Office of Airworthiness |
|--|--|



Technify Motors GmbH
Platanenstrasse 14
09356 Sankt Egidien, Germany

Tel: +49 37204 696 0
Fax: +49 37204 696 2912
www.centurion-engines.com
info@centurion-engines.com

SB TMG 125-1021 P1, Initial Issue

Time of Compliance: Engines up to 300 flight hours:
Measures have to be accomplished with the 400 hours maintenance event.

Engines above 300 flight hours:
Measures have to be accomplished within the next 100 flight hours or with the next maintenance action.

Reason: The bushing may move axially in the integral manifold. This can lead to an incorrect position of the wastegate flap and finally to a loss of power.

Correction: Fix the bushing in accordance with RM-02-02, Chapter 72-40.13, Issue 3, Revision 1 or later approved revisions.

Remarks: -

Parts:

| Item | Part Number | Description | Quantity |
|-----------------------|------------------|--|----------|
| Repair Set – Standard | | | |
| 1 | VR00624-00-00 01 | repair set bush wastegate | 1 |
| 1.1 | VR00624-01-00 01 | drilling fixture bush wastegate | 1 |
| 1.1.1 | VR00624-01-0103 | angle drilling fixture | 1 |
| 1.1.2 | VR00624-01-0201 | hexagon socket set screw | 1 |
| 1.1.3 | NM-0000-0076401 | hexagon thin nut ISO 4035 - M6 - 04 - A2J | 1 |
| 1.1.4 | NM-0000-0004801 | plain washer ISO 7092 - 8 - 200 HV - A2J | 6 |
| 1.1.5 | NM-0000-0129401 | hexagon nut ISO 4032 - M8 - 8 - A2J | 2 |
| 1.2 | NM-0000-0243301 | grooved pin ISO8740 - 2,5x120 - St | 1 |
| 1.3 | VW0639 | twist drill HSSØ2,50 | 1 |
| 1.4 | NM-0000-0003101 | exhaust union nut M8-8-SW12-C2E | 3 |
| 1.5 | NM-0000-0141101 | split pin ISO 1234-2x32-St-A2J | 1 |
| Repair Set – DA42 | | | |
| 1 | VR00624-00-0101 | repair set bush wastegate | 1 |
| 1.1 | VR00624-02-0001 | drilling fixture bush wastegate | 1 |
| 1.1.1 | VR00624-02-0103 | angle drilling fixture | 1 |
| 1.1.2 | VR00624-01-0201 | hexagon socket set screw | 1 |
| 1.1.3 | NM-0000-0076401 | hexagon thin nut ISO 4035 - M6 - 04 - A2J | 1 |
| 1.1.4 | NM-0000-0004801 | plain washer ISO 7092 - 8 - 200 HV - A2J | 6 |

Replaces Service Bulletin No. / Date:

-

Page 2 / 3



Technify Motors GmbH
Platanenstrasse 14
09356 Sankt Egidien, Germany

Tel: +49 37204 696 0
Fax: +49 37204 696 2912
www.centurion-engines.com
info@centurion-engines.com

SB TMG 125-1021 P1, Initial Issue

| Item | Part Number | Description | Quantity |
|-------|-----------------|--|----------|
| 1.1.5 | NM-0000-0129401 | hexagon nut ISO 4032 - M8 - 8 - A2J | 2 |
| 1.2 | NM-0000-0243301 | grooved pin ISO8740 - 2,5x120 - St | 1 |
| 1.3 | VW0639 | twist drill HSSØ2,50 | 1 |
| 1.4 | NM-0000-0003101 | exhaust union nut M8-8-SW12-C2E | 3 |
| 1.5 | NM-0000-0141101 | split pin ISO 1234-2x32-St-A2J | 1 |
| Tools | | | |
| 2 | | Pin Punch 150x2 (e.g. Rennsteig 450 002 150x2) | 1 |
| 3 | | Pin Punch 150x4 (e.g. Rennsteig 450 004 150x4) | 1 |

Approval:

The technical information contained in this document has been approved under the authority of EASA Design Organisation Approval No. EASA.21J.010.

Replaces Service Bulletin No. / Date:

-

Page 3 / 3