

SERVICE INFORMATION NO. SI D4-123

NOTE: SI's are used only:
1) To distribute information from DAI to our customers.
2) To distribute applicable information/documents from our suppliers to our customers with additional information.
Typically there is no revision service for SI's. Each new information or change of that will be sent along with a new SI.

I. TECHNICAL DETAILS

1.1 Airplanes affected:

All DA 40 D non G1000 equipped and with Garmin GTX 330 installed

1.2 Subject:

GARMIN Software Service Bulletin No.: 0846 Revision B
ATA-Code: 34-00

1.3 Reason:

Garmin has revised the Software Service Bulletin announcing the availability of the new Software Version 6.00 for GTX 330/330D and GTX 33/33D (Non-G1000/G900X applications only), which allows installers the option of disabling the Enhanced Surveillance (EHS) function.

1.4 Information:

For detailed technical information see GARMIN Software Service Bulletin No.: 0846 Revision B which is applicable without any further additions or restrictions.

II. OTHERS

The GARMIN Software Service Bulletin No.: 0846 Revision B is attached to this SI.

In case of doubt contact Diamond Aircraft Industries GmbH.



SOFTWARE SERVICE BULLETIN

NO.: 0846 Revision B

TO: All Garmin Aviation Service Centers
DATE: 10 March 2009
SUBJECT: GTX 330/330D and GTX 33/33D Software Version 6.00 Non-G1000/G900X/GNS 480 Applications Only
REVISION B: Added note for GNS 480 Installations

*Note: Throughout this document the term GTX applies to the GTX 330/330D/33/33D unless otherwise noted.

PURPOSE

This Service Bulletin announces the availability of Software Version 6.00 for GTX 330/330D and GTX 33/33D (Non-G1000/G900X/GNS 480 applications only).

Software Version 6.00 allows installers the option of disabling the Enhanced Surveillance (EHS) function.

NOTE

GTX Software Version 6.00 is **not** recommended for installations that include a GNS 480. GTX Software Version 6.00 does **not** support altitude code forwarding to a GNS 480.

DESCRIPTION

This modification consists of uploading new software to the unit using software available via the Dealer Resource section of the Garmin website (www.garmin.com) or in a CD format (Garmin Part Number A00-10113-17, requires Windows).

© Copyright 2008 - 2009
Garmin Ltd. or its subsidiaries
All Rights Reserved

Except as expressly provided herein, no part of this document may be reproduced, copied, transmitted, disseminated, downloaded or stored in any storage medium, for any purpose without the express prior written consent of Garmin. Garmin hereby grants permission to download a single copy of this document and of any revision to this document onto a hard drive or other electronic storage medium to be viewed and to print one copy of this document or of any revision hereto, provided that such electronic or printed copy of this document or revision must contain the complete text of this copyright notice and provided further that any unauthorized commercial distribution of this document or any revision hereto is strictly prohibited.

APPROVAL

GTX 330/330D – TSO-C112 Class 2A, ETSO-2C112a Level 2s
GTX 33/33D – TSO-C112 Class 2A, ETSO-2C112a Level 2s

The engineering data contained in GTX 330/330D and GTX 33/33D Software Version 6.00 are FAA approved.

AFMS AND PILOT'S GUIDE CONSIDERATIONS

There are no changes to AFMS documents that are relative to this Service Bulletin.
There are no Pilot's Guide changes relative to this Service Bulletin.

PRODUCT AFFECTED

This bulletin is applicable to all GTX 330/330D and GTX 33/33D units with Software Version 5.01 or previous software versions. The unit's current software version is displayed at power up, on either the GTX 330/330D front panel or the GNS 480 (CNX80) screen for the GTX 33/33D.

NOTE

GTX Software Version 6.00 is **not** recommended for installations that include a GNS 480. GTX Software Version 6.00 does **not** support altitude code forwarding to a GNS 480.

COMPLIANCE

Optional: This service bulletin may be incorporated at the customer's request.

WARRANTY INFORMATION

This modification is not warranty reimbursable.

REFERENCES

GTX 33, GTX 33D Transponder Installation Manual (190-00303-61) Rev J or later
GTX 330, GTX 330D Transponder Installation Manual (190-00207-02) Rev N or later

MODIFICATION INSTRUCTIONS

The following paragraph is applicable if acquiring software via the Garmin website.

Before beginning the software field upgrade procedure, software must be downloaded from the Dealer Resource portion of the Garmin website (www.garmin.com). From the Technical Resource list, click on the link for Technical Bulletins and Advisories. Find this Service Bulletin (#0846, Revision A) in the list, and click on the corresponding link in the Downloads column. Follow the instructions to save the file (GTX 330/GTX 330D/GTX 33/GTX 33D Version 6.00) to the computer to be used for the software update. It is recommended to create a folder 'C:/Garmin' as a target directory for the file.

The following paragraph is applicable if using the Software CD (Garmin Part Number A00-10113-17).

The Software CD contains one file named '330UPD17.exe', it is recommended to create a folder 'C:/Garmin' as a target directory for the file. Copy the file from the CD to the target directory.

The procedures described below are for the software field upgrade only.

1. Use a test harness as shown in Figure 1.

CAUTION

If the unit is removed from the aircraft and operated, always connect J3302 (GTX 330/GTX 33) and J3303 (GTX 330D/GTX 33D) to a 50 Ω , 5-watt load. The GTX transmits Mode S acquisition squitter replies once per second whether interrogations are received or not. Failure to connect a dummy load or antenna during this procedure will cause the transponder to fail.

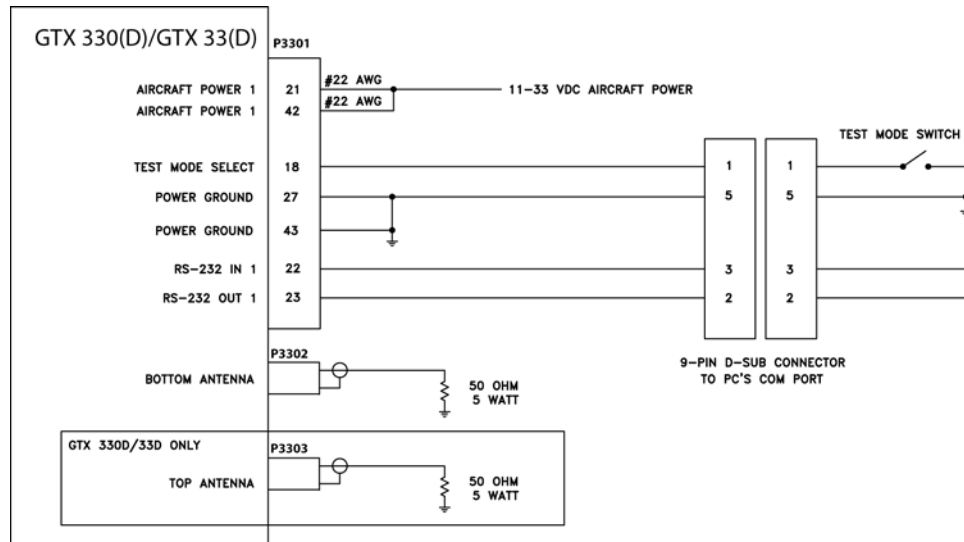


Figure 1

2. Ensure the unit is turned off. Connect the GTX to the test harness and apply power to the harness.
3. With the unit off, enable test mode via the Test Mode Switch. (Applies a ground to P3301 pin 18).
4. From the target directory (C:/Garmin) that the update software was saved to (from the Garmin website or from the CD), double click on the file '330UPD17.exe'. This will create four additional files in the target directory. Verify the files are named as follows:
 - 006B0172.SA_0C
 - AVXRGN32.EXE
 - README.TXT
 - UPLOAD17.BAT
5. Connect the 9-pin D-Sub connector of the test harness to a free serial port (COM 1 or 2) on the PC and apply power.
6. Turn the GTX 330/GTX 330D unit on. (The GTX 33/GTX 33D will turn on by the application of power.) The GTX 330/GTX 330D unit will be in test mode and show a dynamic test screen.
7. Double click on the file 'UPLOAD17.BAT'. The program will begin communicating with the GTX. (If problems are encountered in starting the software upload, an alternative method is described in the README.TXT file located in the C:/Garmin folder).
8. During the software upload, the GTX 330/GTX 330D unit display test pattern either becomes static or the display will blank, depending on the software version originally installed in the unit. The upload process could take up to 6 minutes to complete; after which the unit will reset itself, turn on, and show a dynamic display test screen.
9. Turn the unit off and disable test mode via the test mode switch.
10. Turn the unit on and verify the new Software Version 6.00 on the GTX 330/GTX 330D Startup/Self-Test Page. Verify the new Software Version 6.00 for the GTX 33/GTX 33D on the GNS 480 (CNX80) display.

MODIFICATION INSTRUCTIONS FOR BACKLOADING TO SOFTWARE VERSION

5.01

Garmin Software Service Bulletin 0730 provides a means to return a GTX unit to Software Version 5.01, should the need arise.

TESTING PROCEDURE

The unit's built-in Self-Test is adequate to return the appliance to service.

MATERIAL INFORMATION

All parts required to modify multiple GTX units per this Service Bulletin are listed below:

QTY	Part Number	Description
1	330UPD17.EXE	GTX 330/GTX 330D/GTX 33/GTX 33D Software Version 6.00
1	A00-10113-17	Software CD (Version 6.00)

All connector kit is available to construct the test harness if required:

QTY	Part Number	Description
1	011-00583-00	GTX 330/GTX 330D/GTX 33/GTX 33D Connector Kit