

SERVICE INFORMATION NO. SI 40-048/a

SERVICE INFORMATION NO. SI D4-063/a

NOTE: SI's are used **only**:

- 1) To distribute information from DAI to our customers.
- 2) To distribute applicable information / documents from our suppliers to our customers with additional information.

Typically there is no revision service for SI's. Each new information or change of that will be send along with a new SI.

I. TECHNICAL DETAILS

1.1 Airplanes affected:

All DA 40	aircraft with GTX 330/330D or GTX 33/33D installed and G1000 not installed
All DA 40D	aircraft with GTX 330/330D or GTX 33/33D installed and G1000 not installed
All DA 40F	aircraft with GTX 330/330D or GTX 33/33D installed and G1000 not installed

1.2 Subject:

GARMIN: GTX 330/330D, GTX 33/33D Software Upgrade to Version 4.06 for non-G1000 applications only

ATA-Code: 39-00

1.3 Reason:

GARMIN has issued a Software Service Bulletin which announces the incorporation of the new unit Software Version 4.06 for the GTX 33 and GTX 330.

1.4 Information:

For detailed technical information see GARMIN Software Service Bulletin which is applicable without any further additions or restrictions.



Diamond Aircraft Industries G.m.b.H
N.A. Otto-Straße 5
A-2700 Wiener Neustadt

DAI SI 40-048/a
DAI SI D4-063/a
Page 2 of 2
07-Feb-2007
FT

II. OTHERS

The GARMIN Software Service Bulletin No.: 0626 is attached to this SI.

In case of doubt contact Diamond Aircraft Industries.



SOFTWARE SERVICE BULLETIN

NO.: 0626

TO: All Garmin Aviation Service Centers

DATE: 16 January 2007

SUBJECT: GTX 330/330D, GTX 33/33D Software Upgrade to Version 4.06 for non-G1000 applications only

*Note: The term GTX 330 applies to both GTX 330 Mode S Transponders and GTX 330D Diversity Mode S Transponders unless otherwise stated. Likewise, the term GTX 33 applies to both GTX 33 Mode S Transponders and GTX 33D Diversity Mode S Transponders unless otherwise stated.

PURPOSE

This Software Service Bulletin incorporates new unit Software Version 4.06 for the GTX 33 and GTX 330. The previous Software Version 4.05 was released in new units only, and was not released for retrofit.

Software version 4.06 provides the following enhancements to version 4.04:

- Automatic TIS moding for dual operation (added in version 4.05)
- Accepts data output from a Honeywell KLN 89 (added in version 4.05)
- For the GTX 330 only, the VFR Key can be configured as disabled (added in version 4.06)

DESCRIPTION

This modification consists of uploading new software to the unit using software available via the Dealer Resource section of the Garmin website (www.garmin.com).

APPROVAL

TSO C112 Class 2A

The Engineering data contained in GTX 330/33 Software Version 4.06 are FAA approved. This change is a minor software change.

AFMS AND PILOT'S GUIDE CONSIDERATIONS

There are no recommended AFMS changes.

GTX 330 Pilot's Guide, P/N 190-00207-00, Rev. D or later.

PRODUCT AFFECTED

This bulletin is applicable to all GTX 330/GTX 33 units with Software Version 4.05 or previous software versions. The unit's current software version is displayed at power up, on either the GTX 330 front panel or the GNS 480 (CNX80) screen for the GTX 330/33.

COMPLIANCE

Optional: This service bulletin may be incorporated in GTX 330/33 units that do not have Software Version 4.06, at the customer's request.

REFERENCES

GTX 330 Installation Manual, P/N 190-00207-02, Rev. L or later, GTX 33 Installation Manual, P/N 190-00303-61, Rev. F or later.

MANPOWER

One-hour (1.0) labor including testing.

WARRANTY INFORMATION

This modification is not warranty reimbursable.

MODIFICATION INSTRUCTIONS FOR UPGRADING TO SOFTWARE VER. 4.06

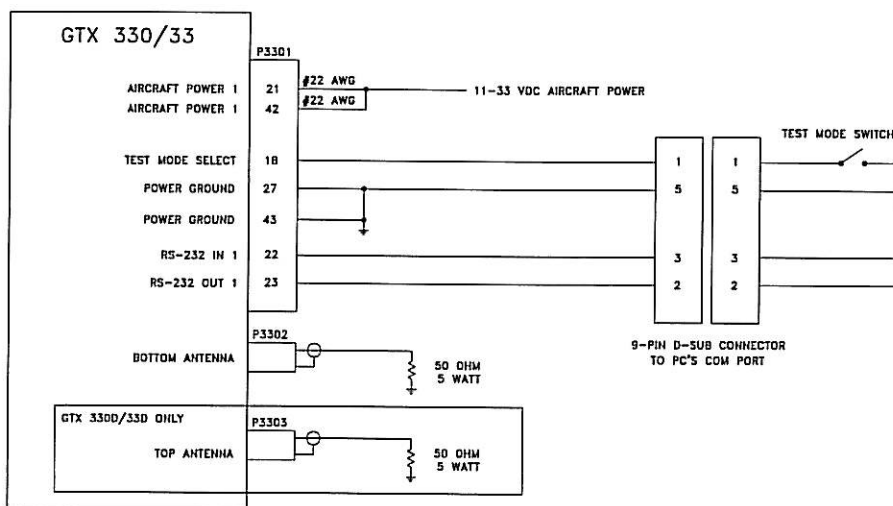
Before beginning the following procedure, software must be downloaded from the Dealer Resource portion of the Garmin website (www.garmin.com). From the Technical Resource list, click on the link for Technical Bulletins and Advisories. Find this Service Bulletin (#0626) in the list, and click on the corresponding link in the Downloads column. Follow the instructions to save the file (GTX 330 SW Version 4.06) to the computer to be used for the software update. It is recommended to create a folder 'C:/Garmin' as a target directory for the file.

The procedures described below are for the software field upgrade only.

1. Use a test harness for the GTX 330/GTX 33 as shown in the following figure:

CAUTION

If the unit is removed from the aircraft and operated, always connect J3302, (J3303 for GTX 330D/GTX 33D) to an antenna or a 50 Ω , 5-watt load. The GTX 330/GTX 33 transmits Mode S acquisition squitter replies once per second whether interrogations are received or not. Failure to connect a dummy load during this procedure will cause the transponder to fail.



2. Ensure that the unit is turned off. Connect the GTX 330/GTX 33 to the test harness and apply power to the harness.
3. With the unit off, enable test mode via the Test Mode Switch. (Applies a ground to P3301 pin 18).
4. From the target directory (C:/Garmin) that the update software was saved to (from the Garmin website), double click on the file '330UPD14.exe'. This will create four additional files in the target directory. Verify the files are named as follows:
 - 006B0172.01R
 - AVXRGN32.EXE
 - README.TXT
 - UPLOAD14.BAT
5. Connect the 9-pin D-Sub connector of the test harness to a free serial port (COM 1 or 2) on the PC and apply power.
6. Turn the GTX 330 unit on. (The GTX 33 will turn on by the application of power.) The GTX 330 unit will be in test mode and show a dynamic test screen.

7. Double click on the file 'UPLOAD14.BAT'. The program will begin communicating with the GTX 330. (If problems are encountered in starting the software upload, an alternative method is described in the README.TXT file located in the C:/Garmin folder).
8. During the software upload, the GTX 330 unit display test pattern either becomes static or the display will blank, depending on the software version originally installed in the unit. The upload process could take up to 6 minutes to complete; after which the unit will reset itself, turn on, and show a dynamic display test screen.
9. Turn the unit off and disable test mode via the test mode switch.
10. Turn the unit on and verify the new Software Version 4.06 on the GTX 330 Startup/Self-Test Page. Verify the new Software Version 4.06 for the GTX 33 on the GNS 480 (CNX80) display.

MODIFICATION INSTRUCTIONS FOR BACKLOADING TO SOFTWARE VER. 4.04

Garmin Software Service Bulletin 0543 provides a means to return a GTX 330/GTX 33 unit to Software Version 4.04, should the need arise. Software Version 4.05 is not available for backloading (although it is an approved and fully functional software version).

TESTING PROCEDURE

The unit's built-in Self-Test is adequate to return the appliance to service.

IDENTIFICATION PROCEDURE

The unit's current software version is viewed at power up as indicated in the last step of the MODIFICATION INSTRUCTIONS.

MATERIAL INFORMATION

All parts required to modify multiple GTX 330 and GTX 33 units per this Service Bulletin are listed below:

QTY	File Name	Description
1	330UPD14.EXE	GTX 330/GTX 33, Field Update Software (version 4.06)

QTY	Part Number	Description
1	A00-10113-12	Diskette, GTX 330/GTX 33, Software Version 4.04 (optional)

A connector kit is available to construct the test harness if required:

QTY	Part Number	Description
1	011-00583-00	GTX 330/GTX 33 Connector kit

ADDITIONAL INFORMATION

None.