

## OPTIONAL SERVICE BULLETIN

NO. OSB40-031/1  
NO. OSBD4-034/1  
NO. OSBF4-006

SUPERSEDES SERVICE BULLETIN  
NO. OSB40-031  
NO. OSBD4-034

### I. TECHNICAL DETAILS

#### 1.1 Category

Optional.

#### 1.2 Airplanes affected

DA 40: 40.006 - 40.0079, 40.081 - 40.083, 40.201 and subsequent  
**(provided that OÄM 40-099 is carried out).**

DA 40 D: 40.080, 40.084, D4.001 and subsequent  
**(provided that OÄM 40-099 is carried out).**

DA 40 F: 40.F001 and subsequent  
40.FC001 and subsequent  
**(provided that OÄM 40-099 is carried out).**

#### 1.3 Date of Effectivity

The initial issue of the Service Bulletin became effective on: 01-Feb-2005.  
The revisions of the Service Bulletin do not change the effectivity date.

#### 1.4 Time of Compliance

At owner's discretion.

#### 1.5 Subject

Installation of Winter Baffle in Wing Fresh Air Inlet.

ATA-Code: 21-50, Air Conditioning-Cooling

### **1.6 Reason**

For better comfort regarding cabin temperatures when operating at low outside air temperatures, a ventilation inlet baffle may be installed at the air inlet of the wing. (lower side of left wing stub) to block cold air and avoid cold ventilation channels.

### **1.7 Concurrent documents**

none

### **1.8 Approval**

The information or instructions contained in this document relate to the Design Change Advisory No. OÄM 40-183 which has been approved by EASA Design Organization Approval No. EASA.21J.052.

The technical information contained in this document has been approved under the authority of EASA Design Organization Approval No. EASA.21J.052.

### **1.9 Measures**

Work Instructions No. WI-OSB40-031, WI-OSBD4-034 and WI-OSBF4-006 must be complied with.

Temporary Revision TR-OÄM -40-183 and Supplement E7 must be incorporated in the AFM. The installation entry must be added in the Modification List of the Temporary Revision.

**CAUTION:** OÄM 40-099 is prerequisite to install the Winter Baffle in the fresh air inlet.

### **1.10 Mass (Weight) and CG**

The mass of the ventilation inlet baffle is negligible. The mass and balance data of the airplane therefore remain unchanged.

## **II. PLANNING INFORMATION**

### **2.1 Material & Availability**

All necessary parts with specific part numbers can be ordered from Diamond Aircraft Industries GmbH, Diamond Aircraft Industries Inc., or from your general distributor or Diamond service center. All other parts shall be procured locally.

### **2.2 Special Tools**

No special tools are required.

### **2.3 Labor effort**

Appr. 1 hour.

### **2.4 Credit**

None.

### **2.4 Reference documents**

Work Instruction No's WI-OSB 40-031 (for DA 40), WI-OSB D4-034 (for DA 40 D), WI-OSB F4-006 (for DA 40 F).  
Diamond Aircraft DA 40 Series Airplane Maintenance Manual, Doc. No. 6.02.01, latest effective issue.

## **III. REMARKS**

1. All measures must be carried out by the manufacturer, a certified aircraft service station or a certified aircraft maintenance mechanic.
2. Accomplishment of the measures must be confirmed in the log book.
3. In case of doubt, contact Diamond Aircraft.

## WORK INSTRUCTION

WI-OSB 40-031  
WI-OSB D4-034  
WI-OSB F4-006

### „WINTER BAFFLE FRESH AIR INLET“

#### **I. GENERAL INFORMATION**

##### **1.1 Subject:**

The optional installation of a Winter Baffle for the Fresh Air Inlet, to increase cabin temperatures when operating at low outside air temperatures.

##### **1.2 Reference Documents:**

Diamond Aircraft DA 40 Series Airplane Maintenance Manual, Doc. No. 6.02.01, latest effective issue.

##### **1.3 Remarks:**

- a) The work must be carried out by a certified aircraft service station or a certified aircraft maintenance mechanic. In case of doubt, contact Diamond Aircraft.
- b) All works, particular those that are not especially described in this work instruction, have to be carried out in accordance with the referenced maintenance manual issue.

## II. DRAWINGS, SPECIAL TOOLS & MATERIAL

### 2.1 Drawings:

DA4-5310-00-00x01

### 2.2 Special Tools:

No special tools are required.

### 2.3 Material:

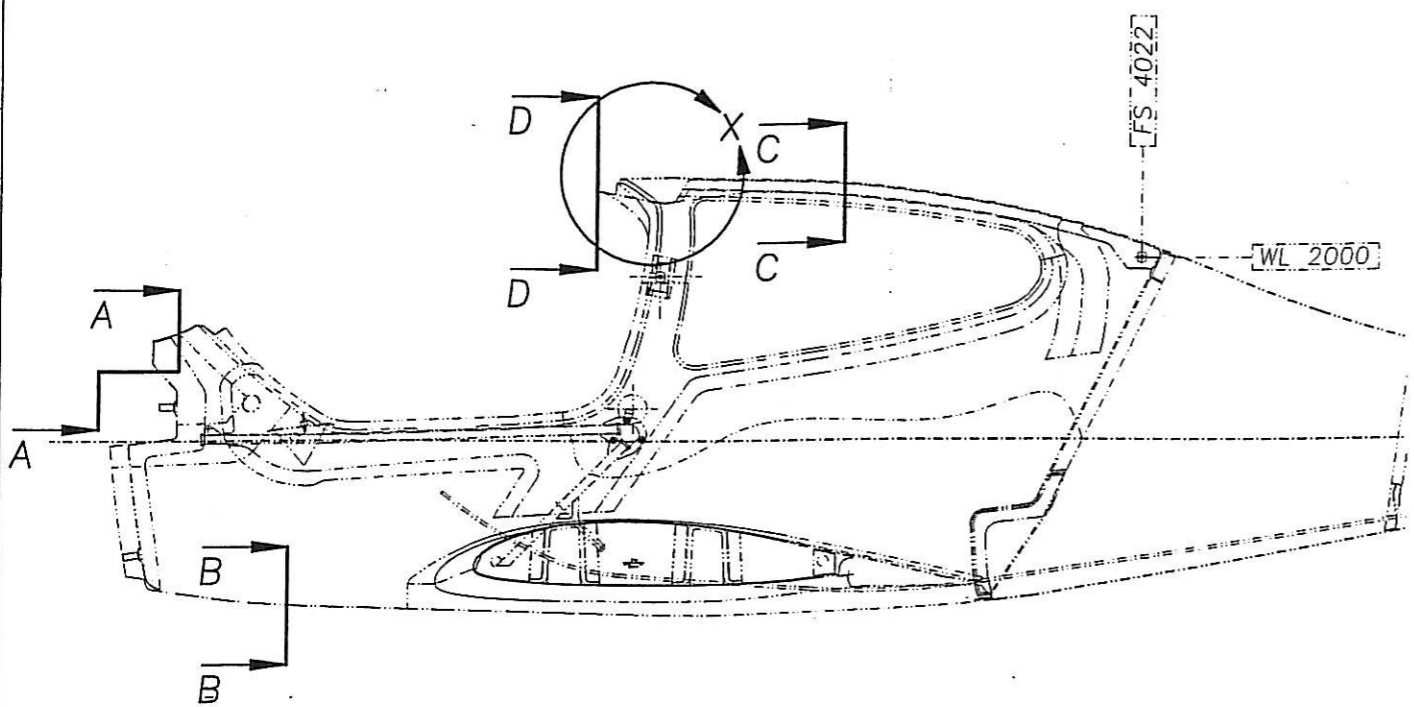
<u>Qty</u>	<u>Description</u>	<u>Part Number</u>
1	Winter Baffle Cabin Ventilation	DA4-2157-10-00
1	Camloc Receptacle	212-12N
2	Rivets	CCR244SS-3-04 or DIN7337-B 2,4 x 8,5

## III. INSTRUCTIONS

1	Mark Positions for holes according to Dwg.No. D41-5310-00-00x01
2	Drill 2 • 2.4mm holes and 1 • 10mm hole on marked positions.
3	Install Camloc receptacle, part number 212-12N, with rivets, part number CCR244SS-3-04 (or DIN 7337-B 2,4 x 8,5).
4	Clean working area and check for foreign objects
5	Install Winter Baffle into Fresh air inlet
6	Check for adequate clearances and proper operation of Winter Baffle

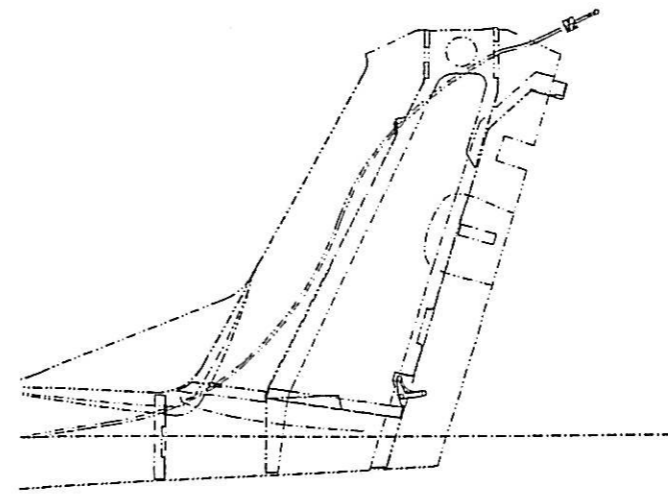
16 15 14 13 12 11 10 9 8 7 6 5 4 3 2 1

L  
K  
J  
I  
H  
G  
F  
E  
D  
C  
B  
A

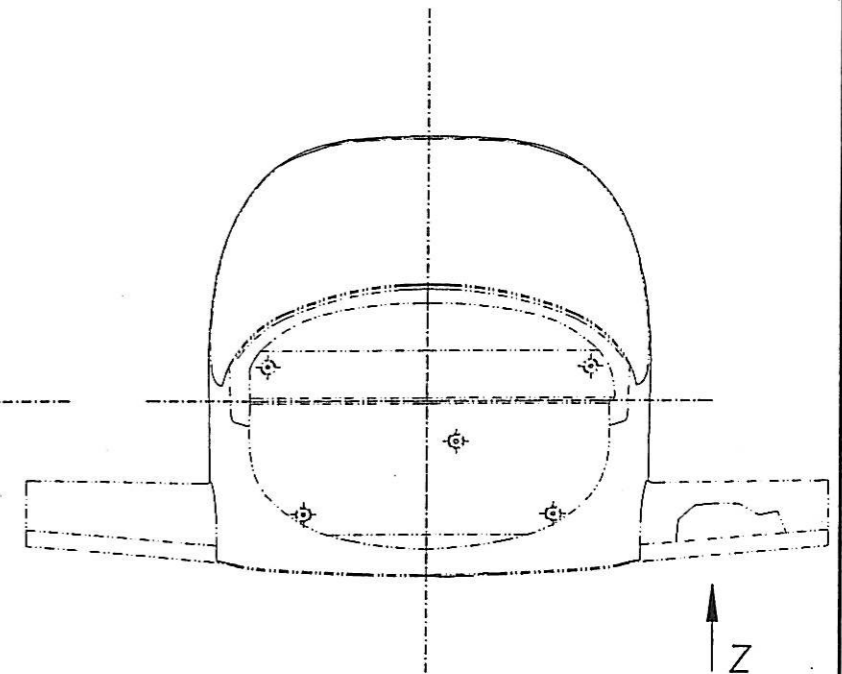


Schnitt A-A  
NTS

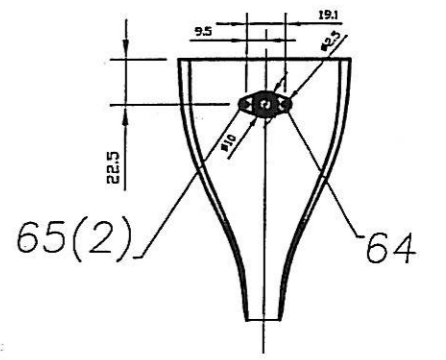
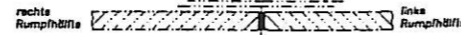
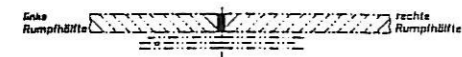
Schnitt B-B  
NTS



Schnitt C-C  
NTS

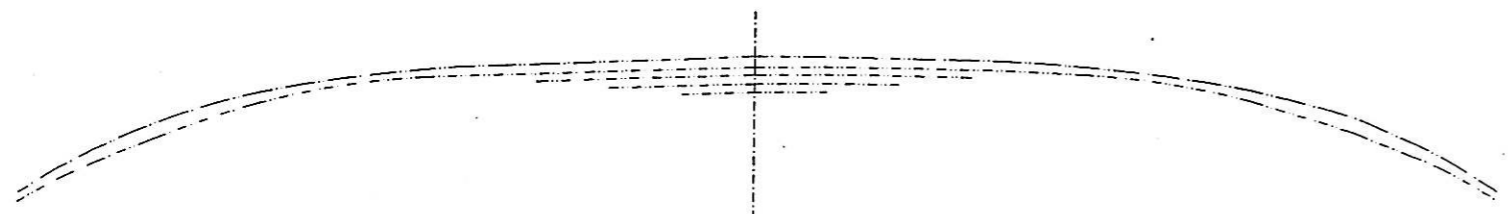


View Z  
NTS



Schnitt D-D  
NTS  
Pos. 61, 62, 63

Detail X  
NTS



65	R	CCR244533-4	Rivet	Fs. Cherry
64	I	212-12	Receptacle	Fs. Carloc
Pos. St. L. St. R. Teil Nr.		Benennung		Orientierung/Messungen
<small>BEZÜGLICH DER BEWEISUNG DER RICHTIGKEIT DER ANGEZEIGTEN DIMENSIONEN UND DER ÜBEREINSTIMMUNG MIT DEN KUNDENSPEZIFIKATIONEN UND DEN ANFORDERUNGEN DER VERTRÄGE SIND DIE VERANTWORTUNG UND VERPFLICHTUNG DER VERFAHRER ZU TRAGEN.</small>		Maßstab: Höhenmaßstab: 1:10 D H 7168 m L S 0 2768 m Maß M 1365 m	Modell: 1:10 Teil-Nr.: 00.0000	
Name: [Signature] Datum: [Date] Zeichnung: [Signature]		Nächster Zusammenbau: D41-5300-00-00		
Zeichnung Nr.: <b>D41</b>		Zeichnung: D41-5310-00-00-01		
Blatt: 1 von 1		Blatt: 1 von 1		
Datum: 04.11.2010 Änderung: [Signature]		DW Nr.: FILES\DWG\DWG\5310\01-5310-00-00-01.dwg - 1. Ers. Ausg.		

08/12/10  
[Signature]