

SERVICE BULLETIN



Service Bulletin No.: DA20-92-04 Rev 0

Date Issued: 27 May 2013

Title: Installation of Photo luminescent Placards

Page: 1 of 4

- 1. ATA Code:** 9200
- 2. Effectively:** DA 20-A1, Serial numbers 10002 and subsequent.
- 3. General:** This Service bulletin (SB) provides instructions for installing Photo luminescent (glow-in-the-dark) placards.
- 4. Compliance:** Optional.
- 5. Approval:** Engineering data referenced or contained in this Service Bulletin is approved as part of the type design.
- 6. Labor:** Approximately 1 hour will be required to accomplish this service bulletin.

This estimate is for direct labor performed by a technician and it does not include setup, planning, familiarization, cure time, part fabrication or tool acquisition.

7. Material:	Part Number	Description	Qty
	20-1120-00-29	Placard, Canopy Opening	2
	20-1120-00-30	Placard, Canopy Emergency	1
	20-1120-00-31	Placard, Emergency Lever	1
	20-1130-00-24	Placard, Fuel Valve, Open	2
	20-1130-00-25	Placard, Fuel Valve, Closed	2
	20-1130-00-26	Placard, Canopy, Open/Closed, LH	1
	20-1130-00-27	Placard, Canopy, Open/Closed, RH	1
	22-1130-00-49	Placard, Rescue Hammer	1

The above material may be ordered as kit: **DA20-92-04AMK0**

- 8. Special Tools:** none
- 9. References:** DA20-A1 Aircraft Maintenance Manual, Document # DA 201

SERVICE BULLETIN



Service Bulletin No.: DA20-92-04 Rev 0

Date Issued: 27 May 2013

Title: Installation of Photo Luminescent Placards

Page: 2 of 4

10. Accomplishment Instructions:

- 10.1 Replace the following standard English internal placards with illuminated English placards as shown in Figures 1 and 2.

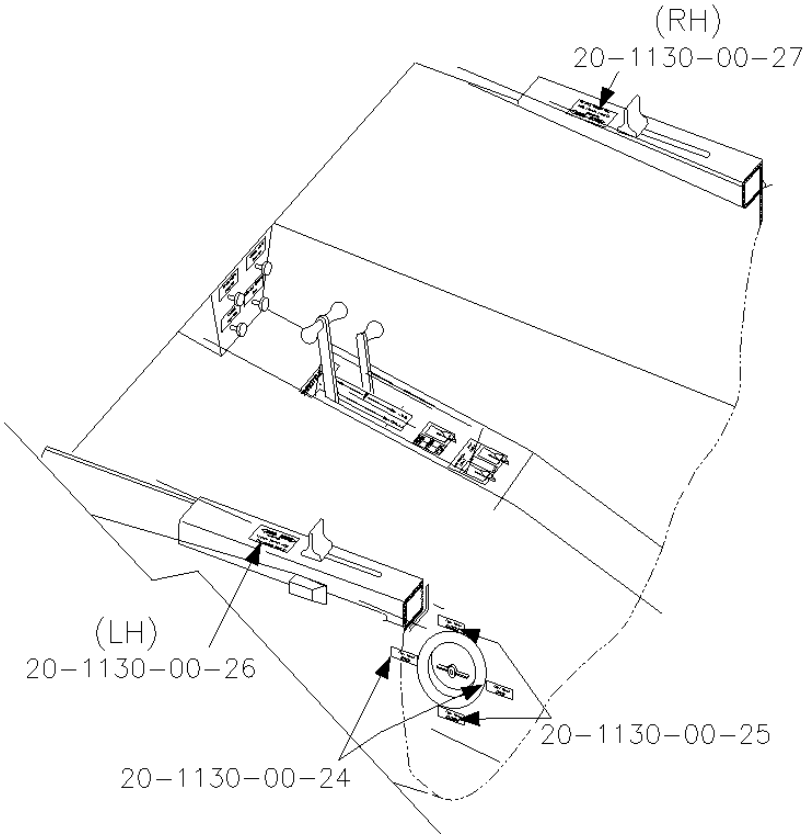


Figure 1:

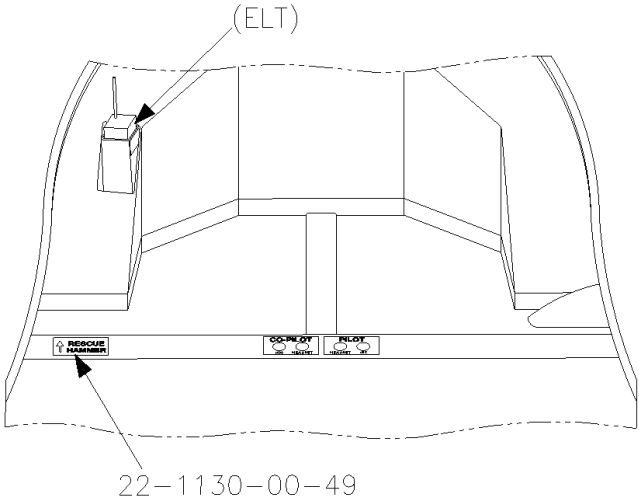


Figure 2:

- 10.1** Replace the following standard English external placards with illuminated English placards as shown in Figures 3 and 4.

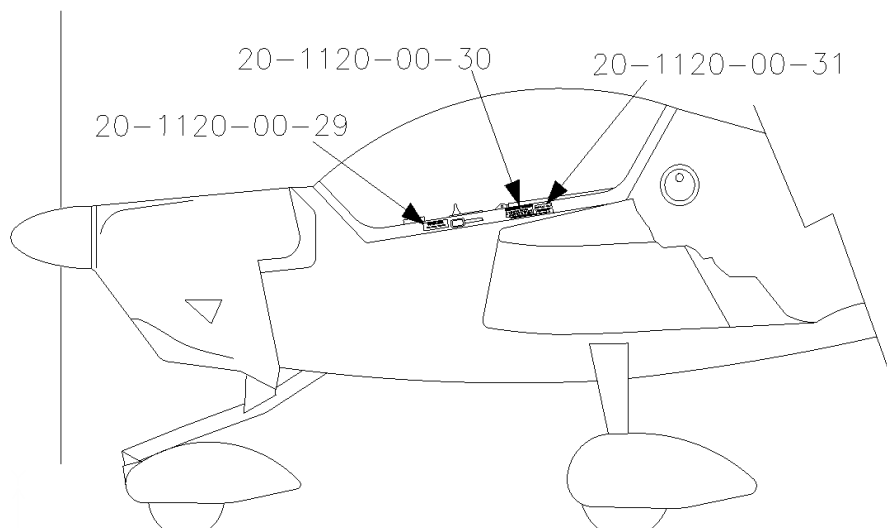


Figure 3:

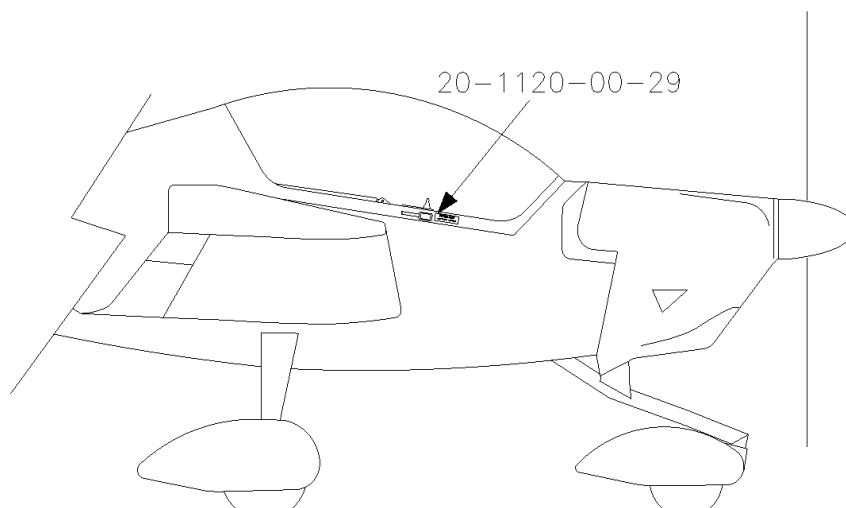


Figure 4:

- 10.2** Clean the work area and inspect for foreign objects.
- 10.3** Make a log book entry that this Service Bulletin has been incorporated.

SERVICE BULLETIN



Service Bulletin No.: DA20-92-04 Rev 0

Date Issued: 27 May 2013

Title: Installation of Photo Luminescent Placards

Page: 4 of 4

- 11. Weight and Balance:** The incorporation of these placards has a negligible effect on the weight and balance of the aircraft.
- 12. Availability:** Contact Diamond Aircraft Industries Inc., Canada
- 13. Electrical Load Data:** No impact to the electrical load.
- 14. Credit:** None

To obtain satisfactory results, procedures specified in this service bulletin must be accomplished in accordance with accepted methods and current government regulations. Diamond Aircraft Industries Inc. cannot be responsible for the quality of work performed in accomplishing the requirements of this service bulletin. Diamond Aircraft reserves the right to void continued warranty coverage in the area affected by this Service Bulletin if it is not incorporated. If you no longer own the aircraft to which this service bulletin applies, please forward it to the current owner and send the name of the current owner to Diamond Aircraft Industries, Inc., at the address below.

Diamond Aircraft Industries Inc. 1560 Crumlin Sideroad, London, Ontario, Canada N5V 1S2

*Customer Support: Phone: (519) 457-4041 Fax: (519) 457-4045 Email: custsupp@diamondair.com
Technical Publications: Phone: (519) 457-4030 Ext. 3173 Email: Techpubs@diamondair.com*