

SERVICE BULLETIN



Service Bulletin No.: DA20-74-01 Rev 0

Date Issued: 28 Sept 2011

Title: Activation of an Advanced Start Module

Page: 1 of 4

- 1. ATA Code:** 7420
- 2. Effectively:** This Service Bulletin applies to all DA20-A1 aircraft with either of the following:
- ROTAX 912 S engine serial numbers 4,923.847 (or greater) installed.
 - ROTAX 912 engine installed on aircraft complying with ROTAX Service Instruction SI-912-020 Section 74-00-00 Subsection 1 (R3 or later approved revision) in the installation of the SMD Electronics Module.
- 3. General:** This Service Bulletin addresses the activation of an advanced starting module to improve the start behavior of the 912 engines.
- 4. Compliance:** Compliance with this Service Bulletin is recommended.
- 5. Approval:** Engineering data referenced or contained in this Service Bulletin is approved as part of the type design.
- 6. Labor:** Approximately 1 hour will be required to accomplish this service bulletin.

This estimate is for direct labor performed by a technician and it does not include setup, planning, familiarization, cure time, part fabrication or tool acquisition.

This estimate does not include labor to implement ROTAX Service Instruction SI-912-020.

- 7. Materials:** In addition to parts defined by ROTAX Service Instruction SI-912-020 Section 74-00-00, Subsection 1, the following materials are required to accomplish this service bulletin.

Part Number	Description	Qty
M22759/16-22-9	Wire, 22 awg	2400mm
MS3367-5-9	Cable Tie	10
1N	Spiral wrap, 1/8"	1200mm
D-436-37	Splice, blue	1
3PS-125-2W	label	4

Materials may be ordered as kit: **DA20-74-01-AMK0**

- 9. Special Tools:** None

SERVICE BULLETIN



Service Bulletin No.: DA20-74-01 Rev 0

Date Issued: 28 Sept 2011

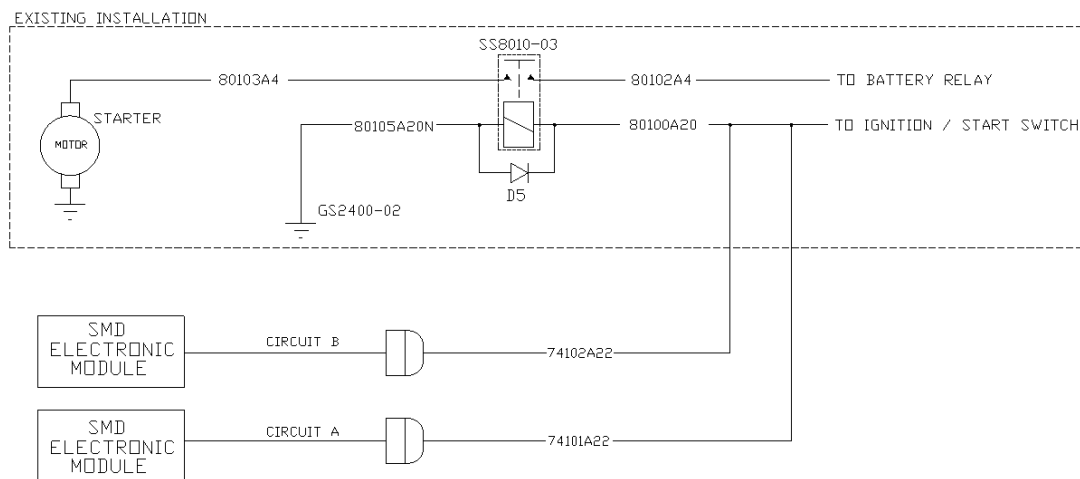
Title: Activation of an Advanced Start Module

Page: 2 of 4

- 10. References:**
- DA20-A1 Aircraft Maintenance Manual, Document # DA201
 - DA20-A1 Flight Manual (AFM) Document number: DA202
 - DA20-A1 Flight Manual (AFM) Document number: DA202-VLA
 - DA20-A1 Flight Manual (AFM) Document number: DA202-100
 - DA20-A1 Flight Manual (AFM) Document number: DA202-100-VLA
 - ROTAX Maintenance Manual No: MMH-912 latest approved revision
 - ROTAX Service Instruction SI-912-020 (R3 or later approved revision)

11. Accomplishment Instructions:

- 11.1. Remove engine cowls.
- 11.2. Disconnect the battery. Refer to AMM, Chapter 24-31.
- 11.3. Prepare two wires (p/n: M22759-16-22-9) each 1200mm long.
- 11.4. Record wire code 74101A22 on two labels provided (3PS-125-2W), apply and shrink onto each end of one wire. Repeat process with second wire and wire code 74102A22. See schematic below for reference.



- 11.5. Crimp the cable grommet (Rotax p/n: 260130) and the faston connector (Rotax p/n: 265275) onto one end of each wire.

NOTE: If required, Rotax parts may be acquired through a Rotax distributor.

SERVICE BULLETIN

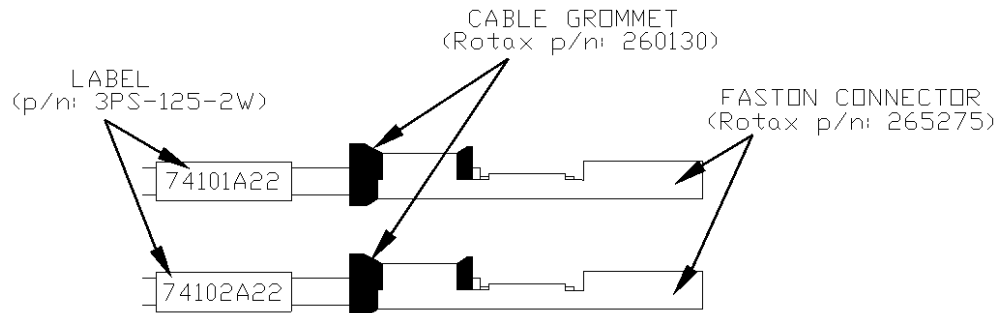


Service Bulletin No.: DA20-74-01 Rev 0

Date Issued: 28 Sept 2011

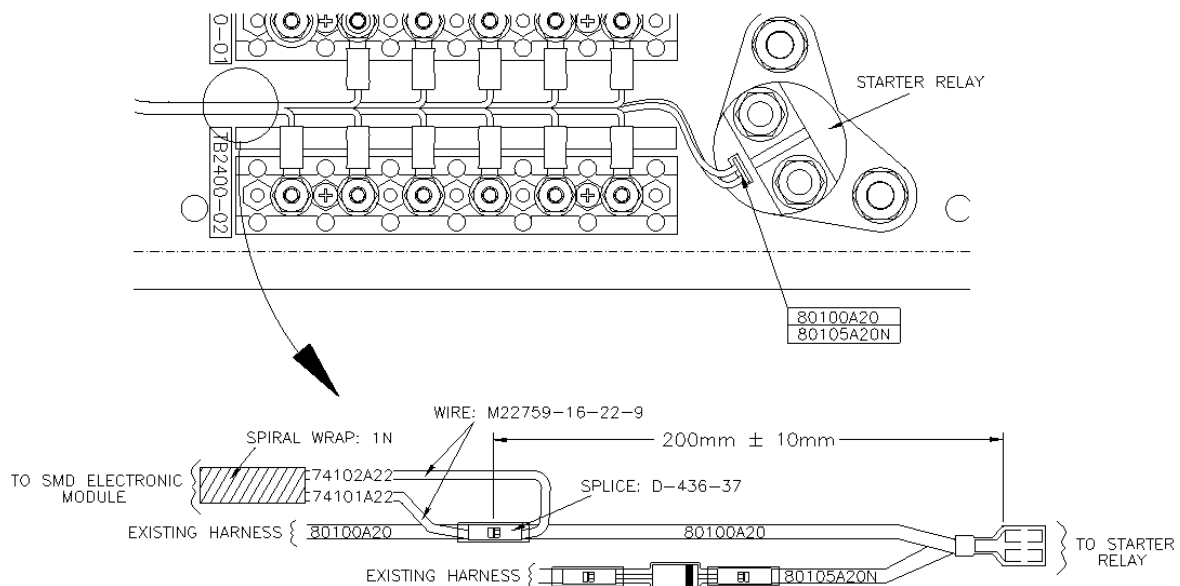
Title: Activation of an Advanced Start Module

Page: 3 of 4



- 11.6. Remove the rubber plug from the engine harness side of the 6-pin connectors located at the SMD electronic modules (circuit A and B) and insert the faston crimped wires. Refer to ROTAX Service Instruction SI-912-020, Section 74-00-00 Subsection 1.
- 11.7. Install spiral wrap (p/n: 1N) around both wires.
- 11.8. Route wires along existing harness to junction box located on firewall.
- 11.9. Cut existing 80100A20 wire at 200mm from STARTER relay.
- 11.10. Cut 74101A22 and 74102A22 wires to required length and splice (p/n: D-436-37) into 80100A20 wire. See below.

NOTE: Ensure wire code labels are not removed when wires 74101A22 and 74102A22 are cut to length.



SERVICE BULLETIN



Service Bulletin No.: DA20-74-01 Rev 0

Date Issued: 28 Sept 2011

Title: Activation of an Advanced Start Module

Page: 4 of 4

- 11.11. Secure wires using supplied cable ties. Use aircraft standards and practices for routing.
- 11.12. Re-connect aircraft battery. Refer to AMM, Chapter 24-31.
- 11.13. Clean working area and check for foreign objects.
- 11.14. Install engine cowl.
- 11.15. Perform engine ground run check in accordance with aircraft flight manual (AFM).
- 11.16. Insert DA201-A1 TR 92-02 temporary revision into AMM DA201-A1 revision 14, or use subsequent revisions
- 11.17. Make a log book entry that this Service Bulletin has been incorporated.

12. Weight and Balance: Negligible

13. Availability: Contact Diamond Aircraft Industries Inc.

14. Electrical Load Data: No impact to the electrical load.

15. Credit: None

To obtain satisfactory results, procedures specified in this service bulletin must be accomplished in accordance with accepted methods and current government regulations. Diamond Aircraft Industries Inc. cannot be responsible for the quality of work performed in accomplishing the requirements of this service bulletin. Diamond Aircraft reserves the right to void continued warranty coverage in the area affected by this Service Bulletin if it is not incorporated. If you no longer own the aircraft to which this service bulletin applies, please forward it to the current owner and send the name of the current owner to Diamond Aircraft Industries, Inc., at the address below.

Diamond Aircraft Industries Inc. 1560 Crumlin Sideroad, London, Ontario, Canada N5V 1S2

*Customer Support: Phone: (519) 457-4041 Fax: (519) 457-4045 Email: custsupp@diamondair.com
Technical Publications: Phone: (519) 457-4030 Ext. 3173 Email: Techpubs@diamondair.com*

COPYRIGHT 2010