

ALERT SERVICE BULLETIN



Service Bulletin No.: DA20-53-02 Rev 0

Date Issued: 5 February, 1999

Title: A-Bolt Washer Size

Page: 1 of 3

DIAMOND AIRCRAFT HIGHLY RECOMMENDS COMPLIANCE

1. **ATA Code:** 5310
2. **Effectivity:** DA20-A1 aircraft.
3. **General:** This service bulletin addresses an inspection requirement to ensure that the proper size washers are installed on the A-Bolts.
An incorrect part call-out in the Illustrated Parts Catalogue (Doc. # DA203, Chpt. 53), may have resulted in incorrect washer installation.
4. **Compliance:** Compliance with this Service Bulletin is urgently recommended within the next 10 flight hours.
5. **Approval:** Engineering data referenced or contained in this Service Bulletin is approved as part of the type design.
6. **Labour:** Approximately .5 hour will be required to accomplish this service bulletin.
This estimate is for direct labor performed by a technician and it does not include setup, planning, familiarization, cure time, part fabrication or tool acquisition.
7. **Material:**

Part Number	Description	Qty
MS16212-13	Washer, Flat	2
MS21044N6	Nut, Self-locking	2

Procure parts listed above locally.
8. **Special Tools:** N/A
9. **References:** DA20 Maintenance Manual, Document number DA201.
10. **Accomplishment Instructions:**
 - 10.1 Remove seats from the aircraft (reference DA201).
 - 10.2 Measure outside diameter of A-Bolt washers.
Correct installation is shown in Figure 1.
 - 10.3 If diameter is not greater than 5/8", remove existing nuts and washers and replace with new washers (P/N MS16212-13) and new nuts (P/N MS21044N6). Torque nuts to 15.4 ft.lbs. (20.8 Nm).
 - 10.4 Reinstall seats (reference DA201).

ALERT SERVICE BULLETIN



Service Bulletin No.: DA20-53-02 Rev 0

Date Issued: 5 February, 1999

Title: A-Bolt Washer Size

Page: 2 of 3

11. Weight and Balance:

The weight and balance is not affected by this Service Bulletin.

12. Availability:

No parts or labor credit is available for this ASB. Contact Diamond Aircraft customer support if you require additional information.

To obtain satisfactory results, procedures specified in this service bulletin must be accomplished in accordance with accepted methods and current government regulations. Diamond Aircraft Industries Inc. cannot be responsible for the quality of work performed in accomplishing the requirements of this service bulletin. Diamond Aircraft reserves the right to void continued warranty coverage in the area affected by this Service Bulletin if it is not incorporated.

If you no longer own the aircraft to which this service bulletin applies, please forward it to the current owner and send the name of the current owner to Diamond Aircraft Industries, Inc., at the address below

Diamond Aircraft Industries Inc. 1560 Crumlin Sideroad, London, Ontario, Canada N5V 1S2
Phone: (519) 457-4041 Fax: (519) 457-4045

ALERT SERVICE BULLETIN



Service Bulletin No.: DA20-53-02 Rev 0

Date Issued: 5 February, 1999

Title: A-Bolt Washer Size

Page: 3 of 3

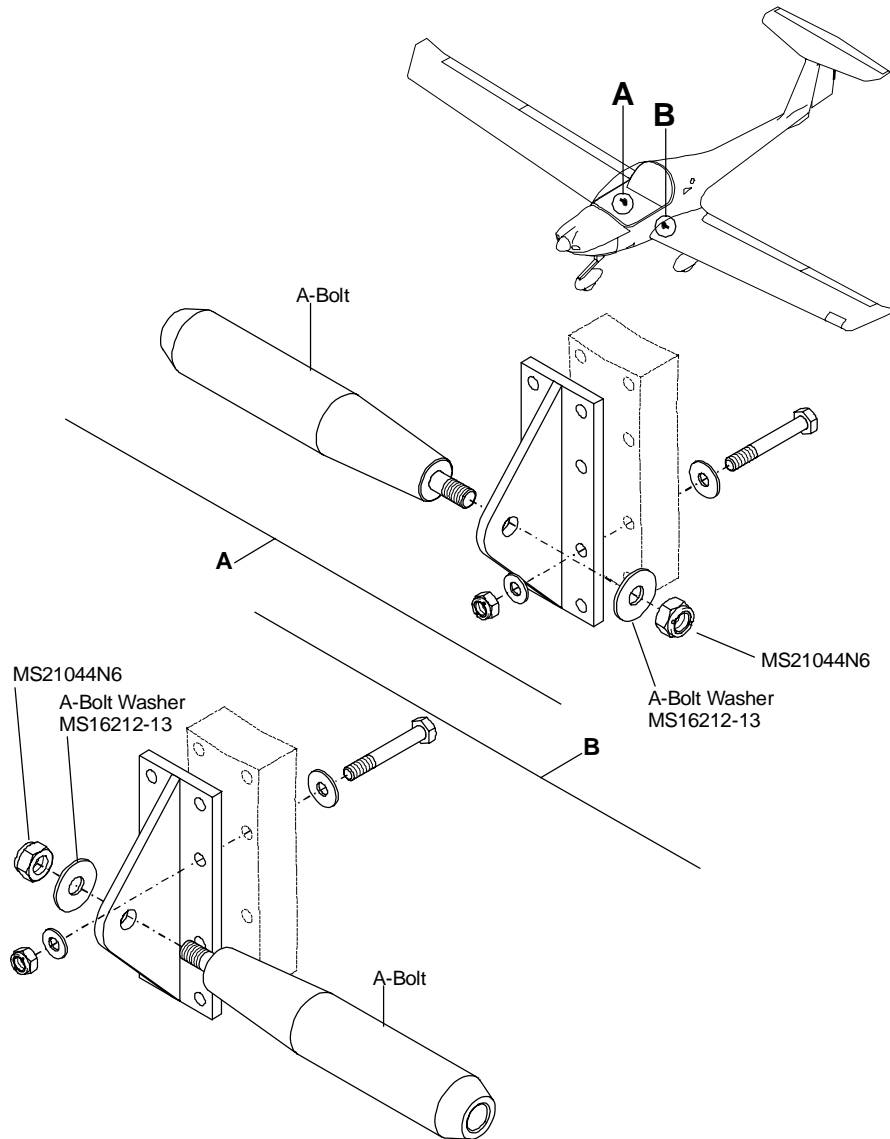


Figure 1